

LM1262

LM1262 200 MHz I²C Compatible RGB Video Amplifier System with OSD and DACs



Literature Number: SNOSA08

LM1262

200 MHz I²C Compatible RGB Video Amplifier System with OSD and DACs

General Description

The LM1262 pre-amp is an integrated CMOS CRT pre-amp. The IC is I²C compatible, and allows control of all the parameters necessary to directly setup and adjust the gain and contrast in the CRT display. Brightness and bias can be controlled through the DAC outputs, and is well matched to the LM2479 and LM2480 integrated bias clamp IC.

The LM1262 pre-amp is designed to work in cooperation with the LM246X high gain driver family.

Black level clamping of the signal is carried out directly on the AC coupled input signal into the high impedance preamplifier input, thus eliminating the need for additional black level clamp capacitors.

The IC is packaged in an industry standard 24-lead DIP molded plastic package.

Features

- I²C compatible interface

- 4 external 8-bit DACs for bus controlled Bias and Brightness
- Vertical blank from sandcastle or input at pin 13 OR'ed with horz. blank signal, option selected by I²C
- Contrast and brightness updates synchronous with vertical blank, enabled by I²C
- Video set to black level through I²C
- Suitable for use with discrete or integrated clamp, with software configurable Brightness mixer
- Power Save (Green) Mode, 80% power reduction
- Matched to 11-lead LM246X driver

Applications

- High end 19" and 21" bus controlled monitors with OSD
- 1600 X 1200, 85 Hz or higher applications
- Low cost and high performance system with LM246X driver

Block and Connection Diagram

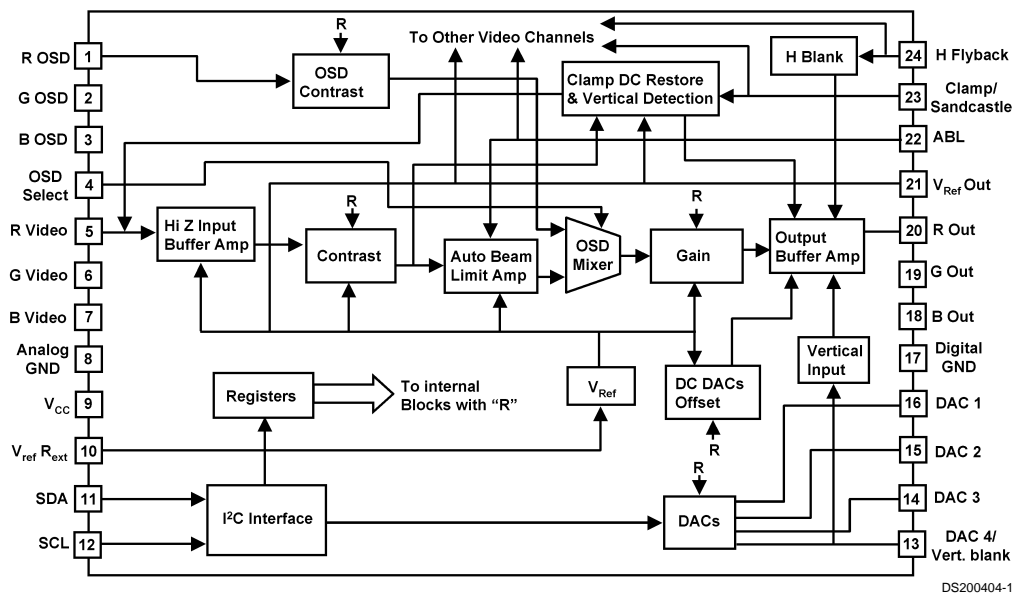


FIGURE 1. Order Number LM1262NA
See NS Package Number N24D

LM1262 200 MHz I²C Compatible RGB Video Amplifier System with OSD and DACs

Absolute Maximum Ratings (Notes 1, 3)

If Military/Aerospace specified devices are required, please contact the National Semiconductor Sales Office/Distributors for availability and specifications.

Supply Voltage, Pin 9	6.0V
Peak Video Output Source Current (Any One Amp) Pins 18, 19, or 20	28 mA
Voltage at Any Input Pin (V_{IN})	$V_{CC} + 0.5 >$ $V_{IN} > -0.5V$
Power Dissipation (P_D) (Above 25°C Derate based on θ_{JA} and T_J)	2.4W
Thermal Resistance to Ambient (θ_{JA})	51°C/W

Thermal Resistance to Case (θ_{JC})	32°C/W
Junction Temperature (T_J)	150°C
ESD Susceptibility (Note 4)	3.5 kV
ESD Machine Model (Note 5)	350V
Storage Temperature	-65°C to +150°C
Lead Temperature (Soldering, 10 sec.)	265°C

Operating Ratings (Note 2)

Temperature Range	0°C to 70°C
Supply Voltage (V_{CC})	4.75V < V_{CC} < 5.25V
Video Inputs	0.0V < V_{IN} < 1.0V _{P-P}

Active Video Signal Electrical Characteristics

Unless otherwise noted: $T_A = 25^\circ\text{C}$, $V_{CC} = +5\text{V}$, $V_{IN} = 0.7\text{V}$, $V_{ABL} = V_{CC}$, $C_L = 5\text{ pF}$, Video Signal Output = 2V_{P-P}.

Symbol	Parameter	Conditions	Min (Note 7)	Typ (Note 6)	Max (Note 7)	Units
I_S	Maximum Supply Current	Test Setting 1, $R_L = \infty$ (Note 8)		170	230	mA
I_{S-PS}	Maximum Supply Current, Power Save Mode	Test Setting 1, $R_L = \infty$, Bit 1 of Reg. 9 = 1 (Note 8)		45		mA
LE	Linearity Error	Test Setting 4, Triangular signal input source (Note 9)		5		%
$V_{O\text{ Blk Typ}}$	Typical Video Black Level Output	Test Setting 4, No AC Input Signal	0.9	1.1	1.3	VDC
$V_{O\text{ Blk Step}}$	Video Black Level Step Size	Test Setting 4, No AC Input Signal	80	110	140	mV
$V_{O\text{ White-Max}}$	White Level Video Output Voltage	Test Setting 3, Video in = 0.7V	4.0	4.3		V
V_{Blank}	Blanked Output Level	Test Setting 4, AC Input Signal	0	0.05	0.2	V
t_r	Rise Time	10% to 90%, Test Setting 4, AC Input Signal (Note 10)		1.9		ns
OS_R	Overshoot (Rising Edge)	Test Setting 4, AC Input Signal (Note 10)		6		%
t_f	Fall Time	90% to 10%, Test Setting 4, AC Input Signal (Note 10)		2.0		ns
OS_F	Overshoot (Falling Edge)	Test Setting 4, AC Input Signal (Note 10)		8		%
f(-3 dB)	Video Amplifier Bandwidth (Note 13)	Test Setting 4, $V_O = 2V_{P-P}$		200		MHz
$V_{\text{sep}} 10\text{kHz}$	Video Amplifier 10 kHz Isolation	Test Setting 8 (Note 14)		-70		dB
$V_{\text{sep}} 10\text{MHz}$	Video Amplifier 10 MHz Isolation	Test Setting 8 (Note 14)		-50		dB
$A_{V\text{ Max}}$	Maximum Voltage Gain	Test Setting 8, AC Input Signal	3.90	4.15	4.40	V/V
$A_{V\ 1/2}$	Contrast @ 50% Level	Test Setting 5, AC Input Signal		-10		dB
$A_{V\text{ Min}}$	Maximum Contrast Attenuation	Test Setting 2, AC Input Signal		-20		dB
$A_{V\text{ Gain } 1/2}$	Gain @ 50% Level	Test Setting 6, AC Input Signal		-5		dB
$A_{V\text{ Gain Min}}$	Maximum Gain Attenuation	Test Setting 7, AC Input Signal		-10		dB
$A_{V\text{ Match}}$	Absolute Gain Match @ $A_{V\text{ Max}}$	Test Setting 3, AC Input Signal		±0.5		dB
$A_{V\text{ Track}}$	Gain Change between Amplifiers	Tracking when changing from Test Setting 8 to Test Setting 5 (Note 11)		±0.5		dB

Active Video Signal Electrical Characteristics (Continued)

Unless otherwise noted: $T_A = 25^\circ\text{C}$, $V_{CC} = +5\text{V}$, $V_{IN} = 0.7\text{V}$, $V_{ABL} = V_{CC}$, $C_L = 5\text{ pF}$, Video Signal Output = $2V_{P-P}$.

Symbol	Parameter	Conditions	Min (Note 7)	Typ (Note 6)	Max (Note 7)	Units
$V_{ABL\ TH}$	ABL Control Upper Limit	Test Setting 4, AC Input Signal (Note 12)		5		V
$V_{ABL\ Range}$	ABL Active Range Control Voltage	Test Setting 4, AC Input Signal (Note 12)		2.7		V
ΔA_{ABL}	ABL Control Range	Test Setting 4, AC Input Signal (Note 12)	-6	-8		dB
$I_{ABL\ Active}$	ABL Input Bias Current during ABL	Test Setting 4, AC Input Signal, $V_{ABL} = 2\text{V}$ (Note 12)		0	10	μA
$I_{ABL\ Max}$	ABL Input Current Clamp Sink Capability	Test Setting 4, AC Input Signal (Note 12)			1	mA
$V_{Vert\ Bnk\ Off}$	Vertical Blank Gate Low Input Voltage at pin 13	Vertical Blank Comparators Off Register B set to 0x02 (Note 18)			1.0	V
$V_{Vert\ Bnk\ On}$	Vertical Blank Gate High Input Voltage at pin 13	Vertical Blank Comparators On Register B set to 0x02 (Note 18)	2.6			V
$I_{Vert\ Bnk\ Low}$	Vertical Blank Gate Low Input Current at pin 13	$V_{13} = 0\text{V}$, Register B set to 0x02 (Note 18)		-4.0		μA
$I_{Vert\ Bnk\ High}$	Vertical Blank Gate High Input Current at pin 13	$V_{13} = V_{CC}$, Register B set to 0x02 (Note 18) (internal 50k resistor to ground)		100		μA
$V_{Vert\ Bnk\ Off}$	Vertical Blank Gate Low Input Voltage at pin 23	Vertical Blank Comparators Off Register B set to 0x06			0.7	V
$V_{Vert\ Bnk\ On}$	Vertical Blank Gate High Input Voltage at pin 23	Vertical Blank Comparators On Register B set to 0x06 (Note 16)	1.2		3.2	V
$V_{Clamp\ Min}$	Horizontal Clamp Gate High Input Voltage	Horizontal Clamp Comparators On	3.8			V
I_{Clamp}	Clamp Gate Input Current	$V_{23} = 0\text{V}$ to $V_{CC} - 1\text{V}$, Register B set to 0x06	-5	0.1	10	μA
$t_{PW\ Clamp}$	Back Porch Clamp Pulse Width	(Note 15)	200			ns
$t_{Clamp\ Video}$	End of Clamp Pulse to Start of Active Video	Limit is guaranteed by design	200			ns
$t_{PW\ SandClamp}$	Sandcastle Clamp Pulse Width	Horizontal Clamp Comparators On Register B set to 0x06 (Note 16)	0.20		1.20	μsec
$R_{In\ Video}$	Input Resistance	Test Setting (4)		20		$\text{M}\Omega$
$V_{Ref\ Out}$	V_{Ref} Output Voltage	10 k Ω , 1% Resistor; Pin 10 to GND	1.25	1.40	1.55	V
V_{Spot}	Spot Killer Voltage	V_{CC} Adjusted to Activate	3.4	4.0	4.25	V

OSD Electrical Characteristics

Unless otherwise noted: $T_A = 25^\circ\text{C}$, $V_{CC} = +5\text{V}$, $V_{IN} = 0.7\text{V}$, $V_{ABL} = V_{CC}$, $C_L = 5\text{ pF}$, Video Signal Output = $2V_{P-P}$, Test Setting 8.

Symbol	Parameter	Conditions	Min (Note 7)	Typ (Note 6)	Max (Note 7)	Units
V_{OSD-L}	OSD Input Low Input Operating Range	OSD Inputs are Selected			1.2	V
V_{OSD-H}	OSD Input High Input Operating Range	OSD Inputs are Selected	2.5			V
I_{OSD}	OSD Input Current	$V_{OSD} = 0\text{V}$ to $V_{CC} - 1\text{V}$	-5	0.1	10	μA

OSD Electrical Characteristics (Continued)

Unless otherwise noted: $T_A = 25^\circ\text{C}$, $V_{CC} = +5\text{V}$, $V_{IN} = 0.7\text{V}$, $V_{ABL} = V_{CC}$, $C_L = 5\text{ pF}$, Video Signal Output = $2V_{P-P}$, Test Setting 8.

Symbol	Parameter	Conditions	Min (Note 7)	Typ (Note 6)	Max (Note 7)	Units
$V_{\text{OSD-Sel-L}}$	OSD Select Low Input Operating Range	Video Inputs are Selected			1.2	V
$V_{\text{OSD-Sel-H}}$	OSD Select High Input Operating Range	OSD Inputs are Selected	3.5			V
$I_{\text{OSD-Sel}}$	OSD Select Input Current	$V_{\text{OSD-Sel}} = 0\text{V to } V_{CC} - 1\text{V}$	-5	0.1	10	μA
$\Delta V_{\text{O-OSD(Blk)}}$	OSD Δ Black Level Output Voltage, Difference from Video Output	Register 08 = 18, Minimum Video Black Level		± 45	± 150	mV
$V_{\text{O-OSD(Blk)}}$	Range of OSD Black Level Output Voltage between the 3 Channels	Register 08 = 18, Minimum Video Black Level	-100	0	+100	mV
$V_{\text{OSD-out}}$	OSD Output Voltage, Percent of Maximum Video Out	Register 08 = 18, Minimum Video Black Level	85	95	105	%
$\Delta V_{\text{OSD-out}}$	OSD Output V_{P-P} Attenuation	Register 08 = 08	52	57	62	%
$V_{\text{OSD-out (Match)}}$	Output Match between Channels	Register 08 = 18		± 5.0		%
$V_{\text{OSD-out (Track)}}$	Output Variation between Channels	Register 08 Changed from 18 to 08		± 3.0	± 5.0	%
$\Delta t_{\text{OSD/OSD S}}$	Output Skew Time between OSD and OSD Select	Measured from 50% Point on all Waveforms		± 2.0		ns
$V_{\text{feed } 10\text{ kHz}}$	Video Feedthrough into OSD	OSD Inputs = 0V		-70		dB
$V_{\text{feed } 10\text{ MHz}}$	Video Feedthrough into OSD	OSD Inputs = 0V		-60		dB

External DAC Signals Electrical Characteristics

Unless otherwise noted: $T_A = 25^\circ\text{C}$, $V_{CC} = +5\text{V}$, $V_{IN} = 0.7\text{V}$, $V_{ABL} = V_{CC}$, $C_L = 5\text{ pF}$, Video Signal Output = $2V_{P-P}$. The following apply for all four external DACs.

Symbol	Parameter	Conditions	Min (Note 7)	Typ (Note 6)	Max (Note 7)	Units
$V_{\text{Min DAC}}$	Min DAC Output Voltage	Value = 00h		0.5	0.75	V
$V_{\text{Max DAC Mode 00}}$	Max DAC Output Voltage	Value = FFh, DCF[1:0] = 00h (no load)	3.6	4.2		V
$V_{\text{Max DAC Mode 11}}$	Max Output Voltage of DACs 1-3 in DCF Mode 11	Value = FFh, DCF[1:0] = 11h, DAC4 Value = 00h	2.05	2.40	2.75	V
$\Delta V_{\text{Max DAC (Temp)}}$	Variation of any DAC output voltage with temperature	$0^\circ\text{C} < T < 70^\circ\text{C}$ ambient		± 0.5		mV/deg
$\Delta V_{\text{Max DAC (V}_{CC})}$	Variation of any DAC output voltage with V_{CC}	$4.75\text{V} < V_{CC} < 5.25\text{V}$		± 50		mV/V
Linearity	Linearity of DAC Over its Range			5		%
Monotonicity	Monotonicity of the DAC	Excluding dead zones at limits of DAC		± 0.5		LSB

External Interface Signals Electrical Characteristics

Unless otherwise noted: $T_A = 25^\circ\text{C}$, $V_{CC} = +5\text{V}$, $V_{IN} = 0.7\text{V}$, $V_{ABL} = V_{CC}$, $C_L = 5\text{ pF}$, Video Output = $2V_{P-P}$.

Symbol	Parameter	Conditions	Min (Note 7)	Typ (Note 6)	Max (Note 7)	Units
$V_{\text{l(I}^2\text{C)}}$	I ² C Low Input Voltage	SDA or SCL Inputs			1.5	V
$V_{\text{h(I}^2\text{C)}}$	I ² C High Input Voltage	SDA or SCL Inputs	3.0			V

External Interface Signals Electrical Characteristics (Continued)

Unless otherwise noted: $T_A = 25^\circ\text{C}$, $V_{CC} = +5\text{V}$, $V_{IN} = 0.7\text{V}$, $V_{ABL} = V_{CC}$, $C_L = 5\text{ pF}$, Video Output = $2V_{P-P}$.

Symbol	Parameter	Conditions	Min (Note 7)	Typ (Note 6)	Max (Note 7)	Units
$t_{H\text{-Blank on}}$	H-Blank Time Delay from Zero Crossing Point of H Flyback	Rising Edge of the Flyback Signal		50		ns
$t_{H\text{-Blank off}}$	H-Blank Time Delay from Zero Crossing Point of H Flyback	Falling Edge of the Flyback Signal		50		ns
$I_{In\text{ Threshold}}$	I_{In} H-Blank Detection Threshold			-20		μA
$I_{In\text{-Operating}}$	Minimum—Insure Normal Operation Maximum—Should Not Exceed in Normal Operation	Lowest Operating Horizontal Frequency in Given Application (Note 17)	-30		-300	μA
$I_{In\text{ Flyback}}$	Peak Current during Flyback Period, Recommended Design Range	Operating Range for all Horizontal Scan Frequencies, Maximum Current Should Not Exceed 2 mA (Note 17)	0.5	1.5	2.0	mA

Note 1: Limits of Absolute Maximum Ratings indicate limits below which damage to the device must not occur.

Note 2: Limits of operating ratings indicate required boundaries of conditions for which the device is functional, but may not meet specific performance limits.

Note 3: All voltages are measured with respect to GND, unless otherwise specified.

Note 4: Human body model, 100 pF discharged through a 1.5 k Ω resistor.

Note 5: Machine Model ESD test is covered by specification EIAJ IC-121-1981. A 200 pF cap is charged to the specified voltage, then discharged directly into the IC with no external series resistor (resistance of discharge path must be under 50 Ω).

Note 6: Typical specifications are specified at +25 $^\circ\text{C}$ and represent the most likely parametric norm.

Note 7: Tested limits are guaranteed to National's AOQL (Average Outgoing Quality Level).

Note 8: The supply current specified is the quiescent current for V_{CC} with $R_L = \infty$. Load resistors are not required and are not used in the test circuit, therefore all the supply current is used by the pre-amp.

Note 9: Linearity Error is the variation in step height of a 16 step staircase input signal waveform with 0.7 V_{P-P} level at the input, subdivided into 16 equal steps, with each step approximately 100 ns in width.

Note 10: Input from signal generator: $t_r, t_f < 1\text{ ns}$. Scope and generator response used for testing: $t_r = 1.1\text{ ns}$, $t_f = 0.9\text{ ns}$. Using the RSS technique the scope and generator response have been removed from the output rise and fall times.

Note 11: ΔA_V track is a measure of the ability of any two amplifiers to track each other and quantifies the matching of the three gain stages. It is the difference in gain change between any two amplifiers with the contrast set to $A_V 1/2$ and measured relative to the A_V max condition. For example, at A_V max the three amplifiers' gains might be 12.1 dB, 11.9 dB, and 11.8 dB and change to 2.2 dB, 1.9 dB and 1.7 dB respectively for contrast set to $A_V 1/2$. This yields a typical gain change of 10.0 dB with a tracking change of $\pm 0.2\text{ dB}$.

Note 12: ABL should provide smooth decrease in gain over the operational range of 0 dB to -6 dB

$$\Delta A_{ABL} = A(V_{ABL} = V_{ABL\text{ Max Gain}}) - A(V_{ABL} = V_{ABL\text{ Min Gain}})$$

Beyond -6 dB the gain characteristics, linearity, pulse response, and/or behavior may depart from normal values.

Note 13: Adjust input frequency from 10 MHz (A_V max reference level) to the -3 dB corner frequency ($f_{-3\text{ dB}}$).

Note 14: Measure output levels of the other two undriven amplifiers relative to the driven amplifier to determine channel separation. Terminate the undriven amplifier inputs to simulate generator loading. Repeat test at $f_{IN} = 10\text{ MHz}$ for $V_{sep\ 10\text{ MHz}}$.

Note 15: A minimum pulse width of 200 ns is guaranteed for a horizontal line of 15 kHz. This limit is guaranteed by design. If a lower line rate is used then a longer clamp pulse may be required.

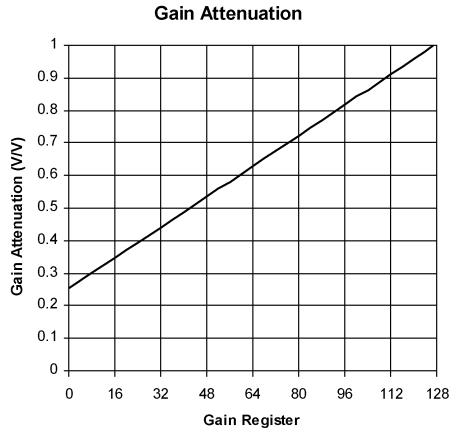
Note 16: The internal circuit detects the vertical blank only when this signal is present in the sandcastle input. There is typically an 800 nsec delay in detecting the vertical blank signal. If only the horizontal clamp is present the vertical blank will not be activated. Rise and fall times of the sandcastle input signal should be 10 nsec or faster.

Note 17: Limits met by matching the external resistor going to pin 24 to the H Flyback voltage.

Note 18: A 4.7 k Ω resistor must be in series with pin 13 when this pin is the input for vertical blanking. When the LM1262 is first turned on the default condition for pin 13 is for the DAC4 output. Under this condition pin 13 will be damaged by the vertical blanking input if a series resistor is not used.

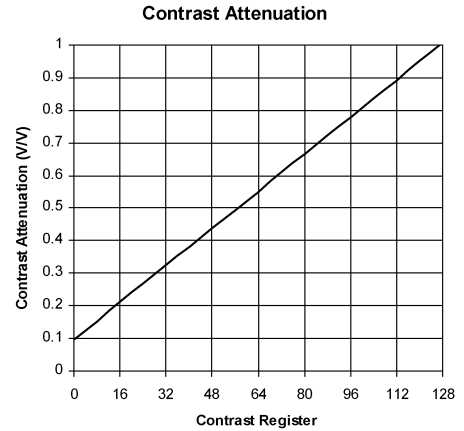
Typical Performance Characteristics $V_{CC} = 5V, T_A = 25^\circ C$ unless otherwise specified.

Gain Attenuation



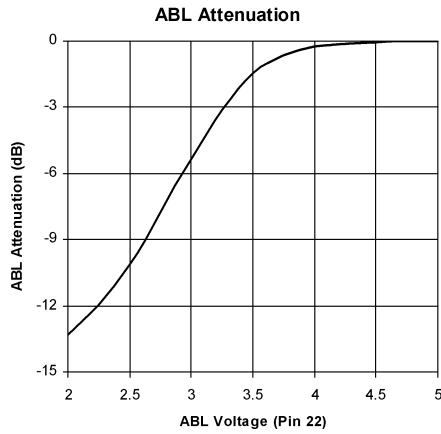
DS200404-2

Contrast Attenuation



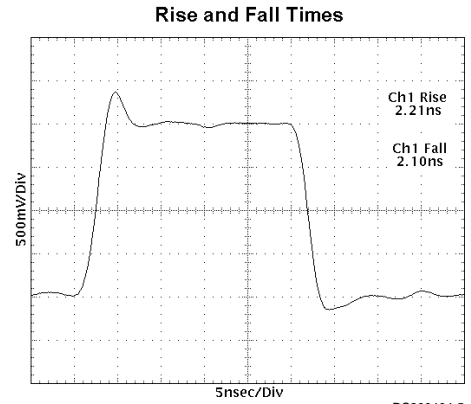
DS200404-3

ABL Attenuation



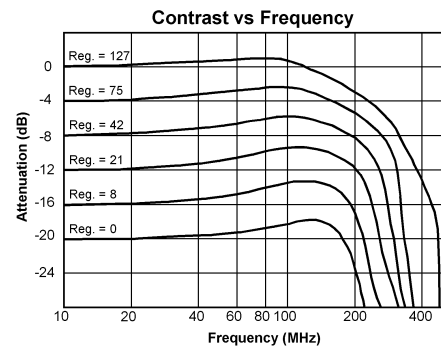
DS200404-4

Rise and Fall



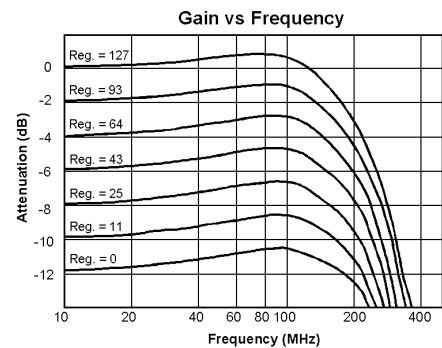
DS200404-5

Contrast vs Frequency



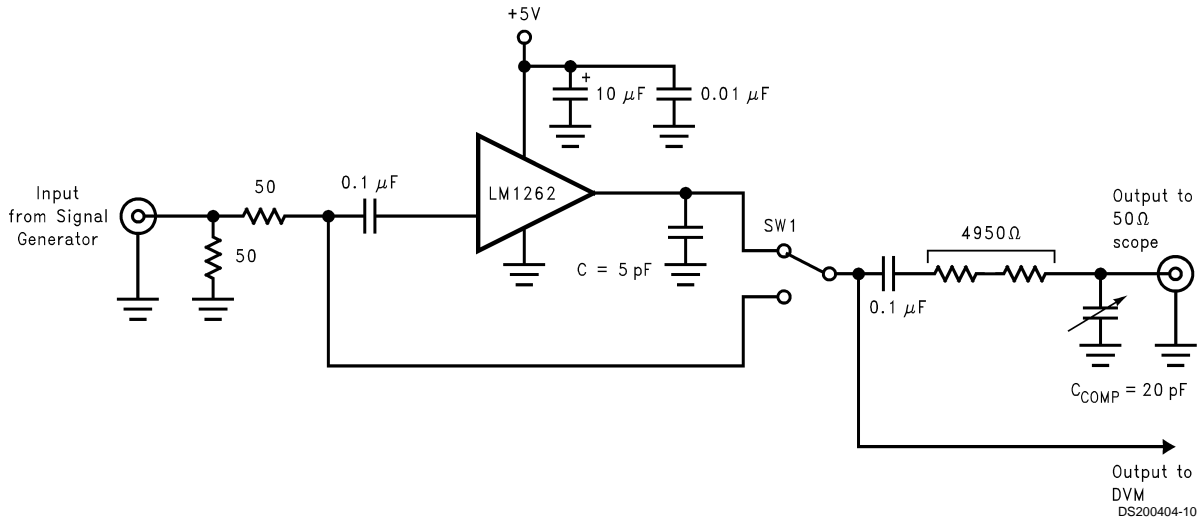
DS200404-6

Gain vs Frequency



DS200404-7

Test Circuit

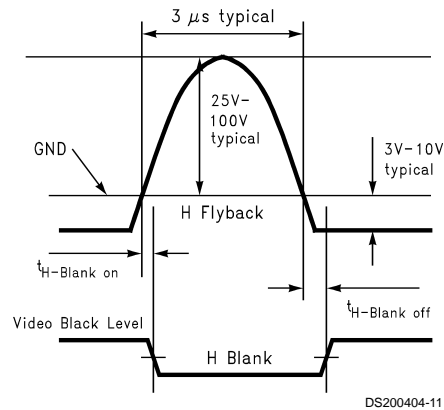


Note: 5pF load includes parasitic capacitance.

Test Settings

Control	No. of Bits	Basic Test Setting 1	Basic Test Setting 2	Basic Test Setting 3	Basic Test Setting 4	Basic Test Setting 5	Basic Test Setting 6	Basic Test Setting 7	Basic Test Setting 8
Contrast	7	Max (Hex 7F)	Min (Hex 00)	Max (Hex 7F)	Max (Hex 7F)	50% (Hex 40)	Max (Hex 7F)	Max (Hex 7F)	Max (Hex 7F)
R, G, B Gain	7	Max (Hex 7F)	Max (Hex 7F)	Max (Hex 7F)	Set Video Output to 2V _{P-P}	Max (Hex 7F)	50% (Hex 40)	Min (Hex 00)	Max (Hex 7F)
Video DC Offset & OSD Cont.	5	Min (Hex 18)	Min + 0.5V (Hex 1D)	Max (Hex 07)	Min + 0.5V (Hex 1D)	Min + 0.5V (Hex 1D)	Min + 0.5V (Hex 1D)	Min + 0.5V (Hex 1D)	Min + 0.5V (Hex 1D)

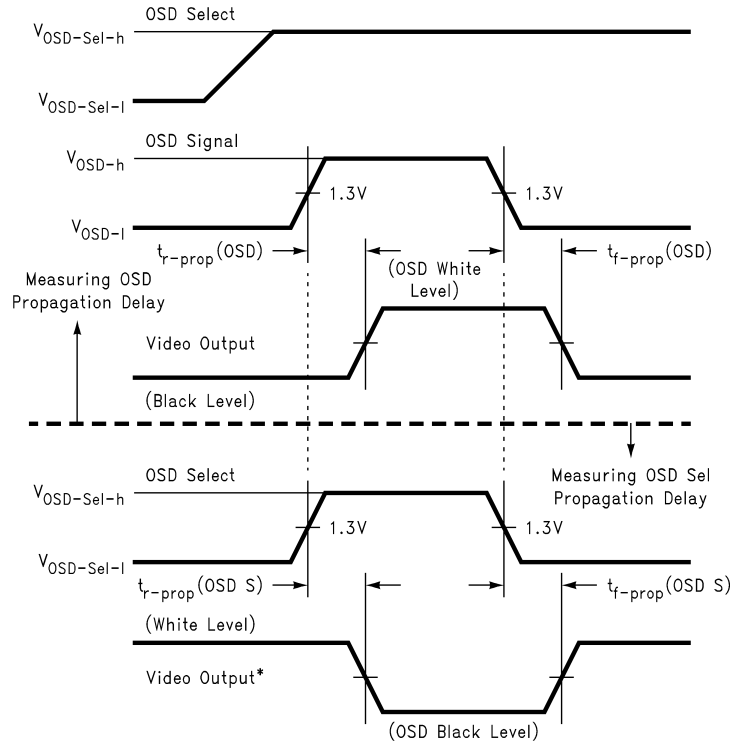
Timing Diagrams



DS200404-11

FIGURE 2. Blanking Propagation Delay

Timing Diagrams (Continued)



*OSD Signal (V_{OSD-l}) = black level and Video input = white level

$$\Delta t_{OSD/OSD S} \text{ (OSD output skew)} = t_{r-prop}(\text{OSD}) - t_{r-prop}(\text{OSD S}) \text{ and}$$

$$\Delta t_{OSD/OSD S} \text{ (OSD output skew)} = t_{f-prop}(\text{OSD}) - t_{f-prop}(\text{OSD S})$$

DS200404-12

FIGURE 3. OSD Output Skew

Pin Descriptions

Pin No.	Pin Name	Schematic	Description
1 2 3	Red OSD Input Green OSD Input Blue OSD Input	<p>* ESD Protection Diode</p>	These inputs accept standard TTL or CMOS inputs. Each color is either fully on (logic high) or fully off (logic low). Unused pins should be connected to ground with a 47k resistor.
4	OSD Select	<p>* ESD Protection Diode</p>	This input accepts a standard TTL or CMOS input. H = OSD L = Video Connect to ground with a 47k resistor if not using OSD.

Pin Descriptions (Continued)

Pin No.	Pin Name	Schematic	Description
5 6 7	Red Video In Green Video In Blue Video In	<p>* ESD Protection Diode</p>	Video inputs. These inputs must be AC coupled with a 4.7 nF cap. DC restoration is done at these inputs. A series resistor of about 33 Ω and external ESD protection diodes should also be used for ESD protection.
8	Analog Ground		Ground Pin for the analog circuits of the LM1262.
9	V _{CC}		Power supply pin for LM1262.
10	V _{ref} R _{ext}	<p>* ESD Protection Diode</p>	Sets the internal current sources through a 10 k Ω 1% external resistor. Resistor value and accuracy is critical for optimum operation of the LM1262.
11	SDA	<p>* ESD Protection Diode</p>	The I ² C data line. A pull-up resistor of about 2 k Ω should be connected between this pin and +5V. A 300 Ω resistor should be connected in series with the data line for protection against arcing.
12	SCL	<p>* ESD Protection Diode</p>	The I ² C Clock line. A pull-up resistor of about 2 k Ω should be connected between this pin and +5V. A 300 Ω resistor should be connected in series with the clock line for protection against arcing.
13 14 15 16	DAC4 DAC3 DAC2 DAC1	<p>* ESD Protection Diode</p>	DAC outputs for cathode cut-off adjustments and brightness control. DAC 4 can be set to change the outputs of the other three DACs, acting as the brightness control. The DACs are set through the I ² C bus.
17	Digital Ground		Ground Pin for the digital circuits of the LM1262.

Pin Descriptions (Continued)

Pin No.	Pin Name	Schematic	Description
18 19 20	Blue Video Out Green Video Out Red Video Out	<p>* ESD Protection Diode</p>	Video outputs of the LM1262. The ideal driver for this part is the LM246X CRT driver family, which has the necessary gain of 26 dB or 20 V/V.
21	V _{Ref} Out	<p>* ESD Protection Diode</p>	A 0.1 μF capacitor must be placed close to this pin for decoupling the internal V _{Ref} . This pin may be used for an external voltage reference with proper buffering.
22	ABL	<p>* ESD Protection Diode</p>	The Auto Beam Limit control reduces the gain of the video amplifier in response to a control voltage proportional to the CRT beam current. The ABL acts identically on all three channels. ABL is required for CRT life and X-ray protection.
23	Clamp Pulse	<p>* ESD Protection Diode</p>	This input accepts a standard TTL or CMOS input. The signal can be either positive or negative going. The polarity is set in register 0Bh bit-3. The signal activates the clamp pulse for DC restoration of the video input. The AC coupling capacitors at the video inputs are used for holding the DC correction voltage, eliminating the need for additional capacitors.
24	H Flyback	<p>* ESD Protection Diode</p>	H flyback is an analog signal input from the monitor horizontal scan. The LM1262 is able to generate an accurate blanking pulse in the video outputs from this input. The horizontal flyback from the monitor must be a clean signal, with no ringing or other noise on the signal.

Functional Description

All functions of the LM1262 are controlled through the I²C Bus. Details on the internal registers are covered in the I²C Interface Registers Section. *Figure 1* shows the block diagram of the LM1262. The I²C signals come in on pins 11 and 12 and go to the I²C Interface. Both the internal blocks with an “R” and the four external DACs are controlled by the I²C Interface. The video and OSD blocks are shown for the red channel in *Figure 1*. The blocks for both the green and blue channels are not shown; however, they are identical to the red channel.

Proper operation of the LM1262 does require a very accurate reference voltage. This voltage is generated in the V_{Ref} block. To insure an accurate voltage over temperature, an external resistor is used to set the current in the V_{Ref} stage. The external resistor is connected to pin 10. This resistor should be 1% and have a temperature coefficient under 100 ppm/°C. ALL VIDEO SIGNALS MUST BE KEPT AWAY FROM PIN 10. This pin has a very high input impedance and will pick up any high frequency signals routed near it. The board layout shown in *Figure 10* is a good example of trace routing near pin 10. The output of the V_{Ref} stage goes to a number of blocks in the video section and also to pin 21. This pin allows capacitor filtering on the V_{Ref} output and offers an accurate external reference. A buffer must be used with this reference, the maximum current loading should be only 100 µA.

Note: Any noise injected into pin 21 will appear on the video. The voltage reference must be kept very clean for best performance of the LM1262.

The video inputs are pins 5, 6, and 7. Looking at the red channel (pin 5) note that the “Clamp DC Restore Amp” is connected to this pin. Since the video must be AC coupled to the LM1262, the coupling cap is also used to store the reference voltage for DC restoration. The “Clamp DC Restore Amp” block charges the input capacitor to the correct voltage when the clamp pulse (pin 23) is active. The “Hi Z Input Buffer Amp” buffers the video signal for internal processing. Input impedance to this stage is typically 20 MΩ. With such a high impedance the DC restoration can appear to be working for a number of minutes after the clamp pulse is removed.

The output of the Buffer Amp goes to the Contrast stage. The 7 bit contrast register (03h) sets the contrast level through the I²C bus. This register controls the Contrast stage in each video channel. Contrast adjustment range is up to –20 dB. Loading all zeros in the contrast register gives –20 dB attenuation. All ones will give no attenuation. The output of this stage is used as the feedback for the DC restoration loop.

“Auto Beam Limit Amp” or ABL is the next block in the video path. This is a voltage controlled gain stage which gives no attenuation with 5V at pin 22 and gives about –10 dB attenuation with 2V at pin 2. ABL is covered in more detail later in this section.

Next in the video path is the “OSD Mixer”. The OSD Select signal at pin 4 controls this stage, selecting OSD with a high at pin 4, and video with a low at pin 4. Since the DC restoration feedback is at the Contrast output, the video black level will match the OSD black level. The OSD signal is mixed with the video signal at the output of this stage.

The OSD goes through the “OSD Contrast” stage before entering the “OSD Mixer” block. Bits 3 and 4 of register 08h control the OSD contrast giving four video levels for the OSD

window. Maximum video level for the OSD window occurs with both bits set to one. Minimum video level will occur with both bits set to a zero.

Following the “OSD Mixer” is the “Gain” block. Each video channel has its own independent control of this block so the user can balance the color of the CRT display. Registers 00h, 01h, 02h are used for the gain attenuation. These registers are 7 bits with the maximum attenuation of –10 dB occurring when all zeros are loaded.

The final block in the video path is the “Output Buffer Amp”. This stage provides the drive needed for the inputs of a CRT driver. The recommended driver for this pre-amp is one of the LM246X family. Horizontal blanking is also added to the video signal from the “H Blank” stage. This block is covered in more detail below. DC offset of the output is set by the “DC DACs Offset” stage. Bits 0 through 2 in register 08 control this stage. This gives 8 different black levels ranging from 0.75V to 1.55V. When using one of the LM246X CRT driver family it is recommended that the black level be set to 1.25V.

ABL: The Auto Beam Limit control reduces the gain of the video amplifiers in response to a control voltage proportional to the CRT beam current. The ABL acts on all three channels in an identical manner. This is required for CRT life and X-ray protection. The beam current limit circuit application is as shown in *Figure 4*: when no current is being drawn by the EHT supply, current flows from the supply rail through the ABL resistor and into the ABL input of the IC. The IC clamps the input voltage to a low impedance voltage source (the 5V supply rail).

When current is drawn from the EHT supply, some of the current passing through the ABL resistor goes to the EHT supply, which reduces the current flowing into the ABL input of the IC.

When the EHT current is high enough, the current flowing into the ABL input of the IC drops to zero. This current level determines the ABL threshold and is given by:

$$I_{ABL} = \frac{V_S - V_{ABL TH}}{R_{ABL}}$$

Where:

V_S is the external supply (usually the CRT driver supply rail, about 80V)

V_{ABL TH} is the threshold ABL voltage of the IC

R_{ABL} is the ABL resistor value

I_{ABL} is the ABL limit

When the voltage on the ABL input drops below the ABL threshold of the pre-amp, the gain of the pre-amp reduces, which reduces the beam current. A feedback loop is thus established which acts to prevent the average beam current exceeding I_{ABL}.

Functional Description (Continued)

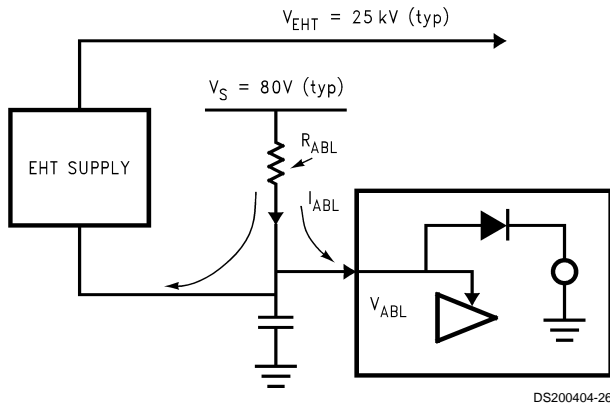


FIGURE 4. ABL

H Flyback: H Flyback is an analog signal input from the monitor horizontal scan. The “H Blank” section uses this signal to add horizontal blanking to the output video signal. This enables the user to blank at the cathodes during horizontal flyback. An optional capacitor and/or resistor to ground may be needed if noise interferes with the H Flyback signal.

This feature gives very accurate timing for the horizontal blanking; however, the flyback signal must be very clean. There should be no ringing or other noise on the flyback signal.

R_{LIMIT} is used to limit the input current into the IC to a typical value of +1 mA during flyback and $-100 \mu\text{A}$ during normal forward scan. For example if an H flyback with a peak of 100V is used, $R_{LIMIT} = 100 \text{ k}\Omega$. The internal input impedance of pin 24 is low to limit the maximum voltage swing at the input to within the supply rail and ground. The IC interface circuit creates a digital signal from this waveform, which is used as the blanking signal at the “Output Buffer Amp”. This signal adds blanking to the video output signal. Figure 5 shows the H flyback waveforms and the location of R_{LIMIT} . A 56 pF capacitor has been added to the H Flyback pin on the demo board for filtering noise on the H Flyback signal.

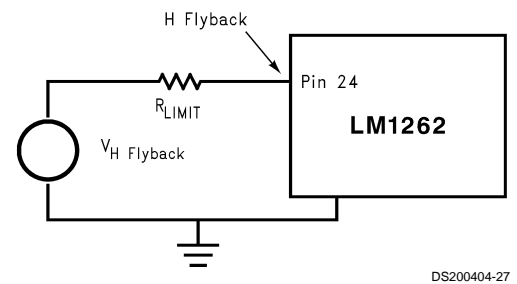
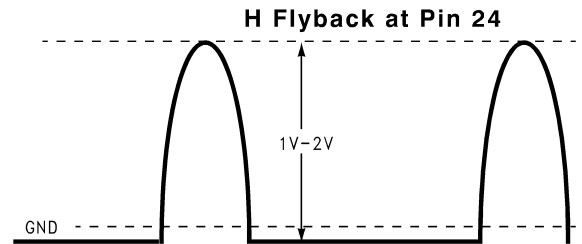
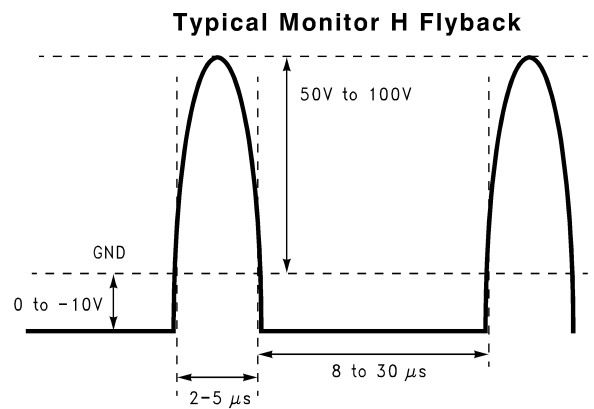


FIGURE 5. H Flyback Input Pulse

H Blank: Some customers may still prefer to use a standard logic signal for the horizontal blanking. Pin 24 can be adapted to accept a logic input. It is necessary for the current flow into pin 24 to reverse for proper operation. Therefore the logic signal must be AC coupled into pin 24. Figure 6 shows the recommended circuit for a logic signal input. The blank signal must be a positive pulse.

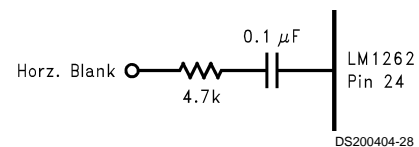


FIGURE 6. Standard Logic H Blank

V Blank and Sandcastle Pulse: By setting bit 1 of register 0B to a “1” the vertical blanking function is enabled. In this mode the vertical blanking is OD’d with the horizontal blanking, setting the outputs of the LM1262 to the blank level the vertical flyback time. Activating vertical blanking also synchronizes the I²C updates being made to the contrast and DAC4 (brightness) registers to occur within the vertical retrace period. Therefore each field will have a uniform brightness since all contrast and brightness changes occur only during the vertical retrace period.

Two different ways are used to input vertical blanking into the LM1262:

Functional Description (Continued)

1. A logic level vertical blanking pulse comes in at pin 13. Bit 2 of register 0B is set to a "0" to enable this method. There is no output for DAC4, but its output is still connected to DAC1-3 inputs, maintaining the brightness feature. **WARNING:** A 4.7 k Ω resistor must be in series with pin 13 when it is used for the vertical blanking input, see Note 18.
2. A sandcastle pulse comes in at pin 23. Bit 2 of register 0B is set to a "1", the default value. Vertical blanking is detected from the sandcastle pulse. Note that bit 1 of register 0B must also be set to a "1" for proper detection of the sandcastle pulse. The output of DAC4 is connected to pin 13 as well as DAC1-3. The sandcastle detection is compatible with the sandcastle pulse generated by the Philips deflection controller parts.

Power Save Mode: There are two modes of power save:

1. Blanking the video
2. Turning off most of the power for maximum power savings.

In the first mode the video is completely blanked. By setting bit-0 in register 9 to a 1 the video will be completely blanked. This gives some power savings since there is no beam current in the monitor. Maximum power saving is obtained in the second mode. Bits 0 and 1 in register 9 should be set to a 1. Bit 1 in register 9 turns off the video output stage of the LM1262, giving a high impedance at the output pin. After bits 0 and 1 of register 9 are set to a 1, the power supplies to the CRT driver and CRT can be turned off.

Note: The 5V supply must remain on for proper operation. Since the LM1262 is a CMOS device its power consumption will be minimal.

External DACs: Four DACs with external outputs are provided in the LM1262. Normally these DACs will be used for color balance and brightness control. If the brightness control is done at G1, then three DACs would be used for color balance and the last DAC would be used for controlling the G1 voltage.

There is also a provision to set the brightness at the cathodes. DAC 4 can be set to vary the outputs of the other three DACs after the color balance is completed. This is accomplished by adding the output of DAC 4 to the other 3 DACs. Bits 3 and 4 of register 9 are set to a 1 for brightness control at the cathodes. Bit 3 sets the output range of DAC 1–3 to 50% of their full range. Bit 4 adds 50% of DAC 4 to the other three DACs. These two adjustments keeps the overall output voltage of DAC 1–3 in the proper range and still allows brightness control. For either mode of brightness control, the DACs are ideally set to work with the LM2479 or LM2480 for DC restoration at the cathodes of the CRT.

When the brightness control is done at the cathodes and the output of DAC 4 is not used, then pin 13 can be used as a vertical input. This function is controlled by bit 2 in register B.

ESD and Arc-Over Protection

The LM1262 incorporates full ESD protection with special consideration given to maximizing arc-over robustness. The monitor designer must still use good circuit design and PCB layout techniques. The human body model ESD susceptibil-

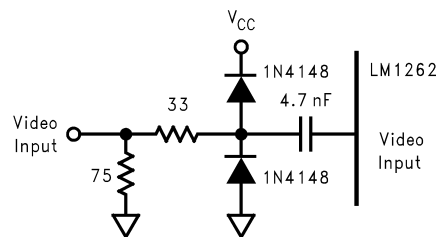
ity of the LM1262 is 3.5 kV, however many monitor manufacturers are now testing their monitors to the level 4 of the IEC 801-2 specification which requires the monitor to survive an 8 kV discharge. External ESD protection is needed to survive this level of ESD. The LM1262 provides excellent protection against both ESD and arc-over, but this is not a substitute for good PCB layout.

Figure 7 shows the recommended input protection for the LM1262. This provides the best protection against ESD. When this protection is combined with good PCB layout the LM1262 will easily survive the IEC 801-2 level 4 testing (8 kV ESD). It is strongly recommended that the protection diodes be added as shown in *Figure 7*. The 1N4148 diode has a maximum capacitance of 4 pF, which will have little effect on the response of the video system due to the low impedance of the input video.

The ESD cells of the LM1262 also provide good protection against arc-over, however good PCB layout is necessary. The LM1262 should not be exposed directly to the voltages that may occur during arc-over. The main vulnerability of the LM1262 to arc-over is though the ground traces on the PCB. For proper protection all ground connections associated with the LM1262, including the grounds to the bypass capacitors, must have short returns to the ground pins. A significant ground plane should be used to connect all the LM1262 grounds. *Figure 10*, which shows the demo board layout, is an excellent example of an effective ground plane. The list below should be followed to ensure a PCB with good grounding:

- All grounds associated with the LM1262 should be connected together through a large ground plane.
- CRT driver ground is connected to the video pre-amp ground at one point.
- CRT and arc protection grounds are connected directly to the chassis or main ground. There is no arc-over current flow from these grounds through the LM1262 grounds.
- Input signal traces for SDA, SCL, H Flyback, and Clamp should be kept away from the CRT driver and all traces that could carry the arc current.
- Output signal traces of the LM1262 should be kept away from the traces that carry the output signals of the CRT driver.

If any one of the above suggestions is not followed the LM1262 may become more vulnerable to arc-over. Improper grounding is by far the most common cause of video pre-amp failures during arc-over.



DS200404-29

FIGURE 7. Recommended Video Input ESD Protection

Schematic

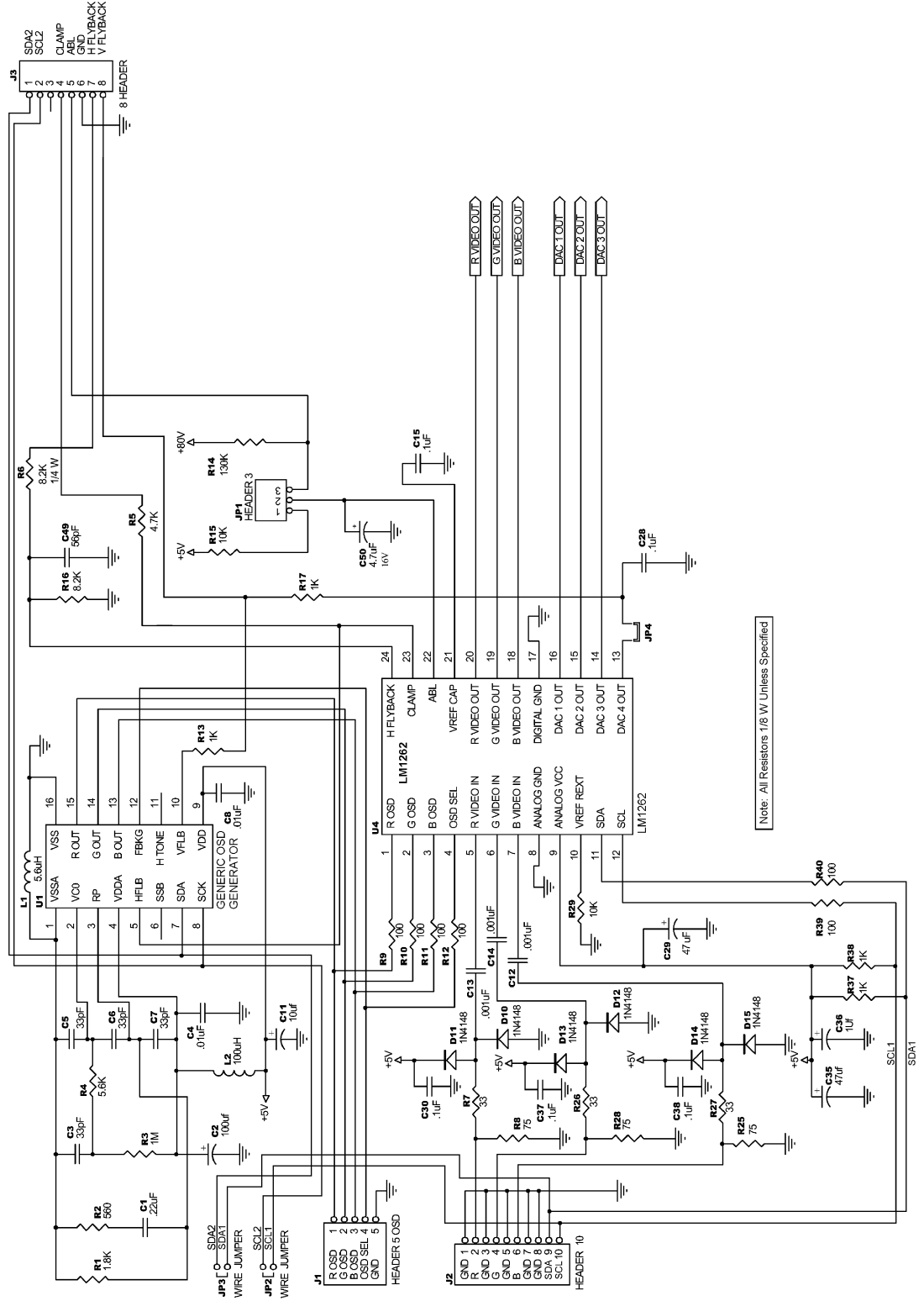
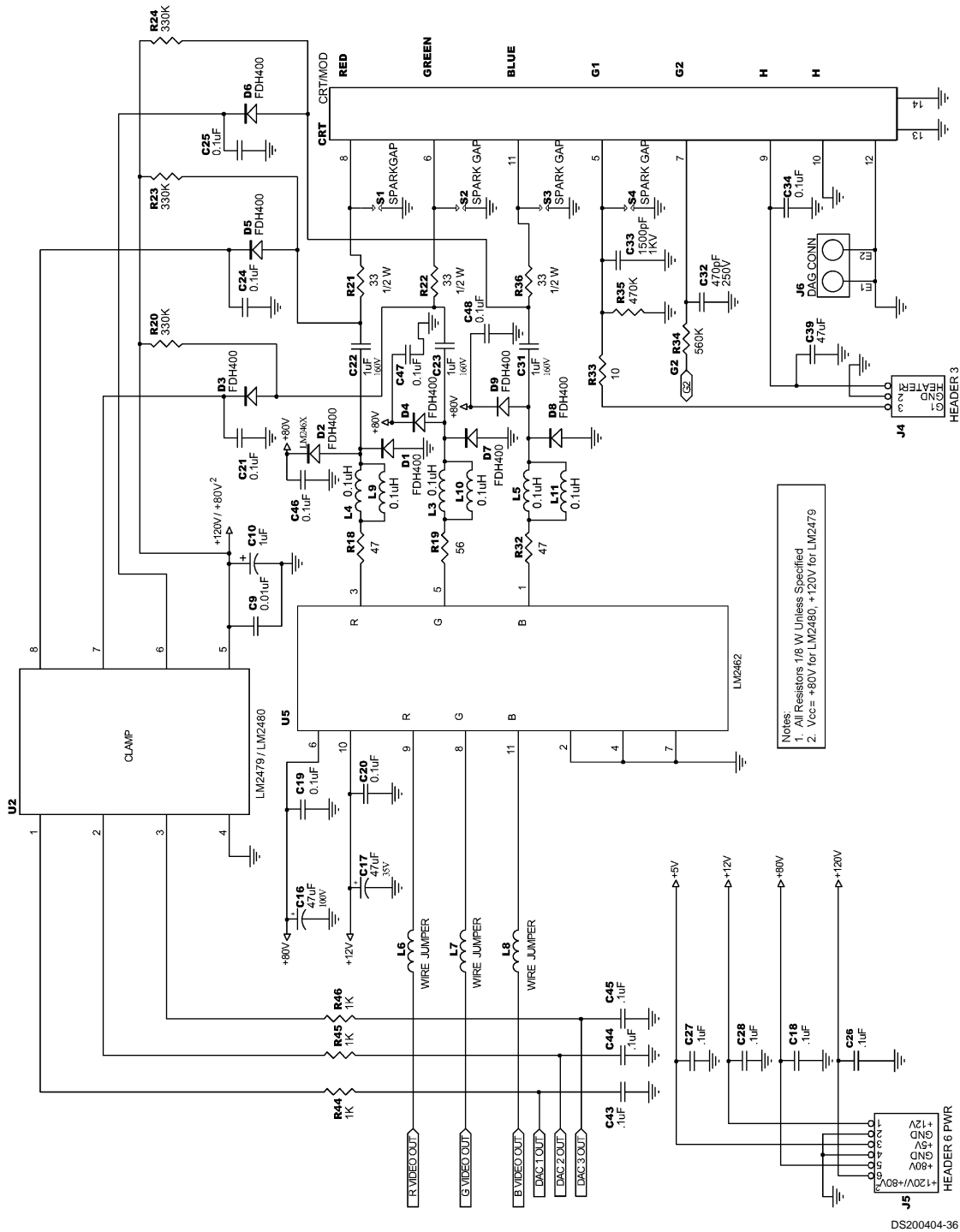


FIGURE 8. High Speed Low Cost Neck Board Schematic

DS200404-35

Schematic (Continued)

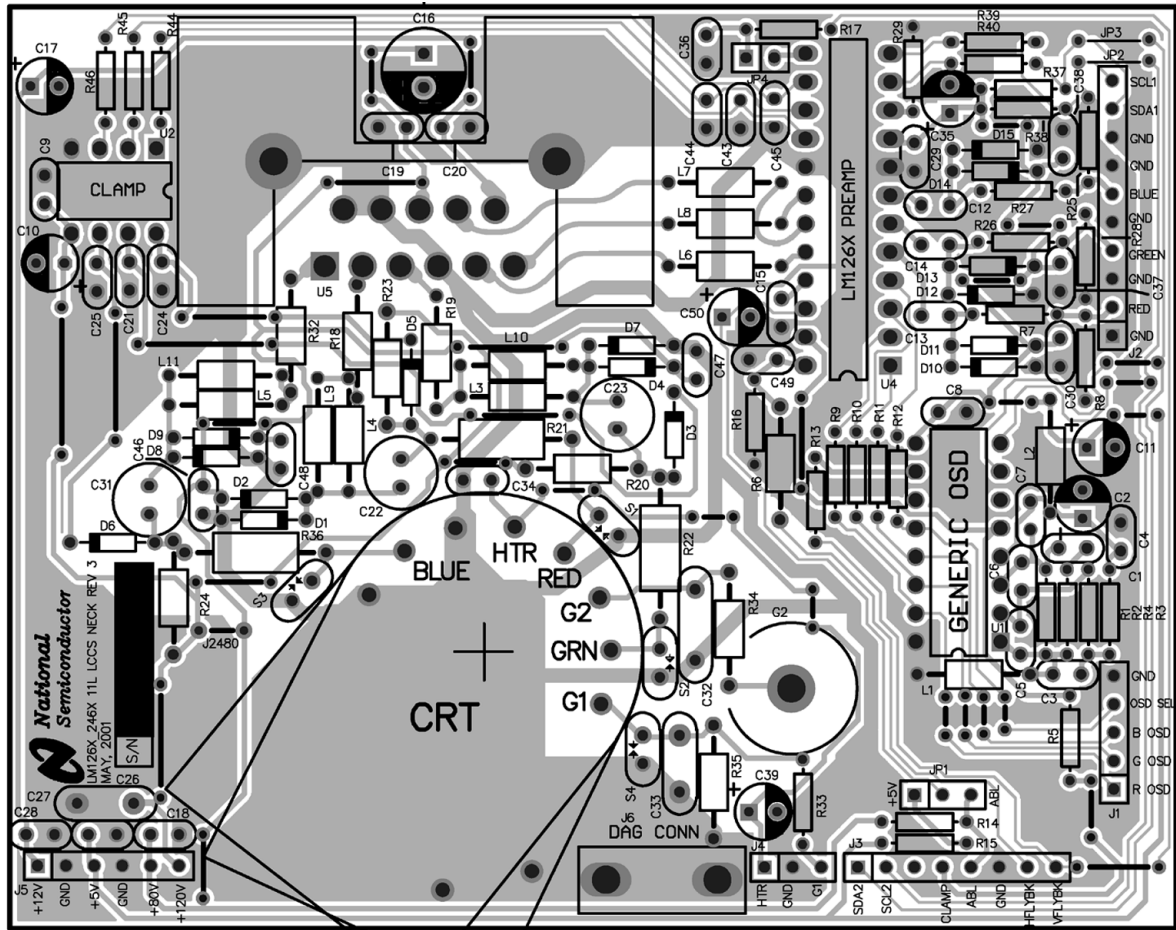


Notes:
 1. All Resistors 1/8 W Unless Specified
 2. Vcc = +80V for LM2480, +120V for LM2479

FIGURE 9. High Speed Low Cost Neck Board Schematic

DS200404-36

PCB Layout



DS200404-37

FIGURE 10. High Speed Low Cost System Neck Board

Micro-Controller Interface

The micro-controller interfaces to the LM1262 pre-amp via an I²C interface. The protocol of the interface begins with the Start Pulse followed by a byte comprised of a seven-bit Slave Device Address and a Read/Write bit as the LSB. Therefore the address of the LM1262 for writing is DCh (1101 1100) and the address for reading is DDh (1101 1101). Figures 11, 12 show a write and read sequence across the I²C interface.

Write Sequence

The write sequence begins with a start condition which consists of the master pulling SDA low while SCL is held high. The slave device address is next sent. The address byte is made up of an address of seven bits (7–1) and the read/write bit (0). Bit 0 is low to indicate a write operation. Each byte that is sent is followed by an acknowledge. When SCL is high the master will release the SDA line. The slave must pull SDA low to acknowledge. The address of the register to be written to is sent next. Following the register address and the acknowledge bit the data for the register is sent. If bit 0 of register 0Ah is set low (default value) then the LM1262 is set for the increment mode. In this mode when more than one data byte is sent it is automatically incremented into the next address location. See Figure 11. Note that each data byte is followed by an acknowledge bit.

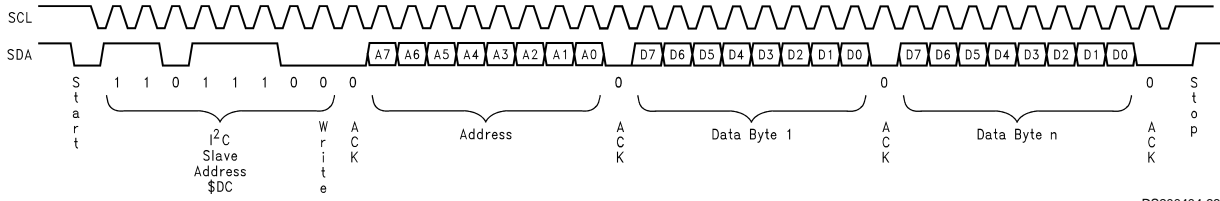
Read Sequence

Read sequences are comprised of two I²C transfer sequences. The first is a write sequence that only transfers the address to be accessed. The second is a read sequence that starts at the address transferred in the previous address write access and incrementing to the next address upon every data byte read. This is shown in Figure 12.

The write sequence consists of the Start Pulse, the Slave Device Address including the Read/Write bit (a zero, indicating a write), then its Acknowledge bit. The next byte is the address to be accessed, followed by its Acknowledge bit and the stop bit indicating the end of the address only write access.

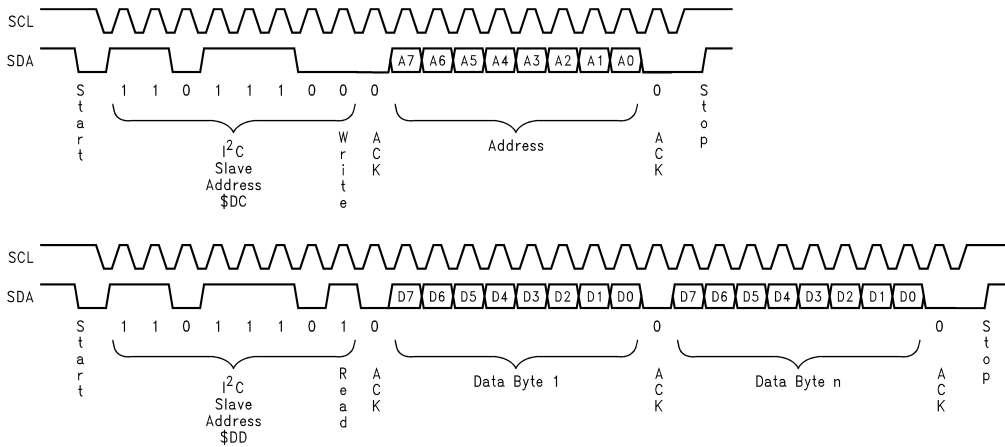
Next the read data access is performed beginning with the Start Pulse, the Slave Device Address including the Read/Write bit (a one, indicating a read) and the Acknowledge bit. The next 8 bits will be the data read from the address indicated by the write sequence. Subsequent read data bytes will correspond to the next increment address locations. Each data byte is separated from the other data bytes by an Acknowledge bit.

Micro-Controller Interface (Continued)



DS200404-33

FIGURE 11. I²C Write Sequence



DS200404-32

FIGURE 12. I²C Read Sequence

I²C Interface Registers

I²C IC ADDRESS

Slave Address of the LM1262 is DCh when writing to the registers and DD when reading from the registers.

LM1262 Pre-Amp Interface Registers (all numbers in Hex)

Register	Address	Default	Format								
R Gain Control	00	60h	X	R Gain [6:0]							
B Gain Control	01	60h	X	B Gain [6:0]							
G Gain Control	02	60h	X	G Gain [6:0]							
Contrast Cont.	03	60h	X	Contrast [6:0]							
DAC1	04	80h	DAC 1[7:0]								
DAC2	05	80h	DAC 2[7:0]								
DAC3	06	80h	DAC 3[7:0]								
DAC4	07	80h	DAC 4[7:0]								
DC Offset/ OSD Cont.	08	15h	X	X	X	OSD_Cont. [1:0]		DC_Offset [2:0]			
Global Control	09	00h	X	X	O	DCF4	DCF1-3	O	PS	BV	
Increment Mode	0A	00h	X	X	X	X	X	X	O	INCR	
VBL/00R	0B	04h	X	X	X	X	CLMP	DAC4	VBL	00R	
Software Reset	0F	00h	X	X	X	X	X	X	X	SRST	

Pre-Amp Interface Registers

Red Channel Gain Control Register (I²C address 00h)

Register name: R Gain Control (00h)

Bit 7							Bit 0
RSV	RG6	RG5	RG4	RG3	RG2	RG1	RG0

Bits 6-0: Red Channel Gain Control. These seven bits determine the gain for the Red Channel.

Bit 7: Reserved.

Blue Channel Gain Control Register (I²C address 01h)

Register name: B Gain Control (01h)

Bit 7							Bit 0
RSV	BG6	BG5	BG4	BG3	BG2	BG1	BG0

Bits 6-0: Blue Channel Gain Control. These seven bits determine the gain for the Blue Channel.

Bit 7: Reserved.

Green Channel Gain Control Register (I²C address 02h)

Register name: G Gain Control (02h)

Bit 7							Bit 0
RSV	GG6	GG5	GG4	GG3	GG2	GG1	GG0

Bits 6-0: Green Channel Gain Control. These seven bits determine the gain for the Green Channel.

Bit 7: Reserved.

Contrast Control Register (I²C address 03h)

Register name: Contrast Control (03h)

Bit 7							Bit 0
RSV	CG6	CG5	CG4	CG3	CG2	CG1	CG0

Bits 6-0: Contrast Control. These seven bits vary the gain of all three channels.

Bit 7: Reserved.

DAC Interface Register Definitions

DAC 1 Register (I²C address 04h)

Register name: DAC 1 (04h)

Bit 7								Bit 0
D1-7	D1-6	D1-5	D1-4	D1-3	D1-2	D1-1	D1-0	

Bits 7-0: DAC 1. These eight bits determine the output voltage of DAC 1.

DAC 2 Register (I²C address 05h)

Register name: DAC 2 (05h)

Bit 7								Bit 0
D2-7	D2-6	D2-5	D2-4	D2-3	D2-2	D2-1	D2-0	

Bits 7-0: DAC 2. These eight bits determine the output voltage of DAC 2.

DAC Interface Register Definitions

(Continued)

DAC 3 Register (I²C address 06h)

Register name: DAC 3 (06h)

Bit 7							Bit 0
D3-7	D3-6	D3-5	D3-4	D3-3	D3-2	D3-1	D3-0

Bits 7-0: DAC 3. These eight bits determine the output voltage of DAC 3.

DAC 4 Register (I²C address 07h)

Register name: DAC 4 (07h)

Bit 7							Bit 0
D4-7	D4-6	D4-5	D4-4	D4-3	D4-2	D4-1	D4-0

Bits 7-0: DAC 4. These eight bits determine the output voltage of DAC 4.

DC Offset and OSD Contrast Control Register (I²C address 08h)

Register name: DC Offset/OSD Cont. (08h)

Bit 7							Bit 0
RSV	RSV	RSV	OSDC1	OSDC0	DC2	DC1	DC0

Bits 2-0: DC Offset Control. These three bits determine the active video DC offset to all three channels.

Bits 4-3: OSD Contrast Control. These two bits determine the contrast level of the digital OSD information.

Bits 7-5: Reserved.

Global Video Control Register (I²C address 09h)

Register name: Global Control (09h)

Bit 7							Bit 0
RSV	RSV	0	DCF4	DCF1-3	0	PS	BV

Bit 0: Blank Video. When this bit is a one, blank the video output. When this bit is a zero allow normal video out.

Bit 1: Power Save. When this bit is a one, shut down the analog circuits to support sleep mode. When this bit is a zero enable the analog circuits for normal operation.

Bit 2: MUST BE SET TO "0" FOR PROPER OPERATION.

Bit 3: DAC1-3 Configuration. When this bit is a zero the DAC outputs of DAC1-3 are full scale (0V-4.5V). When this bit is 1, the range of DAC1-3 are halved (0V-2.25V).

Bit 4: DAC4 Configuration. When this bit is a zero the DAC4 output is not mixed with the other DAC outputs. When the bit is one, 50% of the DAC4 output is added to DAC1-3.

Bit 5: MUST BE SET TO "0" FOR PROPER OPERATION.

Bits 7-6: Reserved.

Increment Mode Register (I²C address 0Ah)

Register name: Increment Mode (0Ah)

Bit 7							Bit 0
RSV	RSV	RSV	RSV	RSV	RSV	0	INCR

Bit 0: Increment Enable. When set to a "0", the default value, the increment mode is enabled. This allows the registers to be updated sequentially by sending another block of data.

Bit 1: MUST BE SET TO "0" FOR PROPER OPERATION.

Bits 7-2: Reserved.

Clamp Polarity, Vertical Blanking, and OSD Control (I²C address 0Bh)

Register name: Clamp/VBL/OOR (0Bh)

Bit 7							Bit 0
RSV	RSV	RSV	RSV	CLMP	DAC4	VBL	OOR

Bit 0: OSD Only Register: When this bit is 0 (default) normal video operation is assumed. When this bit is 1, the video is blanked, only the OSD window is displayed (used for "out-of-range" condition).

Bit 1: Vertical Blank Enable: When this bit is set to 1 the vertical blanking pulse is OR'd with the horizontal blank pulse at the preamplifier output, to blank the video during both the vertical and horizontal retrace. I²C changes for contrast and DAC4 will only be updated during vertical retrace period. When this bit is set to 0 (default) the internal vertical blanking is disabled (horizontal blanking is not affected) and I²C changes for contrast and DAC4 occur anytime in the video field. NOTE: If there is no vertical signal to the LM1262, this bit must be set to a 0 for proper operation.

Bit 2: DAC4 I/O Switch: When this bit is set to 1 (default) DAC4 output is enabled. When this bit is set to a 0 the DAC4 output is disabled and pin 13 is used for the vertical blank input. DAC4 can still be connected internally to DAC1-3. When both bits 1 and 2 are set to 1 vertical blanking will be stripped from the sandcastle pulse at pin 23. For proper detection of the sandcastle pulse the CLMP bit (bit 3) must be set to a 0, positive polarity for the clamp input.

Bit 3: Determines the polarity of the clamp signal used by the LM1262, "0" (default) is a positive clamp signal, "1" is a negative going clamp signal.

Bits 7-4: Reserved.

Software Reset Register (I²C address 0Fh)

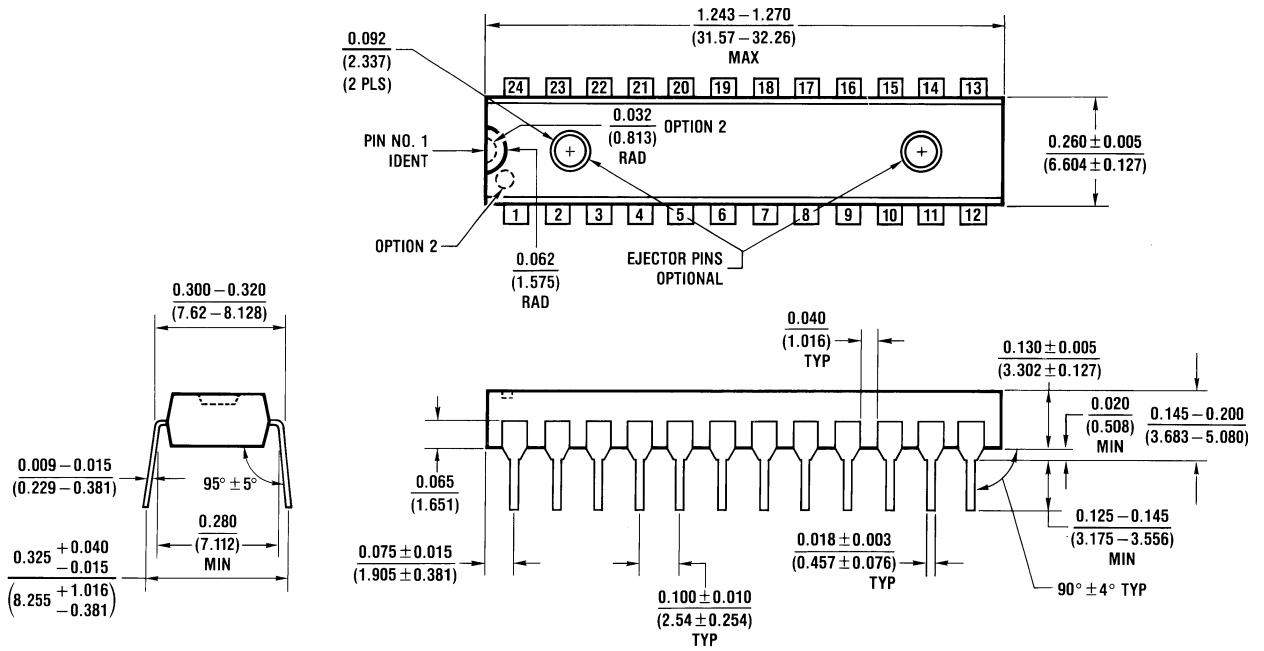
Register name: Software Reset (0Fh)

Bit 7							Bit 0
RSV	RSV	RSV	RSV	RSV	RSV	RSV	SRST

Bit 0: Software Reset. Setting this bit causes a software reset. All registers (except this one) are loaded with their default values. All operations currently in progress are aborted (except for I²C transactions). This bit automatically clears itself when the reset has been completed.

Bits 7-1: Reserved.

Physical Dimensions inches (millimeters) unless otherwise noted



N24C (REV F)

Order Number LM1262NA
NS Package Number N24D

LIFE SUPPORT POLICY

NATIONAL'S PRODUCTS ARE NOT AUTHORIZED FOR USE AS CRITICAL COMPONENTS IN LIFE SUPPORT DEVICES OR SYSTEMS WITHOUT THE EXPRESS WRITTEN APPROVAL OF THE PRESIDENT AND GENERAL COUNSEL OF NATIONAL SEMICONDUCTOR CORPORATION. As used herein:

1. Life support devices or systems are devices or systems which, (a) are intended for surgical implant into the body, or (b) support or sustain life, and whose failure to perform when properly used in accordance with instructions for use provided in the labeling, can be reasonably expected to result in a significant injury to the user.
2. A critical component is any component of a life support device or system whose failure to perform can be reasonably expected to cause the failure of the life support device or system, or to affect its safety or effectiveness.



National Semiconductor Corporation
Americas
Email: support@nsc.com

www.national.com

National Semiconductor Europe
Fax: +49 (0) 180-530 85 86
Email: europe.support@nsc.com
Deutsch Tel: +49 (0) 69 9508 6208
English Tel: +44 (0) 870 24 0 2171
Français Tel: +33 (0) 1 41 91 8790

National Semiconductor Asia Pacific Customer Response Group
Tel: 65-2544466
Fax: 65-2504466
Email: ap.support@nsc.com

National Semiconductor Japan Ltd.
Tel: 81-3-5639-7560
Fax: 81-3-5639-7507

IMPORTANT NOTICE

Texas Instruments Incorporated and its subsidiaries (TI) reserve the right to make corrections, modifications, enhancements, improvements, and other changes to its products and services at any time and to discontinue any product or service without notice. Customers should obtain the latest relevant information before placing orders and should verify that such information is current and complete. All products are sold subject to TI's terms and conditions of sale supplied at the time of order acknowledgment.

TI warrants performance of its hardware products to the specifications applicable at the time of sale in accordance with TI's standard warranty. Testing and other quality control techniques are used to the extent TI deems necessary to support this warranty. Except where mandated by government requirements, testing of all parameters of each product is not necessarily performed.

TI assumes no liability for applications assistance or customer product design. Customers are responsible for their products and applications using TI components. To minimize the risks associated with customer products and applications, customers should provide adequate design and operating safeguards.

TI does not warrant or represent that any license, either express or implied, is granted under any TI patent right, copyright, mask work right, or other TI intellectual property right relating to any combination, machine, or process in which TI products or services are used. Information published by TI regarding third-party products or services does not constitute a license from TI to use such products or services or a warranty or endorsement thereof. Use of such information may require a license from a third party under the patents or other intellectual property of the third party, or a license from TI under the patents or other intellectual property of TI.

Reproduction of TI information in TI data books or data sheets is permissible only if reproduction is without alteration and is accompanied by all associated warranties, conditions, limitations, and notices. Reproduction of this information with alteration is an unfair and deceptive business practice. TI is not responsible or liable for such altered documentation. Information of third parties may be subject to additional restrictions.

Resale of TI products or services with statements different from or beyond the parameters stated by TI for that product or service voids all express and any implied warranties for the associated TI product or service and is an unfair and deceptive business practice. TI is not responsible or liable for any such statements.

TI products are not authorized for use in safety-critical applications (such as life support) where a failure of the TI product would reasonably be expected to cause severe personal injury or death, unless officers of the parties have executed an agreement specifically governing such use. Buyers represent that they have all necessary expertise in the safety and regulatory ramifications of their applications, and acknowledge and agree that they are solely responsible for all legal, regulatory and safety-related requirements concerning their products and any use of TI products in such safety-critical applications, notwithstanding any applications-related information or support that may be provided by TI. Further, Buyers must fully indemnify TI and its representatives against any damages arising out of the use of TI products in such safety-critical applications.

TI products are neither designed nor intended for use in military/aerospace applications or environments unless the TI products are specifically designated by TI as military-grade or "enhanced plastic." Only products designated by TI as military-grade meet military specifications. Buyers acknowledge and agree that any such use of TI products which TI has not designated as military-grade is solely at the Buyer's risk, and that they are solely responsible for compliance with all legal and regulatory requirements in connection with such use.

TI products are neither designed nor intended for use in automotive applications or environments unless the specific TI products are designated by TI as compliant with ISO/TS 16949 requirements. Buyers acknowledge and agree that, if they use any non-designated products in automotive applications, TI will not be responsible for any failure to meet such requirements.

Following are URLs where you can obtain information on other Texas Instruments products and application solutions:

Products

Audio	www.ti.com/audio
Amplifiers	amplifier.ti.com
Data Converters	dataconverter.ti.com
DLP® Products	www.dlp.com
DSP	dsp.ti.com
Clocks and Timers	www.ti.com/clocks
Interface	interface.ti.com
Logic	logic.ti.com
Power Mgmt	power.ti.com
Microcontrollers	microcontroller.ti.com
RFID	www.ti-rfid.com
OMAP Mobile Processors	www.ti.com/omap
Wireless Connectivity	www.ti.com/wirelessconnectivity

Applications

Communications and Telecom	www.ti.com/communications
Computers and Peripherals	www.ti.com/computers
Consumer Electronics	www.ti.com/consumer-apps
Energy and Lighting	www.ti.com/energy
Industrial	www.ti.com/industrial
Medical	www.ti.com/medical
Security	www.ti.com/security
Space, Avionics and Defense	www.ti.com/space-avionics-defense
Transportation and Automotive	www.ti.com/automotive
Video and Imaging	www.ti.com/video

TI E2E Community Home Page

e2e.ti.com

Mailing Address: Texas Instruments, Post Office Box 655303, Dallas, Texas 75265
Copyright © 2011, Texas Instruments Incorporated