

## LK Series

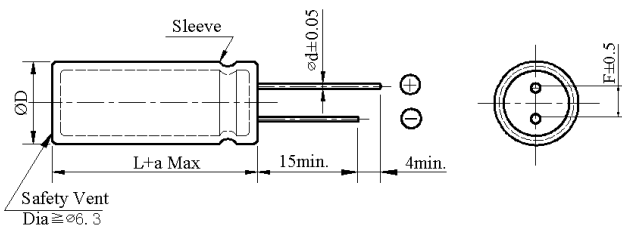
- Downsize and high ripple current
- Load life: 4,000 hours at 105°C



### ◆ SPECIFICATIONS

Item	Performance Characteristics						
Category Temperature Range	-25 ~ +105°C						
Working Voltage Range	160 ~ 200Vdc						
Capacitance Range	22 ~ 39 µF						
Capacitance Tolerance	±20% (at 25°C and 120Hz)						
Dissipation Factor (tanδ) (at 25°C, 120Hz)	<table border="1"> <tr> <td>Rated Voltage (V)</td> <td>160</td> <td>200</td> </tr> <tr> <td>tanδ(Max)</td> <td>0.15</td> <td>0.15</td> </tr> </table> <p>The above values should be increased by 0.02 for every additional 1000µF</p>	Rated Voltage (V)	160	200	tanδ(Max)	0.15	0.15
Rated Voltage (V)	160	200					
tanδ(Max)	0.15	0.15					
Leakage Current	$I=0.03CV+10\mu A$ I : Leakage current (µA) C : Rated capacitance (µF) V : Rated voltage (V) Impress the rated voltage for 2 minutes						
Low Temperature Characteristics Impedance Ratio(MAX)	<table border="1"> <tr> <td>Rated voltage (V)</td> <td>160</td> <td>200</td> </tr> <tr> <td>Z(-25°C)/Z(+20°C)</td> <td>3</td> <td>3</td> </tr> </table> <p style="text-align: right;">(at 120Hz)</p>	Rated voltage (V)	160	200	Z(-25°C)/Z(+20°C)	3	3
Rated voltage (V)	160	200					
Z(-25°C)/Z(+20°C)	3	3					
Endurance	The following requirements shall be satisfied when the capacitor are restored to 25°C after the rated voltage applied for 4,000 hours at 105°C. <table border="1"> <tr> <td>Capacitance change</td> <td>≅ ±20% of the initial value</td> </tr> <tr> <td>Dissipation factor(tanδ)</td> <td>≅ 200% of the specified value</td> </tr> <tr> <td>Leakage current</td> <td>≅ specified value</td> </tr> </table>	Capacitance change	≅ ±20% of the initial value	Dissipation factor(tanδ)	≅ 200% of the specified value	Leakage current	≅ specified value
Capacitance change	≅ ±20% of the initial value						
Dissipation factor(tanδ)	≅ 200% of the specified value						
Leakage current	≅ specified value						
Shelf Life	The following requirements shall be satisfied when the capacitor are restored to 25°C after exposing them for 1,000 hours at 105°C without voltage applied. <table border="1"> <tr> <td>Capacitance change</td> <td>≅ ±20% of the initial value</td> </tr> <tr> <td>Dissipation factor(tanδ)</td> <td>≅ 200% of the specified value</td> </tr> <tr> <td>Leakage current</td> <td>≅ 200% of the specified value</td> </tr> </table>	Capacitance change	≅ ±20% of the initial value	Dissipation factor(tanδ)	≅ 200% of the specified value	Leakage current	≅ 200% of the specified value
Capacitance change	≅ ±20% of the initial value						
Dissipation factor(tanδ)	≅ 200% of the specified value						
Leakage current	≅ 200% of the specified value						
Others	Conforms to JIS-C-5101-4 (1998), characteristic W						

### ◆ DIMENSIONS (mm)



ΦD	12.5 × 12
ΦD	ΦD + 0.5 Max
Φd	0.6
F	5.0
a	L + 1.0 Max

### ◆ PART NUMBER SYSTEM( Example : 160V 33µF)

L	K	2	C	3	3	0	M	N	N	1	2	1	2						
---	---	---	---	---	---	---	---	---	---	---	---	---	---	--	--	--	--	--	--

Special Request

Size code(1212 : 12.5×12)

Lead length code

Lead forming Type code

Capacitance tolerance code(M: ±20%)

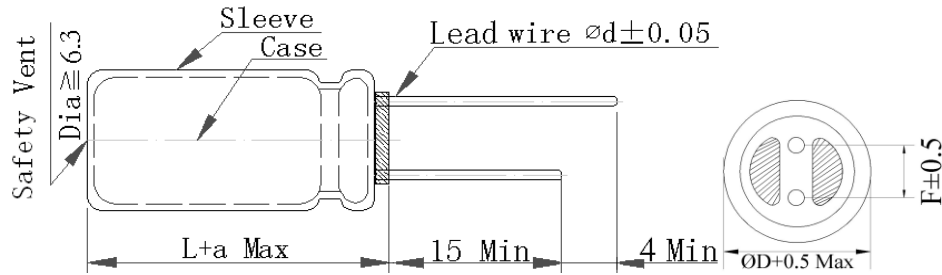
Capacitance code (33µF)

Voltage code (160V)

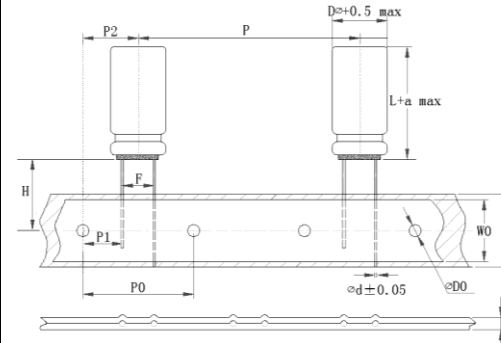
Series code (LK)

## Aluminum Electrolytic Capacitor

Customer	Digi-Key	SERIES	LK	NO.:	PUBLISH DATE	2022-03-25
----------	----------	--------	----	------	--------------	------------



**Original**



**FIG-1**

Unit(mm):

P=25.4±1.0	H=18.5±0.5
P0=12.7±0.2	W=18.0±0.5
P1=3.85±0.5	W0=12.5MIN
P2=6.35±1.0	ΦD0=4.0±0.2
F=5.0+0.8/-0.2	t=0.7±0.2

No.	CHINSAN Part No.	Customer Part No.	Capacitance (uF)	Tolerance On rated Capacitance (%)	Working Voltage (Vdc)	Surge Voltage (Vdc)	Category Temp Range (°C)	Tanδ @ 25°C (120Hz) (Max)	Leakage Current (uA) (2 min.)	Rated Ripple Current (mA rms) @ 105°C 120Hz	Rated Ripple Current (mA rms) @ 105°C 100kHz	ESR @25°C (mΩ max/ 120Hz)	Impedance @20°C (mΩ max/ 100kHz)	Endurance @ 105°C (Hours)	Dimensions (mm)					Appearance Drawing No
															DΦ	L	a	d	F	
1	LK2E220MPU1212RSU	/	22 μF	±20%	250 V	/	-25~+105	/	/	/	290	/	/	4000	12.5	12	/	/	5	FIG-1

※Test leakage current before testing dissipation factor and capacitance during the electric characteristic test.

REMARKS:	APPROVED BY	CHECKED BY	PREPARED BY
Sleeve Color: Black.	张洪斌	曾爱娥	梁慧妍