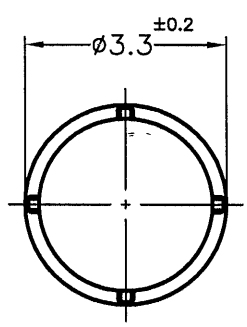
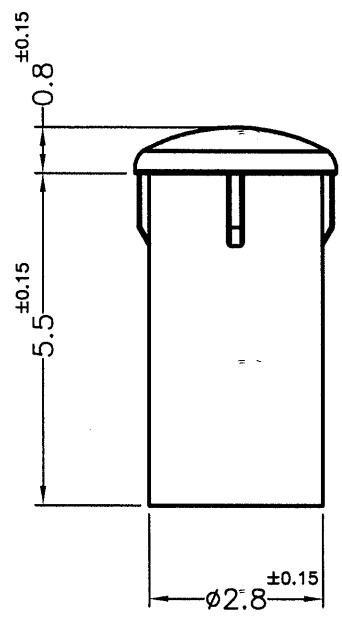
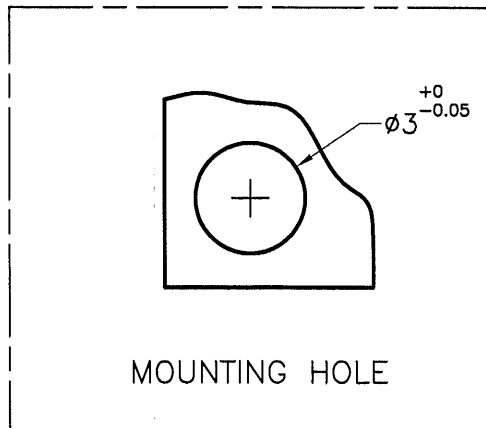


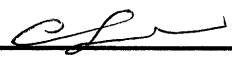


REVISIONS			
REV	DESCRIPTION	DATE	BY



NOTE:MADE OF EQUIVALENT MATERIAL.
均可使用同等材質.



 康揚企業股份有限公司 KANG YANG HARDWARE ENTERPRISE CO., LTD. 康揚塑膠(東莞)有限公司 KANG YANG PLASTIC(DONG GUAN) CO.,LTD. 康哲電腦配件(吳江)有限公司 KANG CHE COMPUTER COMPONENTS(WUJIANG) CO.,LTD.				TITLE	LIGHT PIPE	SPEC. DWG.
				MATERIAL	PC UL94V-2	DATE
PART NUMBER				FINISH	DRAWN	ALBERT
DRAWING NUMBER				COLOR	CHECK	
SIZE	SCALE	UNIT	REV	UNLESS OTHERWISE SPECIFIED TOLERANCE	APPROVED	
A4	10:1	mm	A	SEE ABOVE		