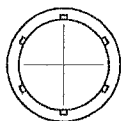
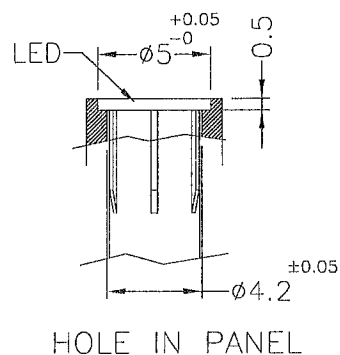
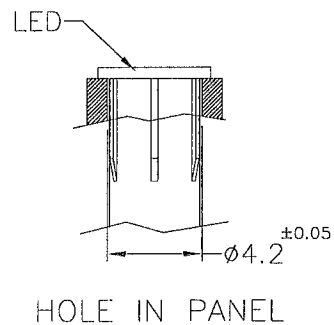
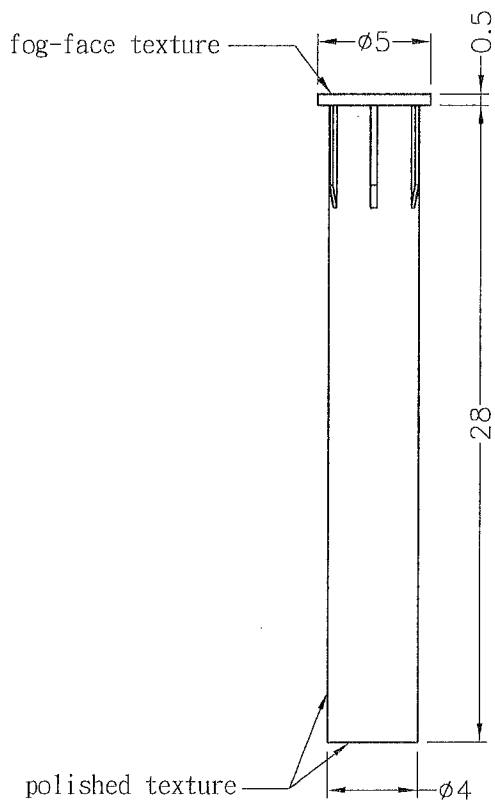

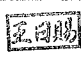
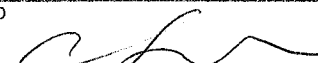


| DTM.      | TOL  |
|-----------|------|
| L≤10      | ±0.2 |
| 10<L≤30   | ±0.3 |
| 30<L≤50   | ±0.5 |
| 50<L≤100  | ±0.7 |
| 100<L≤250 | ±1.2 |
| ABOVE 250 | ±1.5 |

| REVISIONS |             |      |    |
|-----------|-------------|------|----|
| REV       | DESCRIPTION | DATE | BY |
|           |             |      |    |
|           |             |      |    |



|   |                          |            |  |   |
|---|--------------------------|------------|--|---|
|  <p>康揚企業股份有限公司<br/>KANG YANG HARDWARE ENTERPRISE CO., LTD.<br/>康揚塑膠(東莞)有限公司<br/>KANG YANG PLASTIC(DONG GUAN) CO., LTD.<br/>康哲電腦配件(吳江)有限公司<br/>KANG CHE COMPUTER COMPONENTS(WUJIANG) CO., LTD.</p> | TITLE<br>LED LIGHT PIPE  |            | SPEC. DWG.   |   |
|   | MATERIAL<br>PC UL94V-2   |            | DATE<br>2010.09.20   |   |
|   | FINISH                   |            | DRAWN<br>SAI   |   |
|   | COLOR<br>CLEAR           |            | CHECK<br> |   |
| PART NUMBER<br>LEM-98   | DRAWING NUMBER<br>LEM-98 |            | UNLESS OTHERWISE SPECIFIED<br>TOLERANCE<br>SEE ABOVE   |   |
| SIZE<br>A4  | SCALE<br>3:1             | UNIT<br>mm | REV<br>A   | APPROVED<br> |