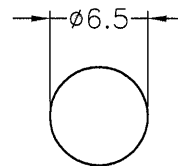
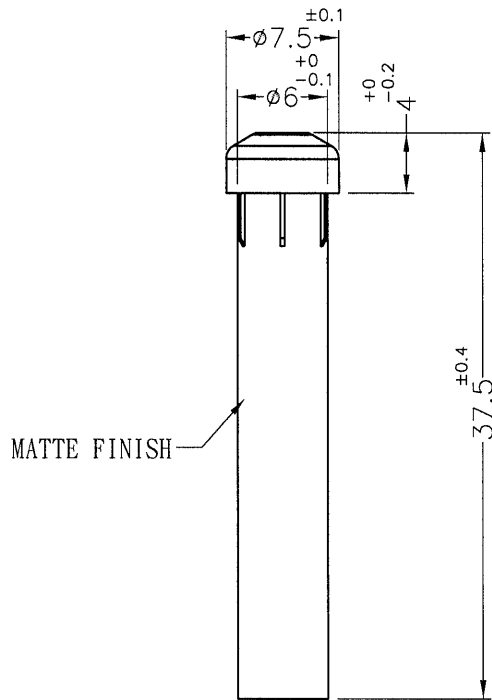
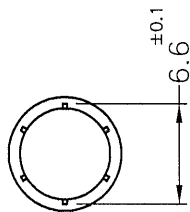





REVISIONS			
REV	DESCRIPTION	DATE	BY



MOUNTING HOLE



NOTE:MADE OF EQUIVALENT MATERIAL.  
均可使用同等材質.

 <p>康揚企業股份有限公司 KANG YANG HARDWARE ENTERPRISE CO., LTD. 康揚塑膠(東莞)有限公司 KANG YANG PLASTIC(DONG GUAN) CO., LTD. 康哲電腦配件(吳江)有限公司 KANG CHE COMPUTER COMPONENTS(WUJIANG) CO., LTD.</p>				TITLE	LIGHT PIPE	SPEC. DWG.	
				MATERIAL	PC UL94V-0	DATE	2017.10.12
				FINISH		DRAWN	C. S. L
				COLOR	TRANSPARENT	CHECK	
PART NUMBER	LEM-233V0	DRAWING NUMBER	LEM-233	UNLESS OTHERWISE SPECIFIED TOLERANCE	SEE ABOVE	APPROVED	
SIZE	A4	SCALE	2:1	UNIT	mm	REV	A