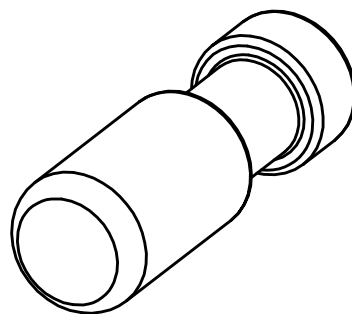
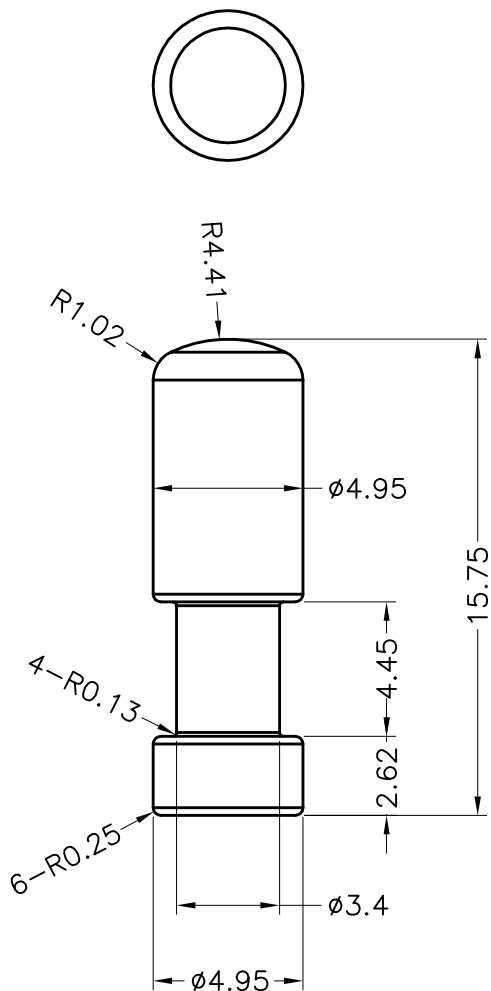


成型尺寸	公差
5mm 以下	±0.2
5~20mm	±0.3
20~40mm	±0.4
40~60mm	±0.5
60~100mm	±0.8
100mm 以上	±1.0

REVISIONS			
REV	DESCRIPTION	DATE	BY



QMFZ2 Component - Plastics

Monday, June 26, 2000

E121562

**GE PLASTICS AMERICAS**

1 PLASTICS AVE  
PITTSFIELD MA 01201

Material Designation: **HF1130**

Product Description: **Polycarbonate (PC)**, designated "Lexan" furnished as pellets.

Color	Min. Thick. mm	Flame Class	HWI	HAI	RTI Elec	RTI Imp	RTI Str	IEC GWIT	IEC GWFI
ALL	1.2	V-2	-	-	80	80	80	-	-
	1.5	V-2	-	-	100	100	100	-	-
	3.0	V-2	-	-	100	100	100	-	-
	6.0	V-2	-	-	100	100	100	-	-

CTE: - HVFR: - D495: - IEC BP: -

NOTE - Material designation may be followed by a color nomenclature consisting of either an alpha/numeric or numeric/alpha combination.

Report Date: 12/24/1985

Underwriters Laboratories Inc®

954989001

UL94 small-scale test data does not pertain to building materials, furnishings and related contents. UL 94 small-scale test data is intended solely for determining the flammability of plastic materials used in components and parts of end-product devices and appliances, where the acceptability of the combination is determined by UL.

<p>康揚企業股份有限公司 KANG YANG HARDWARE ENTERPRISE CO., LTD. 東莞康揚塑膠五金電子廠 DONG GUAN KANG YANG PLASTIC HARDWARE COMPANY 康哲電腦配件(吳江)有限公司 KANG CHE COMPUTER COMPONENTS(WUJIANG) CO.,LTD.</p>				TITLE	導光柱	產品規格圖面	
				MATERIAL	PC UL94V-2 LEXEN HF1130	DATE	2006.03.27
				FINISH		DRAWN	CIA CIA
				COLOR	CLEAR	CHECK	
PART NUMBER	LEM-23	DRAWING NUMBER	LEM-23	UNLESS OTHERWISE SPECIFIED TOLERANCE	SEE ABOVE	APPROVED	
SIZE	A4	SCALE	4:1	UNIT	mm	REV	B