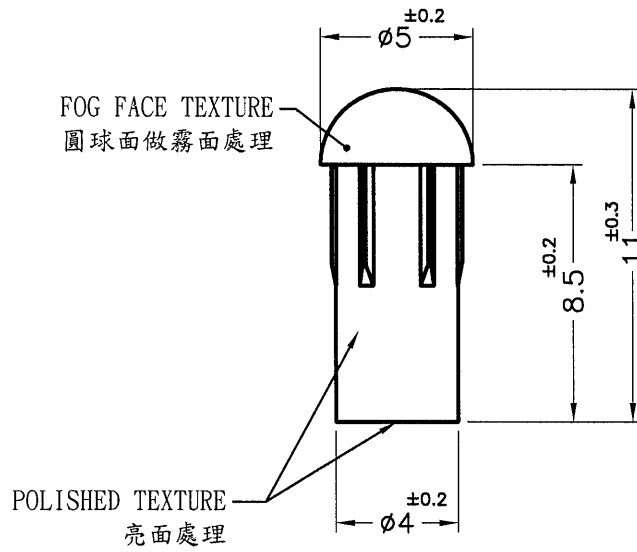
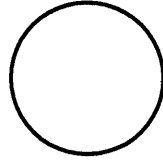




REVISIONS			
REV	DESCRIPTION	DATE	BY



MOUNTING HOLE ø4.2

NOTE:MADE OF EQUIVALENT MATERIAL.
使用同等材質

 <p>康揚企業股份有限公司 KANG YANG HARDWARE ENTERPRISE CO., LTD. 康揚塑膠(東莞)有限公司 KANG YANG PLASTIC(DONG GUAN) CO.,LTD. 康哲電腦配件(吳江)有限公司 KANG CHE COMPUTER COMPONENTS(WUJIANG) CO.,LTD.</p>	TITLE LED LIGHT PIPE		SPEC. DWG.	
	MATERIAL PC UL94V-2		DATE 2015.06.17	
	FINISH		DRAWN LUKE	
	COLOR TRANSPARENT		CHECK	
PART NUMBER LEM-203	DRAWING NUMBER LEM-203		 APPROVED Kang	
SIZE A4	SCALE 4:1	UNIT mm		
UNLESS OTHERWISE SPECIFIED TOLERANCE SEE ABOVE				