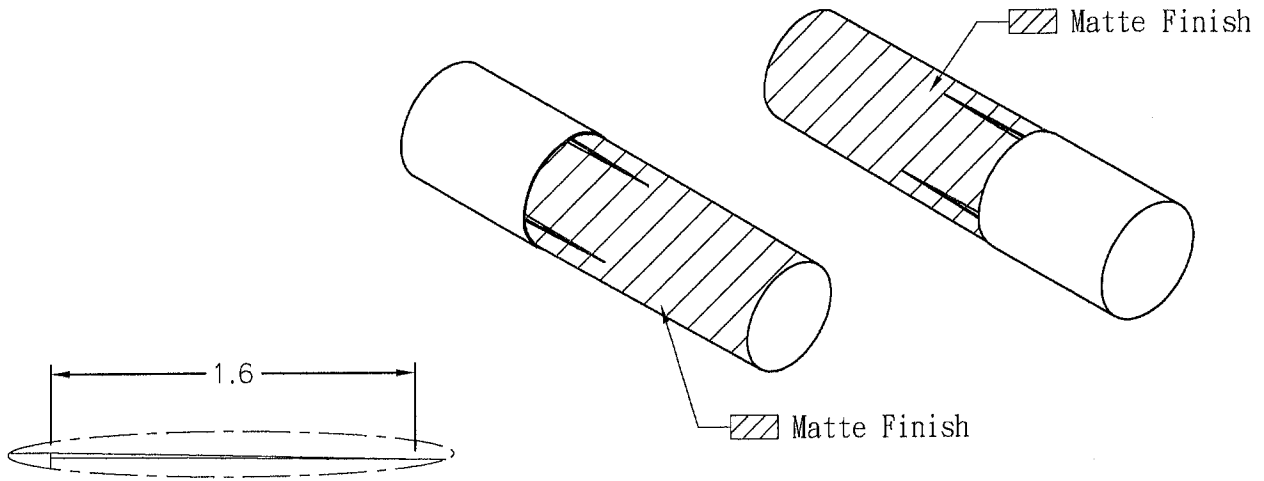
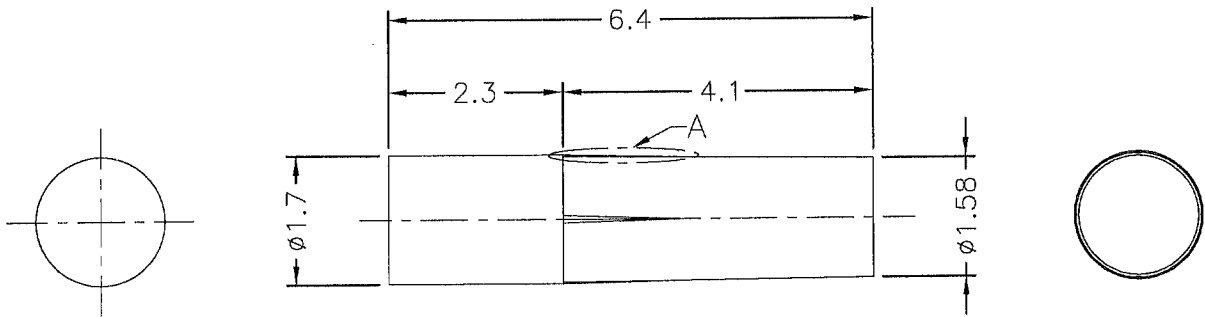


DIM.	TOL
L ≤ 10	±0.2
10 < L ≤ 30	±0.3
30 < L ≤ 50	±0.5
50 < L ≤ 100	±0.7
100 < L ≤ 250	±1.2
ABOVE 250	±1.5


REVISIONS			
REV	DESCRIPTION	DATE	BY



DETAIL A
SCALE 30:1



MOUNTING HOLE: $\phi 1.6$

 <p>康揚企業股份有限公司 KANG YANG HARDWARE ENTERPRISE CO., LTD. 康揚塑膠(東莞)有限公司 KANG YANG PLASTIC(DONG GUAN) CO., LTD. 康哲電腦配件(吳江)有限公司 KANG CHE COMPUTER COMPONENTS(WUJIANG) CO., LTD.</p>	TITLE LIGHT PIPE		SPEC. DWG	
	MATERIAL PC UL94V-2		DATE 2014.08.11	
	FINISH		DRAWN C. S. L	
	COLOR CLEAR		CHECK	
PART NUMBER LEM-185	DRAWING NUMBER LEM-185		UNLESS OTHERWISE SPECIFIED TOLERANCE SEE ABOVE	
SIZE A4	SCALE 10:1	UNIT mm	REV A	APPROVED 