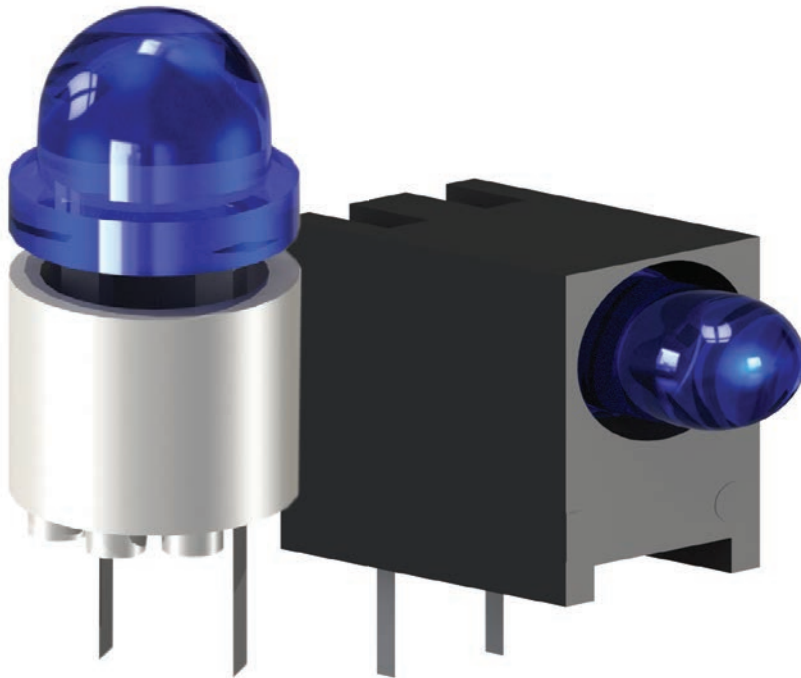
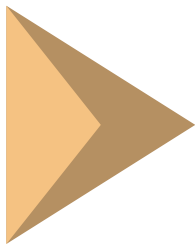




# LED HARDWARE

The LED Hardware range provides simple and safe mounting systems for Light Emitting Diodes during the production process.

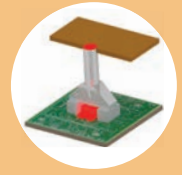




# LED HARDWARE

Light Pipes and Lens

210



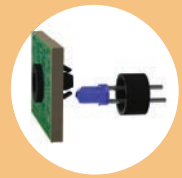
LED Spacers

211-212



LED Mounting

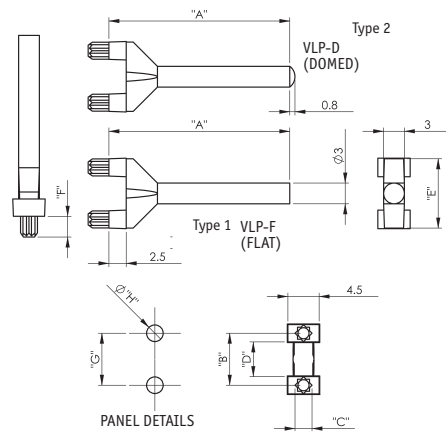
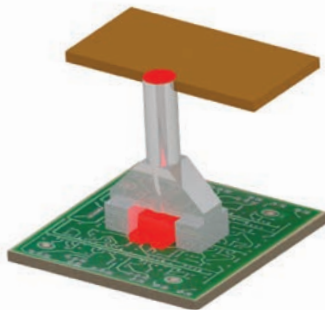
213



## Vertical Light Pipes

VLP

Clear UL94 V0 Polycarbonate, RMS-23



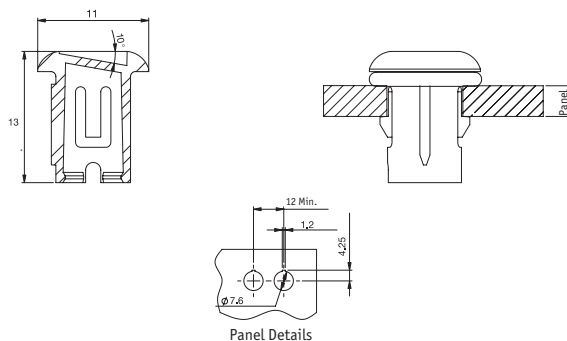
Part Number	Type	Dimensions (mm)								Panel Thickness	Std Pack Qty
		"A"	"B"	"C"	"D"	"E"	"F"	"G"	"H" ± 0.05		
VLP1-F-1	1	12.7	4.7	1.5	3	6.4	2.5	4.7	1.5	0.8-3	1000
VLP1-F-3	1	16.5	4.7	1.5	3	6.4	2.5	4.7	1.5	0.8-3	1000
VLP1-F-4	1	21.8	4.7	1.5	3	6.4	2.5	4.7	1.5	0.8-3	1000
VLP1-F-5	1	26.1	4.7	1.5	3	6.4	2.5	4.7	1.5	0.8-3	1000
VLP2-F-1	1	12.7	7.5	2.45	5	10	3	7.5	2.4	0.8-3	1000
VLP2-F-2	1	15	7.5	2.45	5	10	3	7.5	2.4	0.8-3	1000
VLP2-F-3	1	16.5	7.5	2.45	5	10	3	7.5	2.4	0.8-3	1000
VLP2-F-4	1	21.8	7.5	2.45	5	10	3	7.5	2.4	0.8-3	1000
VLP2-F-5	1	26.1	7.5	2.45	5	10	3	7.5	2.4	0.8-3	1000
VLP2-F-6	1	55	7.5	2.45	5	10	3	7.5	2.4	0.8-3	1000
VLP1-D-1	2	12.7	4.7	1.5	3	6.4	2.5	4.7	1.5	0.8-3	1000
VLP1-D-3	2	16.5	4.7	1.5	3	6.4	2.5	4.7	1.5	0.8-3	1000
VLP1-D-4	2	21.8	4.7	1.5	3	6.4	2.5	4.7	1.5	0.8-3	1000
VLP1-D-5	2	26.1	4.7	1.5	3	6.4	2.5	4.7	1.5	0.8-3	1000
VLP2-D-1	2	12.7	7.5	2.45	5	10	3	7.5	2.4	0.8-3	1000
VLP2-D-3	2	16.5	7.5	2.45	5	10	3	7.5	2.4	0.8-3	1000
VLP2-D-4	2	21.8	7.5	2.45	5	10	3	7.5	2.4	0.8-3	1000
VLP2-D-5	2	26.1	7.5	2.45	5	10	3	7.5	2.4	0.8-3	1000
VLP2-D-6	2	55	7.5	2.45	5	10	3	7.5	2.4	0.8-3	1000

## LED Lens Cover

LEDC

Clear Polycarbonate, RMS-215

- Cover supplied with standard 10° angled lens.

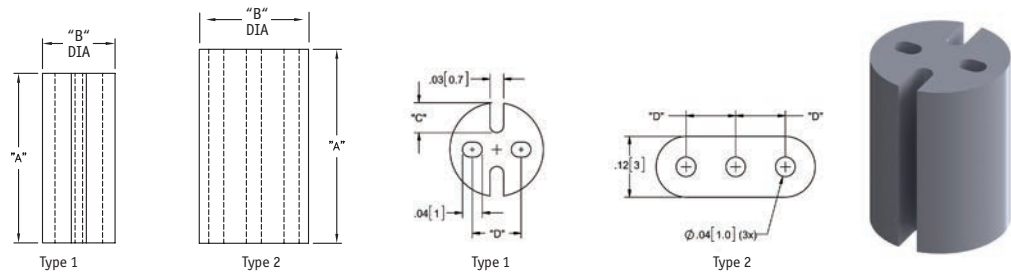


Part Number	Details	Mounting Hole Ø (mm)	Panel Thickness	O-Ring Material	Fits LED	Std Pack Qty
LEDC-1	Cover	7.6	4.5	-	T1-3/4 (5mm)	1000
LEDC-2	Cover with O-Ring	7.6	3	Black Neoprene Rubber, RMS-279	T1-3/4 (5mm)	1000

## LED Spacers

LEDS1/LEDS2/LEDS3

PVC, RMS-317/RMS-26

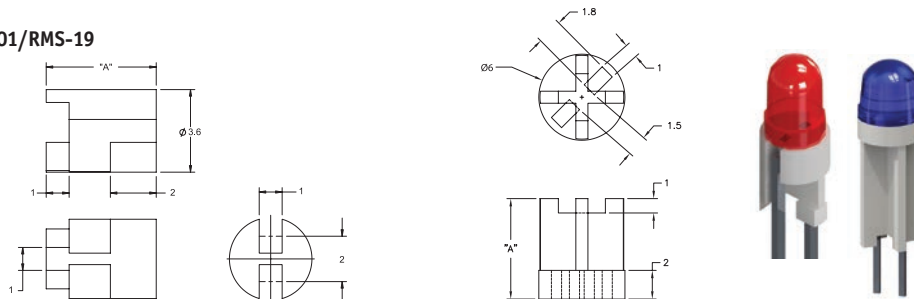


Part Number	Type	Fits LED	Dimensions (mm)				Material	Std Pack Qty
			"A" ±.020	"B" ±.020	"C"	"D" Ref.		
LEDS1-3-26	1	T-1 (3mm)	4.8	4	1.2	1.5	PVC, RMS-317	1000
LEDS1-4-26	1	T-1 (3mm)	6.4	4	1.2	1.5	PVC, RMS-317	1000
LEDS1-6-26	1	T-1 (3mm)	9.5	4	1.2	1.5	PVC, RMS-317	1000
LEDS1-8-26	1	T-1 (3mm)	12.7	4	1.2	1.5	PVC, RMS-317	1000
LEDS1-10-26	1	T-1 (3mm)	15.9	4	1.2	1.5	PVC, RMS-317	1000
LEDS1-12-26	1	T-1 (3mm)	19.1	4	1.2	1.5	PVC, RMS-317	1000
LEDS1-14-26	1	T-1 (3mm)	22.2	4	1.2	1.5	PVC, RMS-317	1000
LEDS2-3-26	1	T-1 3/4 (5mm)	4.8	4.8	1.5	2.5	PVC, RMS-317	1000
LEDS2-4-26	1	T-1 3/4 (5mm)	6.4	4.8	1.5	2.5	PVC, RMS-317	1000
LEDS2-6-26	1	T-1 3/4 (5mm)	9.5	4.8	1.5	2.5	PVC, RMS-317	1000
LEDS2-8-26	1	T-1 3/4 (5mm)	12.7	4.8	1.5	2.5	PVC, RMS-317	1000
LEDS2-10-26	1	T-1 3/4 (5mm)	15.9	4.8	1.5	2.5	PVC, RMS-317	1000
LEDS2-12-26	1	T-1 3/4 (5mm)	19.1	4.8	1.5	2.5	PVC, RMS-317	1000
LEDS2-14-26	1	T-1 3/4 (5mm)	22.2	4.8	1.5	2.5	PVC, RMS-317	1000
LEDS3-3-26	2	T-1 (3mm) & T-1 3/4 (5mm)	4.8	8.1	-	2.5	PVC, RMS-26	1000
LEDS3-4-26	2	T-1 (3mm) & T-1 3/4 (5mm)	6.4	8.1	-	2.5	PVC, RMS-26	1000
LEDS3-6-26	2	T-1 (3mm) & T-1 3/4 (5mm)	9.5	8.1	-	2.5	PVC, RMS-26	1000
LEDS3-8-26	2	T-1 (3mm) & T-1 3/4 (5mm)	12.7	8.1	-	2.5	PVC, RMS-26	1000
LEDS3-10-26	2	T-1 (3mm) & T-1 3/4 (5mm)	15.9	8.1	-	2.5	PVC, RMS-26	1000
LEDS3-12-26	2	T-1 (3mm) & T-1 3/4 (5mm)	19.1	8.1	-	2.5	PVC, RMS-26	1000

## LED Spacers

LEDS1E/LEDS2E

Natural, Nylon 6/6 RMS-01/RMS-19

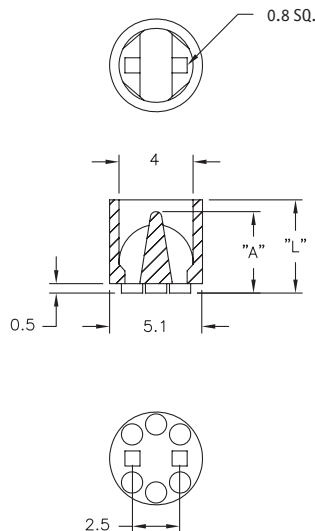


Part Number		Fits LED	Part Number		Fits LED	"A" (mm)	Std Pack Qty
UL94 V2 Nylon 6/6, RMS-01	UL94 VO Nylon 6/6, RMS-19		UL94 V2 Nylon 6/6, RMS-01	UL94 VO Nylon 6/6, RMS-19			
LEDS1E-3-01	LEDS1E-3-19	T-1 (3mm)	LEDS2E-3-01	LEDS2E-3-19	T-1 3/4 (5mm)	4.8	1000
LEDS1E-4-01	LEDS1E-4-19	T-1 (3mm)	LEDS2E-4-01	LEDS2E-4-19	T-1 3/4 (5mm)	6.4	1000
LEDS1E-6-01	LEDS1E-6-19	T-1 (3mm)	LEDS2E-6-01	LEDS2E-6-19	T-1 3/4 (5mm)	9.5	1000
LEDS1E-8-01	LEDS1E-8-19	T-1 (3mm)	LEDS2E-8-01	LEDS2E-8-19	T-1 3/4 (5mm)	12.7	1000
LEDS1E-10-01	LEDS1E-10-19	T-1 (3mm)	LEDS2E-10-01	LEDS2E-10-19	T-1 3/4 (5mm)	15.9	1000
LEDS1E-12-01	LEDS1E-12-19	T-1 (3mm)	LEDS2E-12-01	LEDS2E-12-19	T-1 3/4 (5mm)	19.1	1000
LEDS1E-14-01	LEDS1E-14-19	T-1 (3mm)	LEDS2E-14-01	LEDS2E-14-19	T-1 3/4 (5mm)	22.2	1000
LEDS1E-16-01	LEDS1E-16-19	T-1 (3mm)	LEDS2E-16-01	LEDS2E-16-19	T-1 3/4 (5mm)	25.4	1000

## LED Spacer

LEDS2M

Natural Nylon 6/6 RMS 01

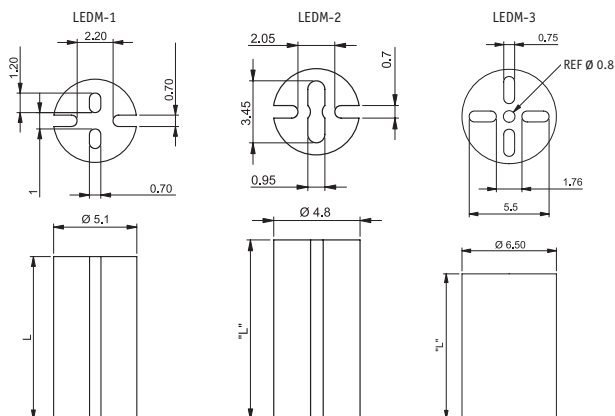


Part Number	"L"	"A" Ref	Fits LED	Std Pack Qty
LEDS2M-120-01	3.1	2	T-1 3/4 (5mm)	1000
LEDS2M-140-01	3.6	2	T-1 3/4 (5mm)	1000
LEDS2M-160-01	4.1	2	T-1 3/4 (5mm)	1000
LEDS2M-180-01	4.5	2	T-1 3/4 (5mm)	1000
LEDS2M-200-01	5.1	2	T-1 3/4 (5mm)	1000
LEDS2M-220-01	5.6	2	T-1 3/4 (5mm)	1000
LEDS2M-240-01	6.1	2	T-1 3/4 (5mm)	1000
LEDS2M-250-01	6.4	5.1	T-1 3/4 (5mm)	1000
LEDS2M-260-01	6.6	5.1	T-1 3/4 (5mm)	1000
LEDS2M-280-01	7.1	5.1	T-1 3/4 (5mm)	1000
LEDS2M-300-01	7.8	5.1	T-1 3/4 (5mm)	1000
LEDS2M-320-01	8.1	5.1	T-1 3/4 (5mm)	1000
LEDS2M-340-01	8.6	5.1	T-1 3/4 (5mm)	1000
LEDS2M-360-01	9.1	5.1	T-1 3/4 (5mm)	1000
LEDS2M-380-01	9.7	8.4	T-1 3/4 (5mm)	1000
LEDS2M-400-01	10.2	8.4	T-1 3/4 (5mm)	1000
LEDS2M-420-01	10.7	8.4	T-1 3/4 (5mm)	1000
LEDS2M-440-01	11.2	8.4	T-1 3/4 (5mm)	1000
LEDS2M-450-01	11.4	8.4	T-1 3/4 (5mm)	1000
LEDS2M-460-01	11.7	8.4	T-1 3/4 (5mm)	1000
LEDS2M-500-01	12.7	11.4	T-1 3/4 (5mm)	1000
LEDS2M-550-01	14	11.4	T-1 3/4 (5mm)	1000
LEDS2M-600-01	15.2	11.4	T-1 3/4 (5mm)	1000
LEDS2M-650-01	16.5	14.7	T-1 3/4 (5mm)	1000
LEDS2M-750-01	19.1	17.8	T-1 3/4 (5mm)	1000
LEDS2M-850-01	21.6	17.8	T-1 3/4 (5mm)	1000
LEDS2M-900-01	22.9	17.8	T-1 3/4 (5mm)	1000

## High Temperature Metric LED Spacers

LEDM

Black PVC RMS-388



Part Number			"L" (mm)	Std Pack Qty
Fits LED T-1 3/4 (5mm)	Fits LED T-1 (3mm)	Fits LED T-1 3/4 (5mm)		
LEDM-1-02	LEDM-2-02	LEDM-3-02	2	1000
LEDM-1-03	LEDM-2-03	LEDM-3-03	3	1000
LEDM-1-04	LEDM-2-04	LEDM-3-04	4	1000
LEDM-1-05	LEDM-2-05	LEDM-3-05	5	1000
LEDM-1-06	LEDM-2-06	LEDM-3-06	6	1000
LEDM-1-07	LEDM-2-07	LEDM-3-07	7	1000
LEDM-1-08	LEDM-2-08	LEDM-3-08	8	1000
LEDM-1-09	LEDM-2-09	LEDM-3-09	9	1000
LEDM-1-10	LEDM-2-10	LEDM-3-10	10	1000
LEDM-1-11	LEDM-2-11	LEDM-3-11	11	1000
LEDM-1-12	LEDM-2-12	LEDM-3-12	12	1000
LEDM-1-13	LEDM-2-13	LEDM-3-13	13	1000
LEDM-1-14	LEDM-2-14	LEDM-3-14	14	1000
LEDM-1-15	LEDM-2-15	LEDM-3-15	15	1000
LEDM-1-16	LEDM-2-16	LEDM-3-16	16	1000
LEDM-1-17	LEDM-2-17	LEDM-3-17	17	1000
LEDM-1-18	LEDM-2-18	LEDM-3-18	18	1000
LEDM-1-19	LEDM-2-19	LEDM-3-19	19	1000
LEDM-1-20	LEDM-2-20	LEDM-3-20	20	1000
LEDM-1-21	LEDM-2-21	LEDM-3-21	21	1000
LEDM-1-22	LEDM-2-22	LEDM-3-22	22	1000
LEDM-1-23	LEDM-2-23	LEDM-3-23	23	1000
LEDM-1-24	LEDM-2-24	LEDM-3-24	24	1000
LEDM-1-25	LEDM-2-25	LEDM-3-25	25	1000
LEDM-1-26	LEDM-2-26	LEDM-3-26	26	1000
LEDM-1-27	LEDM-2-27	LEDM-3-27	27	1000
LEDM-1-28	LEDM-2-28	LEDM-3-28	28	1000
LEDM-1-29	LEDM-2-29	LEDM-3-29	29	1000
LEDM-1-30	LEDM-2-30	LEDM-3-30	30	1000

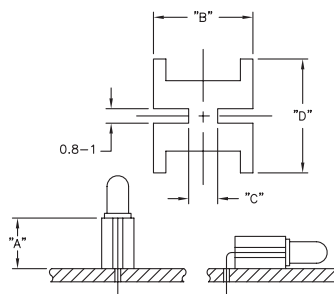
## Square LED Spacers

### SQLEDS

Black UL94 V0 PVC, RMS-26

- Horizontal or vertical mounting

Part Number	Fits LED	Dimensions (mm)				Std Pack Qty
		"A" ± 0.5	"B"	"C"	"D" Ref	
SQLEDS1-4-26	T-1 (3mm)	6.4	4.3	0.8	4.3	1000
SQLEDS1-6-26	T-1 (3mm)	9.5	4.3	0.8	4.3	1000
SQLEDS2-4-26	T-1-3/4 (5mm)	6.4	6.1	1.8	6.9	1000
SQLEDS2-6-26	T-1-3/4 (5mm)	9.5	6.1	1.8	6.9	1000
SQLEDS2-8-26	T-1-3/4 (5mm)	12.7	6.1	1.8	6.9	1000
SQLEDS2-12-26	T-1-3/4 (5mm)	19.1	6.1	1.8	6.9	1000



## LED Holder

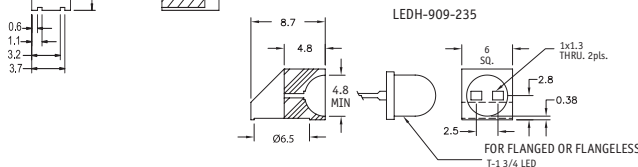
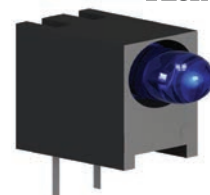
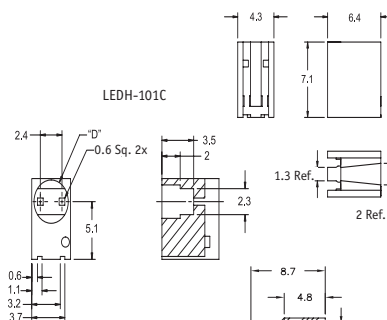
### LEDH

Black UL94 V0 Nylon 6/6, RMS-43

Part Number	Ø "D" (mm)	Fits LED	Std Pack Qty
LEDH-101C-34	3.4	T-1 (3mm)	1000
LEDH-101C-38	3.8	T-1 (3mm)	1000

Black UL94 V2 Nylon 6/6, RMS-48

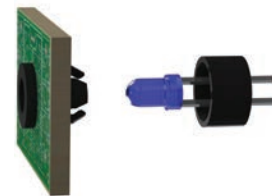
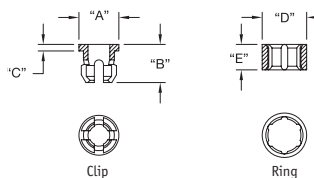
Part Number	Fits LED	Std Pack Qty
LEDH-909-235	T-1 3/4 (5mm)	1000



## LED Clips & Rings

### LEDCR

- The devices go together by simply inserting the "clip" to the front of the panel, then assembling the LED into the "clip" from the rear of the panel. The "ring" is pressed onto the rear of the "clip" for a firm retention
- Black



Part Number	Ring Material	Clip Material	LED Type	Mounting Hole	Panel Thickness	Dimensions (mm)					Std Pack Qty
						"A" Ø	"B"	"C"	"D" Ø	"E"	
LEDCR-104	UL94 V0 Nylon 6/6, RMS-43	UL94 V0 Nylon 6/6, RMS-43	T-1 (3mm)	4.4 - 4.6	0.8 - 3.2	5.3	5.3	0.38	6.1	3.6	1000
LEDCR-174	UL94 V2 Nylon 6/6, RMS-48	UL94 V0 Nylon 6/6, RMS-43	T-1-3/4 (5mm)	6.8 - 6.9	0.8 - 3.2	7.6	6.6	0.76	8.9	4.1	1000

## LED Holder; Panel Mount

### LEDHPM

- Natural UL94 V2 Nylon 6/6, RMS-01

Part Number	Mounting Hole Ø	Panel Thickness	Fits LED	Std Pack Qty
LEDHPM-1	7.14 - 7.29	1.12 - 1.22	T-1 3/4 (5mm)	1000

