



# LED-25W TE/LE Series

Line Voltage Dimmable  
Constant Current LED Drivers

Rev 12-26-2018



## Electrical Specifications

Input Voltage Range:	100-277 Vac input, 120-230 Vac phase dimming only
Frequency:	50/60 Hz Nom. (47-63 Hz Min/Max)
Power Factor:	>0.90 @ full load, 100V through 277V without dimmer
Inrush Current:	<10 Amps max @ 120Vac, cold start 25°C
Input Current (Max):	0.25 A max 120Vac 60Hz, max load
Maximum Power:	25W
Current Regulation:	± 5% Over input line variation
Load Regulation:	± 8%
THD:	<20% @ full load, 120V
Typical Efficiency	84% at 120Vac

## Protections

Over-voltage	Output
Over-current	Output
Short Circuit	Auto Recovery

## Environmental Specifications

Max Case Life Temp: (5 year warranty)	70°C
Maximum Case Temp (UL):	90°C
Minimum Starting Temp:	-30°C
Storage Temperature:	-40°C to +85°C
Humidity:	5% to 95%
Cooling:	Convection
Vibration Frequency:	5 to 55 Hz/2g, 30 minutes
Sound Rating:	Class A
Impact Resistance:	1g/s
MTBF:	402,000 Hours @ full load per MIL-217F Notice 2
EMC:	FCC 47CFR Part 15 Class B compliant
Weight:	7.0 oz. (198 g)

- Total Power: 25 Watts
- 0%-100% ( depends on dimmer control)
- Input Voltage: 100-277 Vac Nom.
- UL Dry & Damp Location Rated
- IP66 & NEMA4
- Black Magic Thermal Advantage™ Plastic Housing
- High Power Factor

**Note:**  
LED drivers are designed and intended to operate LED loads only. Non-LED loading may be outside the specified design limits of our LED drivers, and therefore cannot be covered by any warranty. If you desire to use our LED drivers to operate non-LED loads please contact us to discuss compatibility.



## ELV Dimming Models

Model	Output Voltage Range (Vdc)	Output Current (mA ±4%)	Max. Output Power (W)	Typical Efficiency
LED25W-72-C0350-TE	36-72	350	25	86%
LED25W-48-C0520-TE	24-48	520	25	85%
LED25W-36-C0700-TE	18-36	700	25	84%
LED25W-24-C1040-TE	12-24	1040	25	83%

For use with electronic low voltage dimmers

## INC Dimming Models

Model	Output Voltage Range (Vdc)	Output Current (mA ±4%)	Max. Output Power (W)	Typical Efficiency
LED25W-72-C0350-LE	36-72	350	25	86%
LED25W-48-C0520-LE	24-48	520	25	85%
LED25W-36-C0700-LE	18-36	700	25	84%
LED25W-24-C1040-LE	12-24	1040	25	83%

For use with standard incandescent dimmers

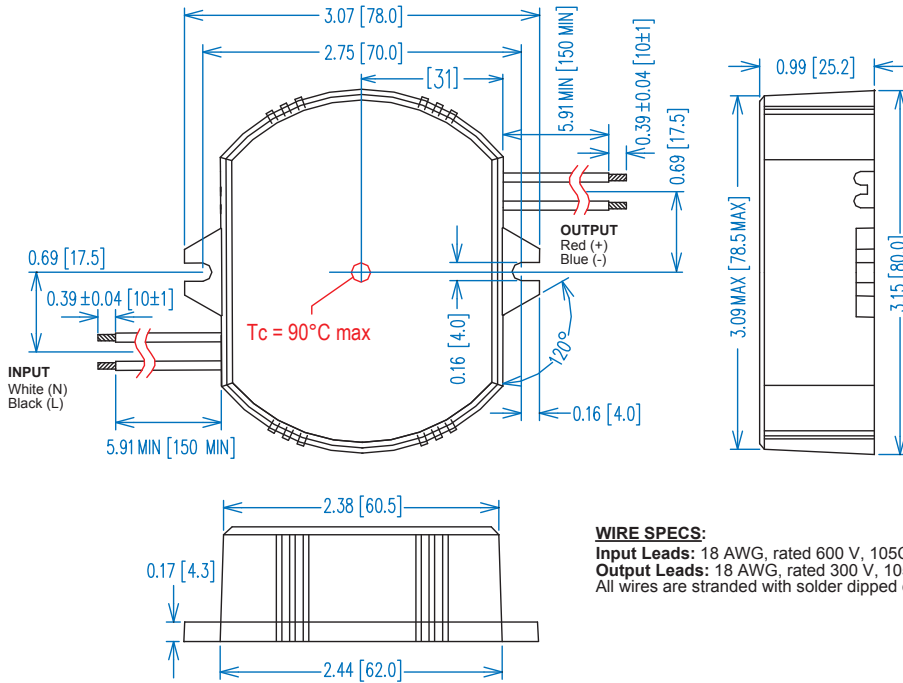
Class 2: US/Canada

## Safety & EMC Compliance

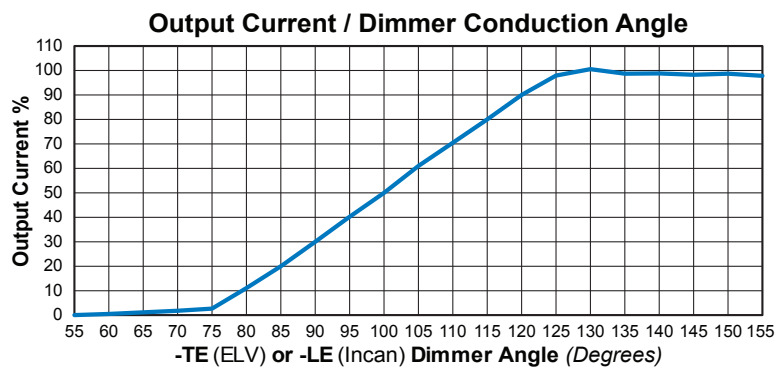
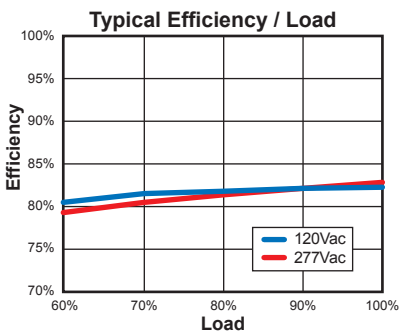
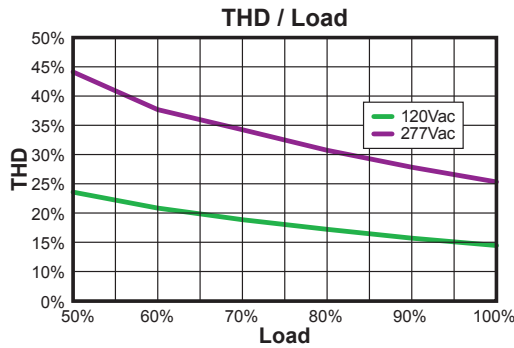
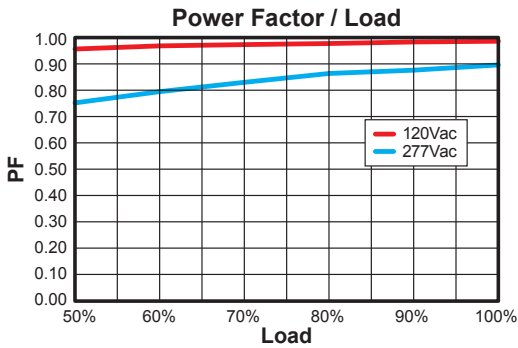
UL/CUL	UL8750, CSA-C22.2
CE	EN 61347
FCC Part 15	Class B
EN61000-3-2	
EN61000-3-3	Class C



**Dimensions**



**Power Characteristics**



**UL Conditions of Acceptability**

See website for additional information