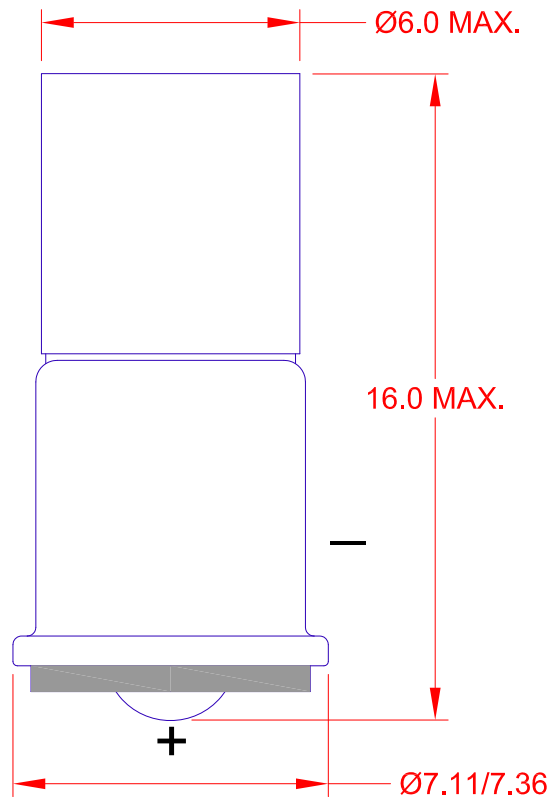


T-1 3/4 MIDGET FLANGE BASE LED



JKL PART NUMBER	EMITTING COLOR	AMPERAGE mA	VOLTAGE Vdc	LUMENS	VIEWING ANGLE
LE-MF-12W	WHITE	15	12	3.5	40°
LE-MF-24W	WHITE	15	24	3.5	40°

OPERATING TEMPERATURE RANGE -30°C TO +85°C

STORAGE TEMPERATURE RANGE -40°C TO +100° C

NOTES:

- LED includes integrated diode for reverse voltage protection.
- LED includes integrated resistor for current limiting.

		 THIRD ANGLE PROJECTION		METRIC DIMENSIONS ARE IN MILLIMETERS TOLERANCE UNLESS OTHERWISE SPECIFIED 1 PL +/- 0.2 2 PL +/- 0.20 ANGLE +/- 0		JKL COMPONENTS CORPORATION				
				TITLE T-1 3/4 MIDGET FLANGE BASE LED						
DRAWN BY L. WENGSTROM		APPVD BY L.R.		DATE 6/13/12		SIZE A	FSCM NO. 55335	DRAWING NO. LE-MF MULTI		
- CAD DRAWING - MANUAL REVISIONS NOT PERMITTED		SCALE NONE		RELEASED DATE 6/13/12		REVISION DATE		REV. NO.	SHEET 1 OF 1	
REV. NO.	DESCRIPTION/ECO NUMBER	APPVD DATE		6/13/12						
RELEASED										