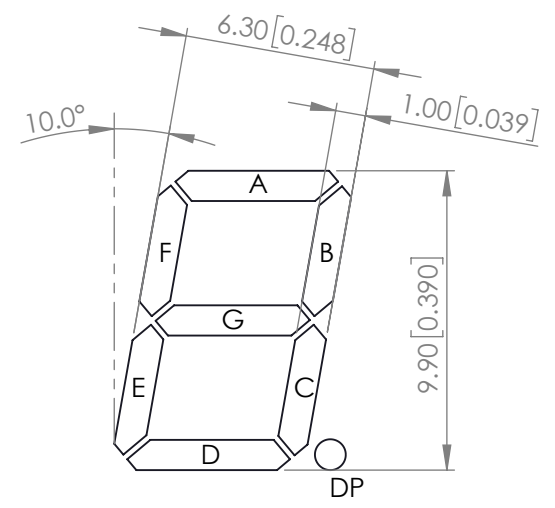
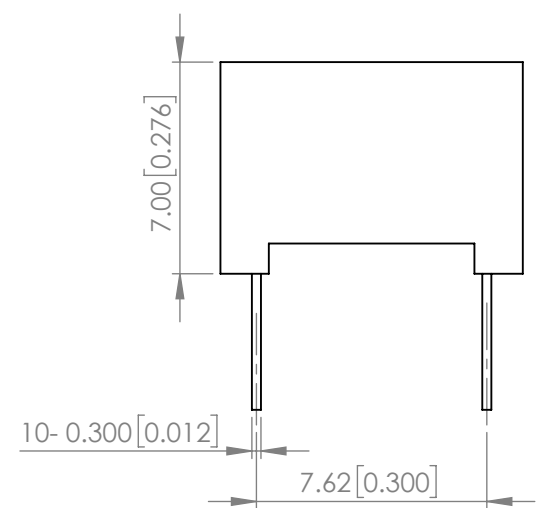
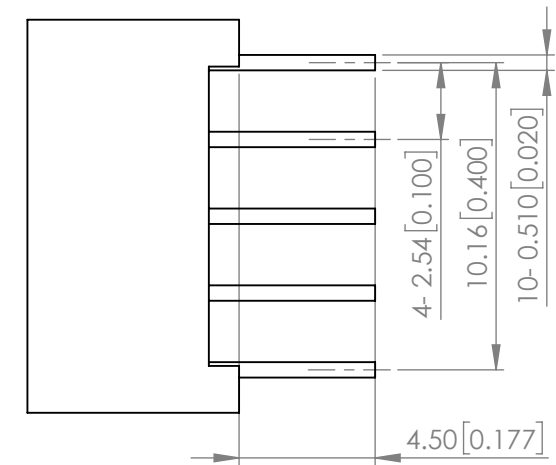
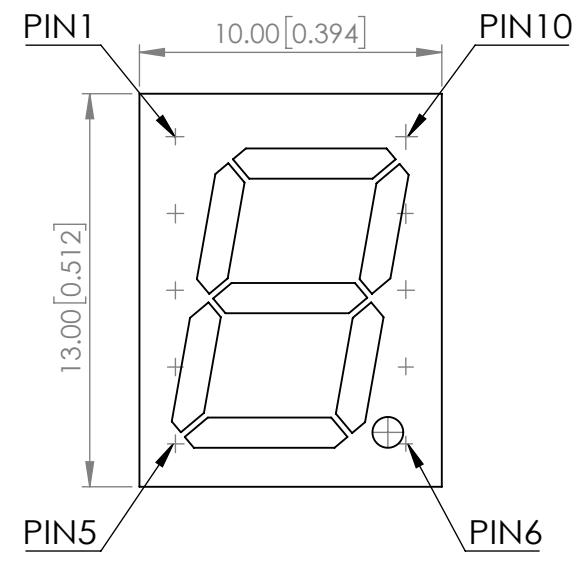
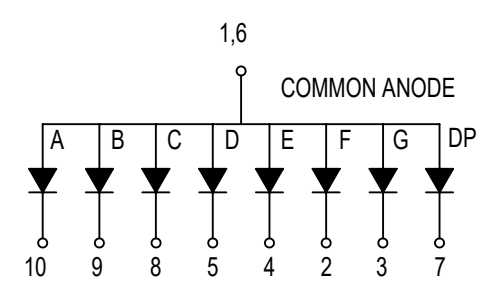


PART NUMBER		LDS-A3912RI	REV	A
REV	E.C.N. NUMBER AND REVISION COMMENTS			DATE
A	ECN-Lumex202300012			02.16.23



**CIRCUIT DIAGRAM**



**ELECTRO-OPTICAL CHARACTERISTIC TA=25°C PER SEGMENT**

PARAMETER	MIN	TYP	MAX	UNITS	TEST COND
PEAK WAVELENGTH	-	565	-	nm	If=10mA
FORWARD VOLTAGE	-	2.2	2.6	Vf	If=10mA
REVERSE CURRENT	-	-	100	uA	VR=5V
LUMINOUS INTENSITY	-	3500	-	ucd	If=10mA
EMITTED COLOR	GREEN				
FONT COLOR	GRAY				
SEGMENT COLOR	MILKY WHITE DIFFUSED				

**ABSOLUTE MAXIMUM RATINGS TA=25°C PER SEGMENT**

PARAMETER	MAX	UNITS
PEAK FORWARD CURRENT*	150	mA
FORWARD CURRENT	25	mA
POWER DISSIPATION	65	mW
REVERSE VOLTAGE	5	V
STORAGE TEMPERATURE	-40 TO +85	°C
OPERATING TEMPERATURE	-40 TO +85	°C
SOLDERING TEMPERATURE**	3 SEC MAX. @ 260	°C

\* t<10us

\*\* AT 2mm DISTANCE FROM THE CASE OF REFLECTOR EDGE.

\*UNLESS OTHERWISE SPECIFIED TOLERANCES PER DECIMAL PRECISION ARE: X=±1 (±0.039), X.X=±0.5 (±0.020), X.XX=±0.25 (±0.010), X.XXX=±0.127 (±0.005). LEAD SIZE=±0.05 (±0.002), LEAD LENGTH=±0.75 (±0.030). MIN= <sup>+DECIMAL PRECISION</sup>/<sub>-0.00</sub> MAX= <sup>+0.00</sup>/<sub>-DECIMAL PRECISION</sub>