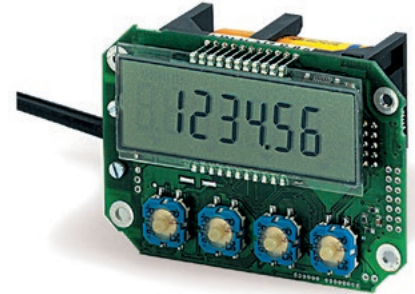


- Quasi-absolute LCD display, 14 mm height
- Max. display accuracy 0,01 mm or 1/64 inch
- Actual value memory
- Linear & Angular display mode
- Compact OEM version without housing
- Reading distance sensor/tape up to 1 mm
- RS232 interface (optional)



LD141

PARAMETERS

3 offset values, Preset value, Linear and angular display mode, mm & fractional inch display, Relative/absolute measurement

ENVIRONMENTAL SPECIFICATIONS

Operating temperature range: 0°C to +50°C (+32°F to +122°F)
 Storage temperature range: -20°C to +80°C (-4°F to +176°F)
 Protection: IP00 (or depending on customers assembly)

MECHANICAL SPECIFICATIONS

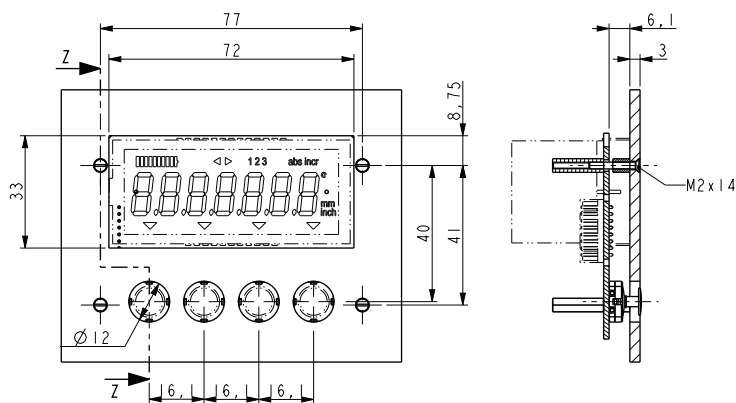
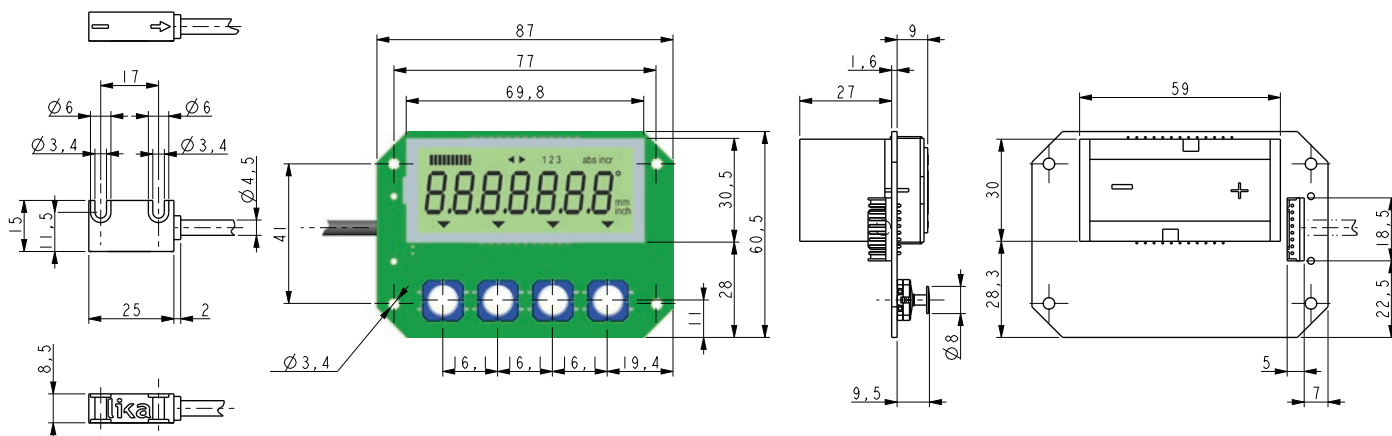
Display resolution: max. 0,01 mm or 1/64 inch
 System accuracy: ± 0,05 mm typ.
 Repeat accuracy: ± 1 digit
 Display range: -999999 to 999999
 Measurement speed: max. 5 m/s
 Magnetic sensor: SM25
 Reading distance sensor/tape: 0,1 - 1,0 mm
 Dimensions: see drawing
 Connections: Battery holder (AAA type)
 Cable (sensor)
 DSub 9 pin (RS232)

ELECTRICAL SPECIFICATIONS

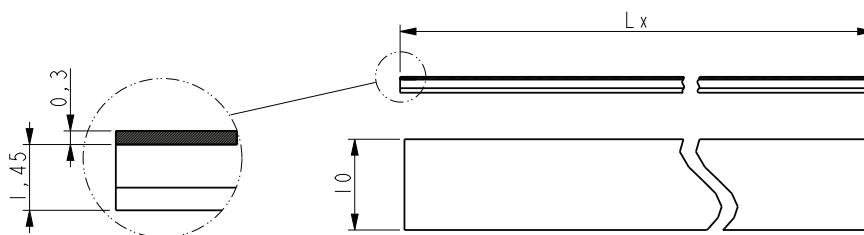
Power supply: Integrated batteries (2 x 1,5V)
 Consumption: ~ 700 µA
 Interface: RS232 (optional)

ACCESSORIES

MT25: Magnetic tape



LD141



MT25

Order code - Display

LD141	-	XX	X	XX	-	XX
		(a)	(b)	(c)		(d)

Order code - Tape

MT25	-	XX	-	XXX	-	X
		(a)		(b)		(c)

(a) INPUT M7 = magnetic sensor	(c) CABLE LENGTH 0,2 = cable 0,2 meters 1 = cable 1 meter X = cable X meters (5 meters max.)	(d) INTERFACE I1 = RS232
(b) SENSOR R = rectangular		

(a) LENGTH 1 = 1,0 m 2 = 2,0 m 4 = 4,0 m 10 = 10,0 m 20 = 20,0 m 30 = 30,0 m	(b) ACCURACY CLASS 100 = ± 85 µm/m 50 = ± 35 µm/m (up to 30 m)	(c) COVER STRIP 1 = included
---	---	--