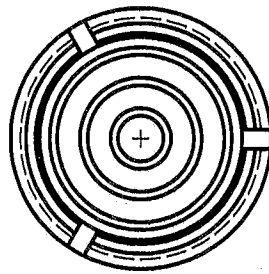
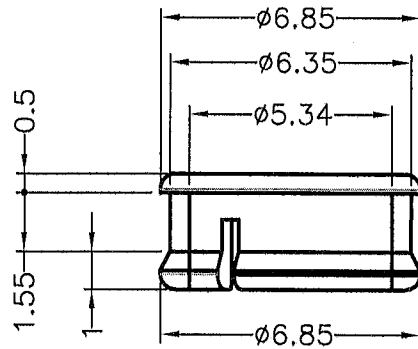




DIM.	TOL.
5mm DOWN	±0.2
5~20mm	±0.3
20~40mm	±0.4
40~60mm	±0.5
60~100mm	±0.8
100mm UP	±1.0

REVISIONS			
REV	DESCRIPTION	DATE	BY



MOUNTING HOLE $\phi 6.35^{\pm 0.05}$

NOTE: MADE OF EQUIVALENT MATERIAL.
使用同等材質

 康揚企業股份有限公司 KANG YANG HARDWARE ENTERPRISE CO., LTD. 康揚塑膠(東莞)有限公司 KANG YANG PLASTIC(DONG GUAN) CO., LTD. 康哲電腦配件(吳江)有限公司 KANG CHE COMPUTER COMPONENTS(WUJIANG) CO., LTD.				TITLE	LENS CAP	SPEC. DWG.
				MATERIAL	PC UL94V-2	DATE
PART NUMBER		DRAWING NUMBER		FINISH	DRAWN	
LC5-3		LC5-3			Linda	
SIZE	SCALE	UNIT	REV	COLOR	CHECK	
A4	6:1	mm	A	NATURAL		
				UNLESS OTHERWISE SPECIFIED TOLERANCE	APPROVED	
				SEE ABOVE	