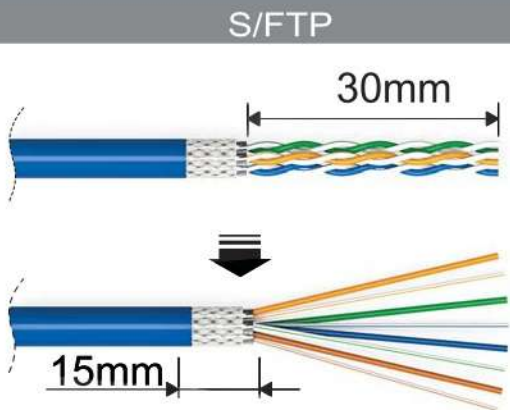


Assembly Guide

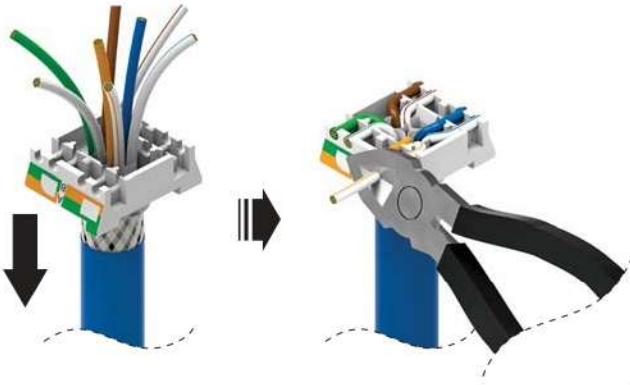
- 1** Remove about 3cm of the cable sheath. Keep the cable braid(foil) about 15mm.



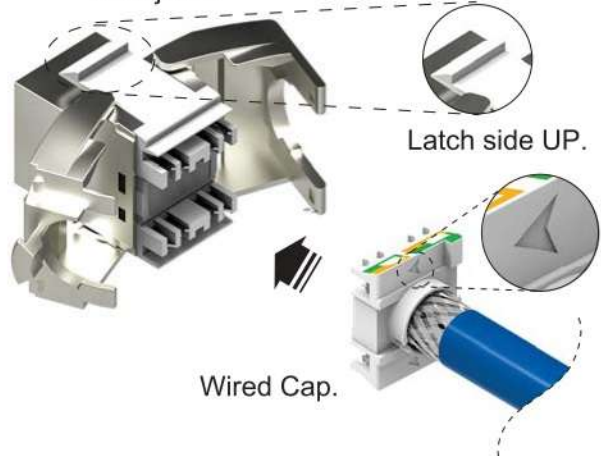
- 2** Release the Cap.



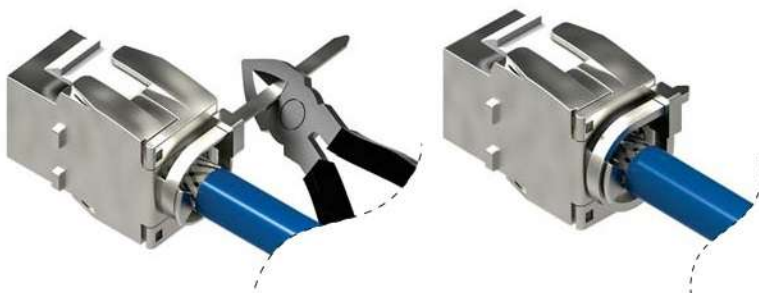
- 3** Reeve the cable end through the cap. Seat each colour coded wire in to the matching colour coded cap position. And use wire-cutter to trim off excess wire.



- 4** Ensure the Wire Cap follows relative position as the Latch and cover it with both jaws.



- 5** Thread the supplied cable tie through and then secure the braided shield by tightening it up & cut the cable tie.



Disconnection

1. Cut the cable tie.



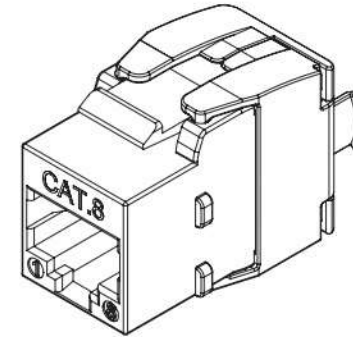
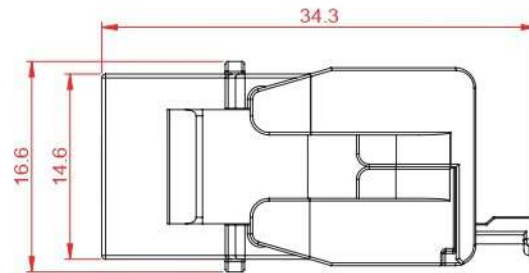
2. Insert a flat screw driver to unlock.



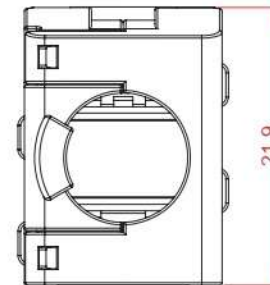
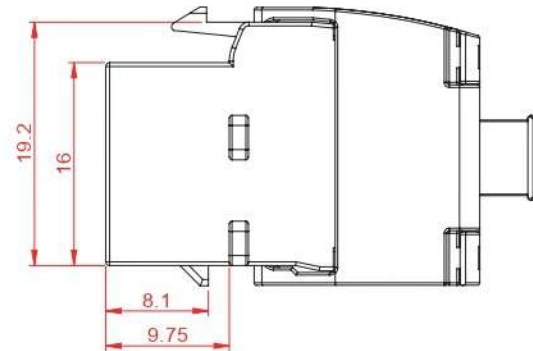
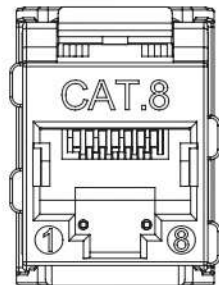
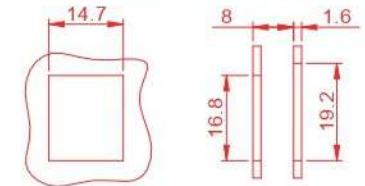
NOTE: ALL MATERIAL COMPLIANT ROHS STANDARD

ACCORDING TO : ANSI/TIA-568.2-D
 ISO/IEC 11801-1
 IEC 60603-7
 IEEE 802.3bt Power over Ethernet Plus Plus(4PPoE) application
 IEC 60512-99-002 Mating and un-mating connectors under electrical load

REVISION INFORMATION			
Rev.	Rev. Date	Modified By	Brief Description



SUGGESTED MOUNTING CUTOUT



ENCLOSURE

IDC CAP X 1 PC
 NYLON CABLE TIE X 1 PC
 INSTRUCTION X 1 PC



Cat 8

56Y4
 E145249

MATERIAL

BRACKET : NICKEL SILVER ALLOY.
 KEYSTONE JACK HOUSING : ZINC ALLOY,NICKEL PLATED.
 REAR HOUSING : ZINC ALLOY,NICKEL PLATED.
 KEYSTONE JACK LATCH : PC+ABS,UL94V-0.
 CONTACT HOLDER : PC,UL94V-0.
 JACK CONTACTS : PHOSPHOR BRONZE,50U" GOLD PAINTING.
 IDC PLASTIC : PC,UL94V-0.
 IDC TERMINALS : PHOSPHOR BRONZE,TIN OVER NICKEL UNDERCOAT.

PHYSICAL CHARACTERISTICS

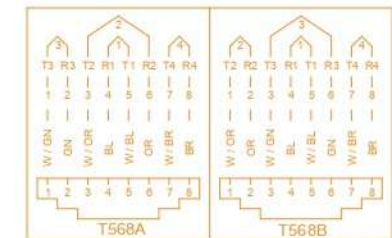
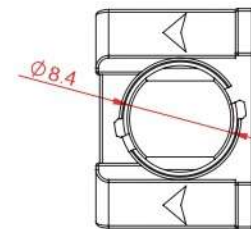
INSERTION LIFE : 750 MATING CYCLES WITH FCC COMPLIANT 8P PLUG.
 PLUG RETENTION FORCE : 11 LBF MINIMUM.
 DURABILITY : 30 TERMINATION CYCLES.
 CONTACT COMPATIBILITY : ACCOMMODATES 22 TO 24 AWG SOLID.
 OPERATING TEMPERATURE RANGE : -10 °C TO 60 °C.
 STORAGE TEMPERATURE RANGE : -40 °C TO 68 °C.
 HUMIDITY : 10% TO 90% RH (NON-CONDENSING).

ELECTRICAL

INSULATION RESISTANCE : 500 MΩ MINIMUM.
 DC CURRENT RATING : 1.5 Amps.
 INPUT TO OUTPUT D.C. RESISTANCE : 100 mΩ MAXIMUM.
 CONTACT RESISTANCE : 20 mΩ MAXIMUM.
 VOLTAGE PROOF (CONTACT TO CONTACT) : 1000 V A.C.
 VOLTAGE PROOF (CONTACT TO SHIELD) : 1500 V D.C.

NOTE

① ONLY ACCEPT RJ-45 8P8C PLUG.



COMPUCABLEPLUS
 PROVIDING CONNECTIVITY SOLUTIONS

NO.	PART NAME	SPECIFICATION DESCRIPTION	QTY	UNIT
③				
②				
①				

Unless specified on the drawing, tolerances are per the follows:
 .x +1
 .xx +0.2
 .xxx +0.05

DRAWN BY Shou	DATE: 4/13/2020	DESCRIPTION: Cat.8 Tool Less Shielded Keystone Jack
CHECKED BY	SHEET 1 of 3	ITEM NO. 101725
APPROVED BY	SCALE 1:1	REV. 00 UNIT:mm