

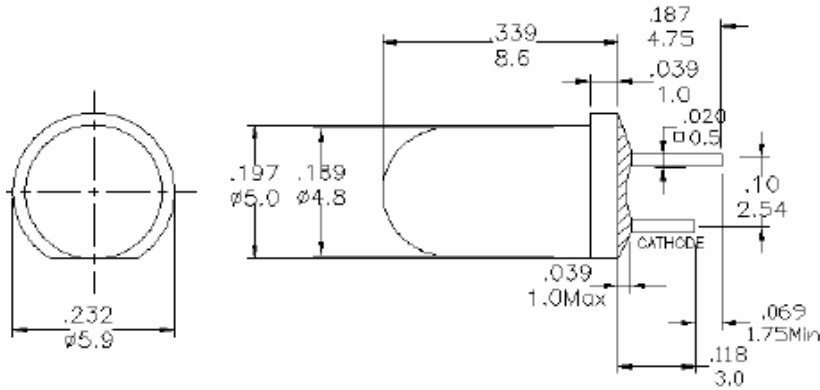


American Opto Plus LED L513YD-A

5mm Dia LED LAMP-yellow diffused

- ❖ 5mm super bright LED lamp
- ❖ Low power consumption
- ❖ I.C Compatible

PACKAGE DIMENSION:



* Tolerance : $\pm \frac{0.01}{0.25}$ Unit : $\pm \frac{\text{inch}}{\text{mm}}$

Feature

- Low Power Consumption
- I.C. compatible

Applications

- Front panel indicator
- Backlight

Description

- These High Intensity LEDs are Based on GaAsP/GaP Material Technology
- Yellow Diffusion Lens

SELECTION GUIDE

| Chip Material | Chip Emitted | Lens Color | Viewing Angle |
|---------------|--------------|-----------------|---------------|
| GaAsP/GaP | Yellow | Yellow Diffused | 45° |



American Opto Plus LED L513YD-A

5mm Dia LED LAMP-yellow diffused

- ❖ 5mm super bright LED lamp
- ❖ Low power consumption
- ❖ I.C Compatible

Absolute Maximum Ratings at Ta=25°C

| Symbol | Parameter | Max. | Unit |
|--------|---|---------------|------|
| PD | Power Dissipation | 84 | mW |
| VR | Reverse Voltage | 5 | V |
| IF | Forward Current | 30 | mA |
| IPF | Pulse Forward Current (Duty = 0.1 · 1kHz) | 100 | mA |
| Topr | Operating Temperature Range | - 40 to + 80 | °C |
| Tstg | Storage Temperature Range | - 40 to + 100 | °C |

Lead Soldering Temperature [1.6mm (0.063inch) From Body] 260°C For 5 Seconds.

Electrical / Optical Characteristics and Curves at Ta=25°C

| Symbol | Parameter | Test Condition | Min. | Typ. | Max. | Unit |
|--------|----------------------|----------------|------|------|------|------|
| VF | Forward Voltage | IF = 20 mA | | 2.1 | 2.8 | V |
| IR | Reverse Current | VR = 5 V | | | 100 | μA |
| λP | Peak Wavelength | IF = 20 mA | | 590 | | nm |
| Δθ | Viewing Angle 2θ 1/2 | IF = 20 mA | | 45 | | Deg |
| IV | Luminous Intensity | IF = 10 mA | 5.0 | 15.0 | | mcd |