



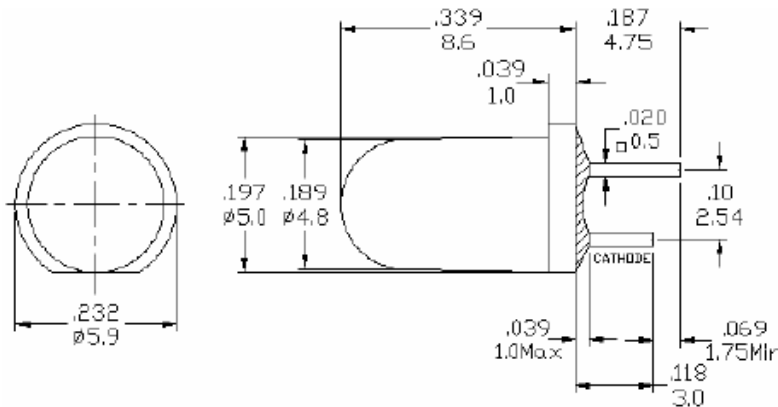
# American Opto Plus LED

## L513SRD-A

5mm Dia LED LAMP-red diffused

- ❖ 5mm super bright LED lamp
- ❖ I.C compatible
- ❖ Low power consumption

### PACKAGE DIMENSION:



\* Tolerance :  $\pm \frac{0.01}{0.25}$  Unit :  $\pm \frac{\text{inch}}{\text{mm}}$

### Feature

- Low Power Consumption
- High Intensity
- I.C. compatible

### Description

- These High Intensity LEDs are Based on GaAlAs/GaAs Material Technology
- Red Diffusion Lens

### Applications

- Commercial Outdoor Sign Board
- Automotive
- Front Panel Indicator
- Backlight
- LED Blub

### SELECTION GUIDE

Chip Material	Chip Emitted	Lens Color	Viewing Angle
GaA1As/GaAs	Red	Red Diffused	45°



## American Opto Plus LED

### L513SRD-A

5mm Dia LED LAMP-red diffused

- ❖ 5mm super bright LED lamp
- ❖ I.C compatible
- ❖ Low power consumption

### Absolute Maximum Ratings at Ta=25°C

Symbol	Parameter	Max.	Unit
PD	Power Dissipation	75	mW
VR	Reverse Voltage	5	V
IF	Forward Current	30	mA
IPF	Pulse Forward Current ( Duty = 0.1 · 1kHz )	100	mA
T <sub>opr</sub>	Operating Temperature Range	- 40 to + 80	°C
T <sub>stg</sub>	Storage Temperature Range	- 40 to + 100	°C

Lead Soldering Temperature [1.6mm ( 0.063inch ) From Body] 260°C For 5 Seconds.

### Electrical / Optical Characteristics and Curves at Ta=25°C

Symbol	Parameter	Test Condition	Min.	Typ.	Max.	Unit
V <sub>F</sub>	Forward Voltage	I <sub>F</sub> = 20 mA		1.8	2.5	V
I <sub>R</sub>	Reverse Current	V <sub>R</sub> = 5 V			100	μA
λ <sub>P</sub>	Peak Wavelength	I <sub>F</sub> = 20 mA		660		nm
Δθ	Viewing Angle 2θ 1/2	I <sub>F</sub> = 20 mA		45		Deg
I <sub>V</sub>	Luminous Intensity	I <sub>F</sub> = 20 mA	35	80		mcd