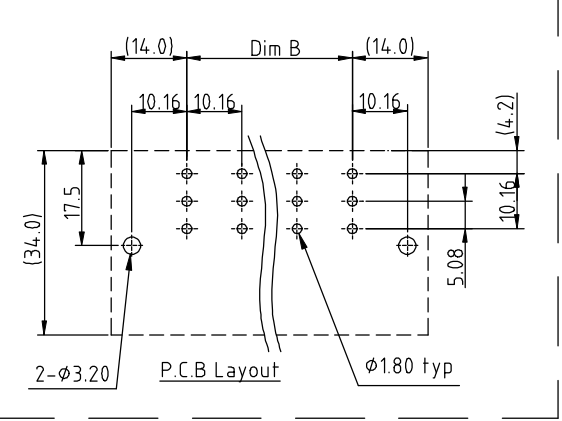
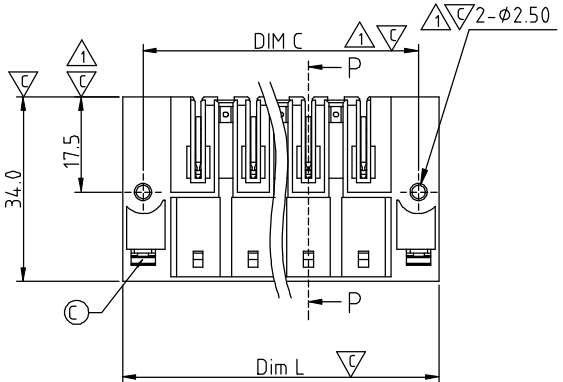


SIGN	DATE	DESCRIPTION	APPROVER
△	07/13`12	The dimension is added	Chen Bo
△	03/04`14	update the drawing	Chen Bo

THIS IS CAD DRAWING, DO NOT REVISE MANUALLY!!!

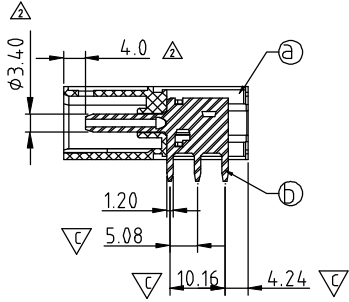
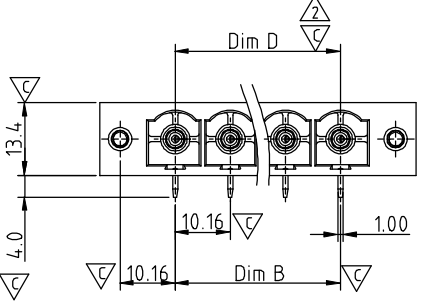


Material:

- Item a Terminal(housing): Thermoplastic,UL 94 - V0.
- Item b Male contact pin: Copper, Gold plated
- Item c With flange nut : Steel zinc plated M3

Electrical: cULus / IEC

- Voltage rating: 300V / 1000V
- Current rating: 55A / 76A
- Withstanding Voltage: 1.6 KV / 8 KV
- Operating temperature: -40°C to +115°C
- Soldering temperature: 260°C±5°C/5 Sec
- Safety Approval:
- Critical dimension: ▽



SECTION P-P

△ EW xx 62 x 1 xxxx G

Solid Block ←
 02 2Contacts
 03 3Contacts
 ..
 12 12Contacts

Color
 0 Black (RAL9005)
 2 Red (RAL3001/D)
 3 Orange(RAL2011/P)
 4 Yellow(RAL1018/A)
 5 Green(RAL6018/T)
 6 Blue (RAL5015/A)
 8 Grey(RAL7035/D)
 9 White(RAL1102)
 C Green(RAL6018/U)

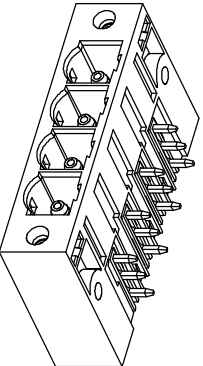
→G RoHS compliant (lead<4%)
 In copper Alloy
 →0000 Standard @ Logo
 000A Standard ANY Logo
 Any special item by customer request, please contact sales department.

Dimension

Dim L	(N+1)×10.16+7.6
Dim B	(N-1)×10.16
Dim C	(N+1)×10.16
Dim D	(N-1)×10.16

N=Number of poles

POLES	TOL
2p-5p	±0.25
6p-8p	±0.35
9p-12p	±0.45



ANYTEK				CUSTOMER COPY															
ALL RIGHTS RESERVED. REPRODUCTION OR ISSUE TO THIRD PARTIES IN ANY FORM WHATSOEVER IS NOT PERMITTED WITHOUT WRITTEN AUTHORITY FROM THE PROPRIETOR. PROPERTY OF ANYTEK TECHNOLOGY CO., LTD																			
TITLE	EW 10.16 Series 2p-12p Right -Angle with flange (down)																		
PART NO.	EWxx62x1xxxxG			DWG NO.	8EW0004														
APPROVED	CHECKED	DESIGNED	DRAWN	CUST NO.	Tolerance														
		Chen Bo 03/04`14	Chen Bo 03/04`14		<table border="1"> <tr> <td>UNIT: mm</td> <td>X.</td> <td>±0.50</td> </tr> <tr> <td>SCALE: NONE</td> <td>X.X</td> <td>±0.30</td> </tr> <tr> <td></td> <td>X.XX</td> <td>±0.10</td> </tr> <tr> <td></td> <td>X°</td> <td>±1°</td> </tr> </table>			UNIT: mm	X.	±0.50	SCALE: NONE	X.X	±0.30		X.XX	±0.10		X°	±1°
UNIT: mm	X.	±0.50																	
SCALE: NONE	X.X	±0.30																	
	X.XX	±0.10																	
	X°	±1°																	
				SHEET: 01/01	REV.: D														