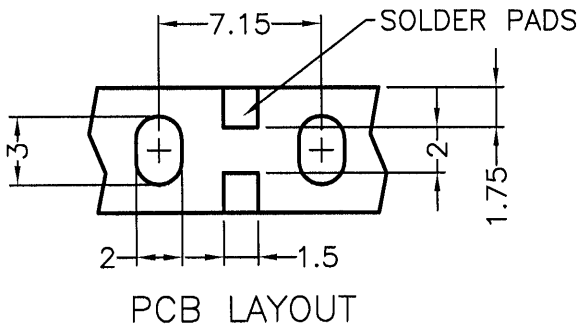
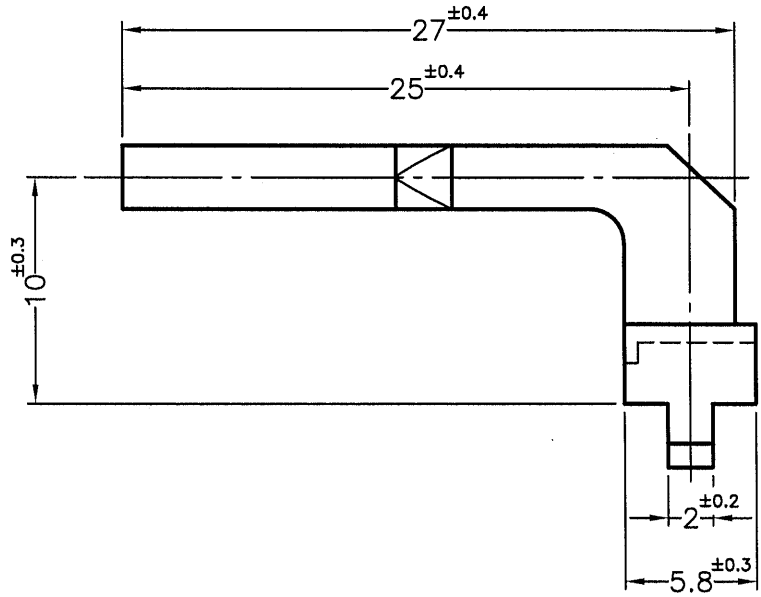
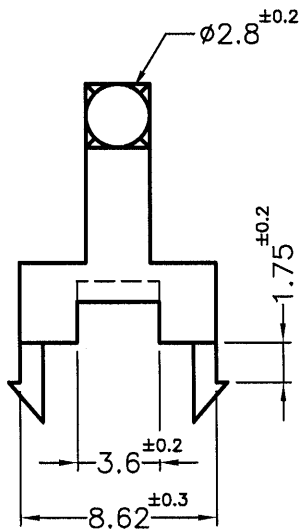



REVISIONS			
REV	DESCRIPTION	DATE	BY



NOTE: MADE OF EQUIVALENT MATERIAL.  
可使用同等材質。

 <p>康揚企業股份有限公司 KANG YANG HARDWARE ENTERPRISE CO., LTD. 康揚塑膠(東莞)有限公司 KANG YANG PLASTIC(DONG GUAN) CO., LTD. 康哲電腦配件(吳江)有限公司 KANG CHE COMPUTER COMPONENTS(WUJIANG) CO., LTD.</p>				TITLE	LIGHT PIPE	SPEC. DWG	
				MATERIAL	PC UL94V-2	DATE	2006.02.06
				FINISH		DRAWN	Linda
				COLOR	TRANSPARENT	CHECK	Will
PART NUMBER	LPE1-10-26	DRAWING NUMBER	LPE1-10-26	UNLESS OTHERWISE SPECIFIED TOLERANCE	SEE ABOVE	APPROVED	Kang
SIZE	A4	SCALE	3:1	UNIT	mm	REV	C