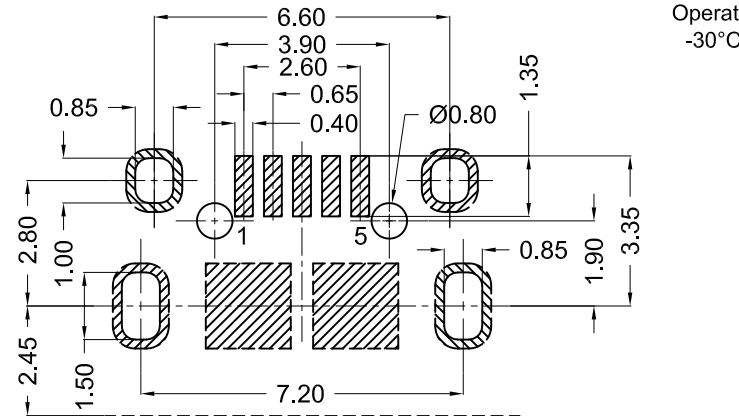
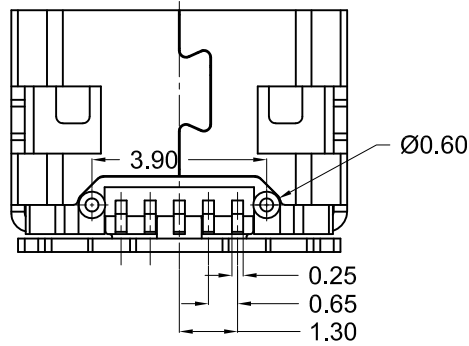
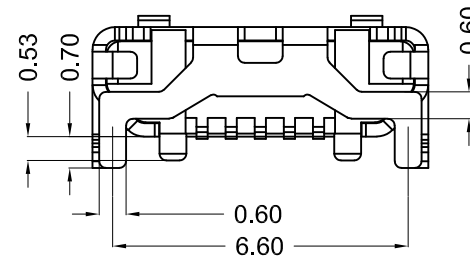


Section A-A



RECOMMENDED PCB LAYOUT (TOP VIEW)

**Material and Finish**

Insulator: High Temp, Thermoplastic, UL 94V-0 Rated, Black

Shell: SUS, Nickel Plated

Contact Material: Phosphor Bronze

Contact Plating: Gold Flash on Solder Tails, 30u" Gold Plated on Contact Area, All over Nickel Underplate

**Electrical Characteristics**

Rated Current: 1A  
 Rated Voltage: 30V AC/DC  
 Insulation Resistance: 1000 Megohms Min.  
 Contact Resistance: 30 milliohms Max.  
 Dielectric Withstanding Voltage: 100V AC For 1 Minute

**Mechanical Characteristics**

Durability: 10000 Mating Cycles Min.  
 Operating Temperature: -30°C to +80°C



Tolerances
X.X ± 0.35
X.XX ± 0.25
Unless Stated Otherwise

REV.	DATE	DESCRIPTION	REV. BY	CHK. BY	DRAWN BY	DATE
A0	12/06/16	New Drawing	G. Serrato	W. Cook	G. Serrato	12/06/16
A1	04/03/17	Release Drawing	J. Elbanna	C. Kelleher		
A2	03/20/19	ECO #19-029	G. Serrato	D. Shehan		
						UNITS
						mm

KMMX-BSMT35S-1-30BTR

Micro USB Type B, SMT Contacts, RoHS Compliant  
 Long Thru Hole Shield Tabs, 5 Pin, Tape & Reel

