

Customer Information Sheet

DRAWING No.: KAI-301XX98M3

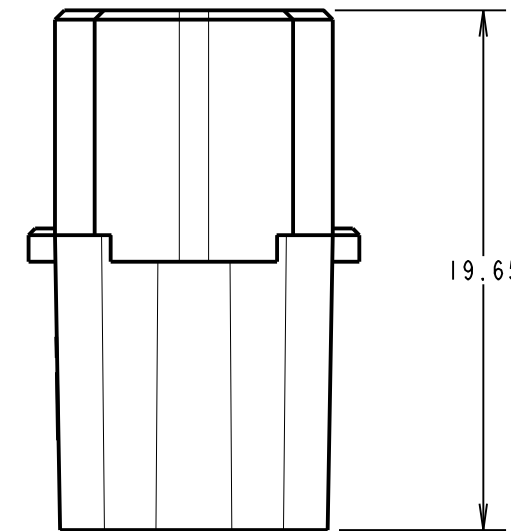
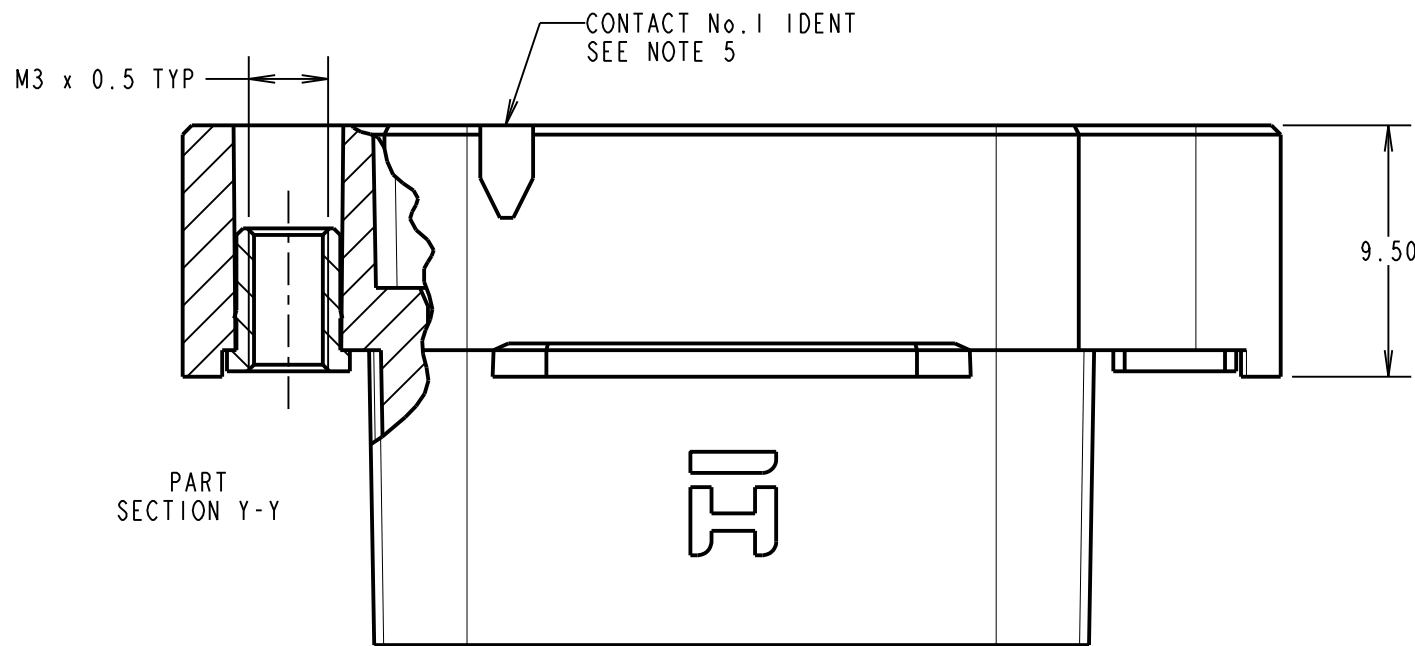
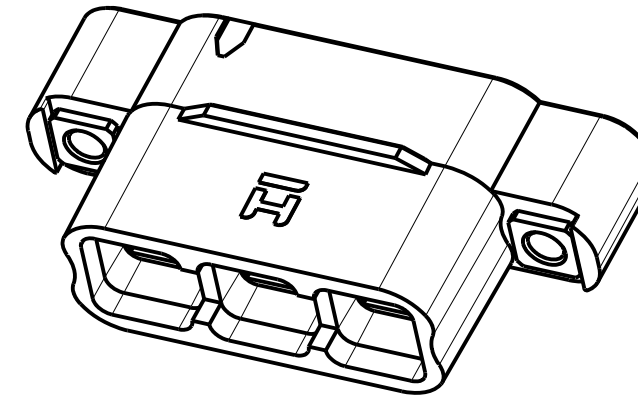
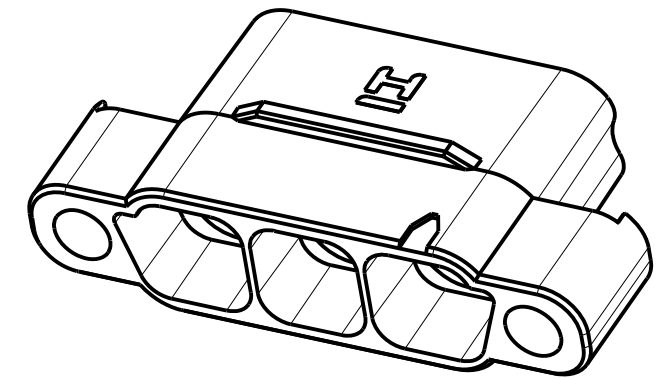
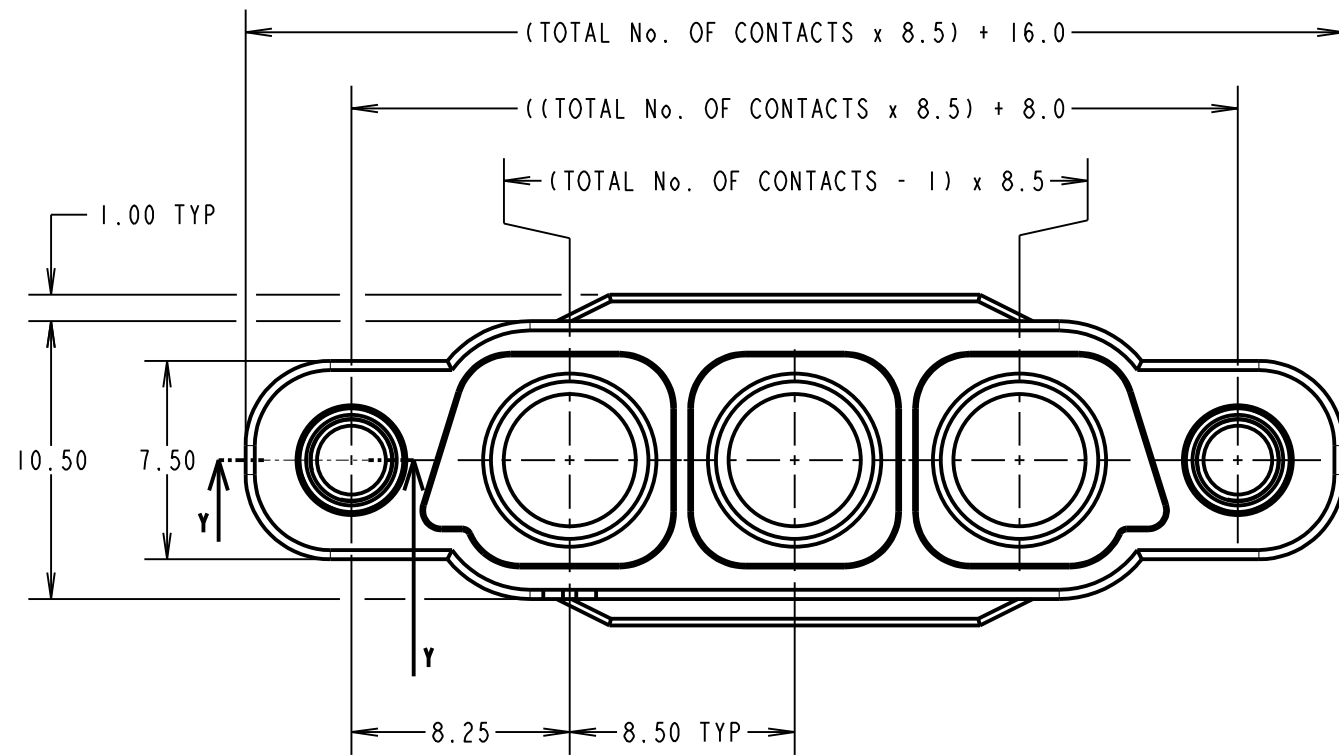
IF IN DOUBT - ASK

©

NOT TO SCALE

THIRD ANGLE PROJECTION

ALL DIMENSIONS IN mm



ORDER CODE: **KAI-301XX98M3**
 TOTAL No. OF CONTACTS: 02, 03, 04

| | | | |
|---------------------|------|----------|-------|
| MR | 1 | 09.08.22 | 31804 |
| NAME | ISS. | DATE | CN/CO |
| APPROVED: M.RUDKIN | | | |
| CHECKED: R.PORTLOCK | | | |
| DRAWN: M.RUDKIN | | | |
| CUSTOMER REF.: | | | |
| ASSEMBLY DRG: | | | |

NOTES:

- HOUSING TO BE USED WITH KAI-1410005 SOLDER CUP CONTACTS.
- FOR ASSEMBLY INSTRUCTIONS SEE IS-49.
- FOR MATERIALS AND SPECIFICATIONS SEE COMPONENT SPECIFICATION C052XX (LATEST ISSUE).
- DRAWING SHOWS HOUSING WITH 3 CONTACT POSITIONS.
- CONTACT No.1 IDENT MAY VISUALLY DIFFER FROM THE IDENT SHOWN ON DRAWING.

HARWIN

www.harwin.com
 technical@harwin.com

THIS DRAWING AND ANY INFORMATION OR DESCRIPTIVE MATTER SET OUT HEREON ARE CONFIDENTIAL AND COPYRIGHT PROPERTY OF THE HARWIN GROUP AND MUST NOT BE DISCLOSED, LOANED, COPIED OR USED FOR MANUFACTURING, TENDERING OR FOR ANY OTHER PURPOSE WITHOUT THEIR WRITTEN PERMISSION.

TOLERANCES

X. = ±1mm
 X.X = ±0.50mm
 X.XX = ±0.20mm
 X.XXX = ±0.01mm
 ANGLES = ±5°
 UNLESS STATED

MATERIAL:

SEE ABOVE

FINISH:

SEE ABOVE

S/AREA:

mm²

TITLE: KONA SERIES - MALE CABLE HOUSING WITH S/LOCK INSERT

DRAWING NUMBER:

KAI-301XX98M3

SHT
 3 OF 3