

Recommended PCB Layout  
(Bottom View)

**Material and Finish**

Shell: Steel, nickel plated  
 Insulator: PBT thermoplastic with glass-fiber reinforcement, UL94V-0 rated  
 Color: Black

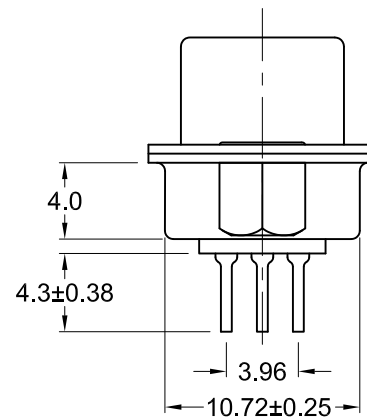
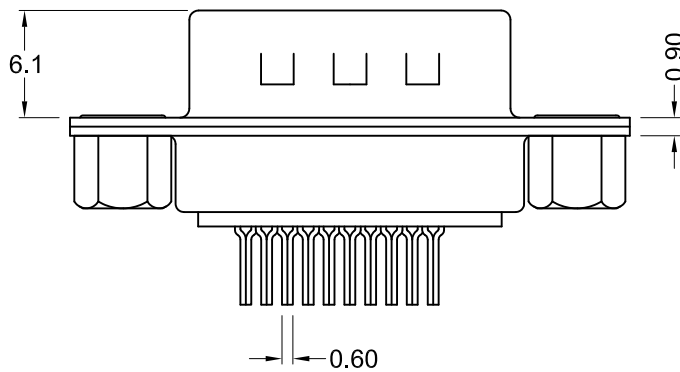
Contact Material:  
 Plug - Brass

Contact Plating Options:  
 Standard: gold flash on mating end, tin on termination end, nickel underplate on entire contact  
 15 Option: 15u" gold on mating end, tin on termination end, nickel underplate on entire contact

30 Option: 30u" gold on mating end, tin on termination end, nickel underplate on entire contact

**Electrical Specifications**

Rated Current: 1.5A  
 Rated Voltage: 30Vac  
 Insulation Resistance: more than 1000 megohms at 500V DC  
 Contact Resistance: 13 milliohms max.  
 Dielectric Withstanding Voltage: 1000V for 1 minute  
 Operating Temperature: -55°C to +105°C



**Ordering Information**

Part Number	Contact Area Plating Finish
K86X-ED-15P-K	Gold Flash (standard)
K86X-ED-15P-K15	15u" Gold (15 option)
K86X-ED-15P-K30	30u" Gold (30 option)



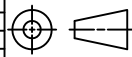
Tolerances
X.X ± 0.25
X.XX ± 0.15
Unless Stated Otherwise

REV.	DATE	DESCRIPTION	REV. BY	CHK. BY	DRAWN BY	DATE
A1	3/3/06	New Drawing	R. Aguirre	H. MA	R. Aguirre	02/29/06
A2	1/17/08	ECO# 07-052	WILL H.	H. MA		
A3	10/6/14	ECO#14-028	H. MA	P. DalCanto		
A4	12/31/17	ECO #17-033	J. Elbanna	C. Furumasu		

**K86X-ED-15P-K**

High Density Vertical Mount D-Sub, RoHS Compliant

15 pin plug, precision formed contacts, 4-40 bushings



mm