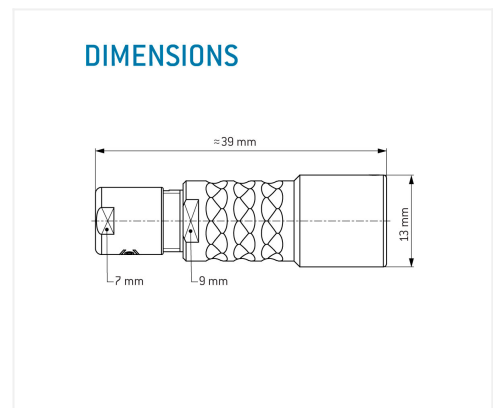
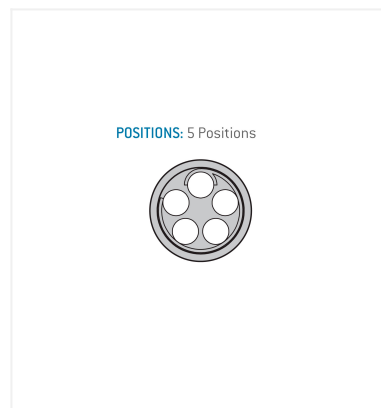
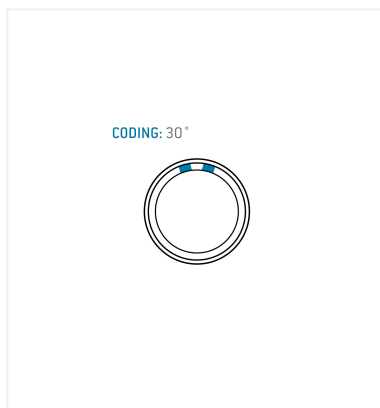


**General information**

|                          |                     |
|--------------------------|---------------------|
| <b>Part number</b>       | K10KAC-P05LFG0-2500 |
| <b>Termination</b>       | solder              |
| <b>Size</b>              | 0                   |
| <b>Locking principle</b> | break , push        |
| <b>Coding</b>            | a_key               |
| <b>Cable Diameter</b>    | cable_mini_25       |
| <b>Cable outlet</b>      | standard            |



**Contact insert description**

|                             |         |
|-----------------------------|---------|
| <b>Number of contacts</b>   | 5       |
| <b>Contact type</b>         | sockets |
| <b>Contact diameter</b>     | 07mm    |
| <b>Insulator material</b>   | peek    |
| <b>Wire cross section</b>   | 22_awg  |
| <b>Termination</b>          | solder  |
| <b>Termination diameter</b> | 085mm   |

reverse\_gender\_on\_request

**Technical information**

|   |          |               |
|---|----------|---------------|
| <b>Max. creepage and air clearance distance</b> | 05_mm    | 05_mm         |
| <b>Nominal current single contact</b>           | 075_a    | iec_60512_5_2 |
| <b>Nominal current insert</b>                   | 5,625 A  | vde_0298_4    |
| <b>Test voltage</b>                             | 06_kv_ac | sae_13441     |

safety\_text

## Mechanical and environmental data

|                       |      |
|-----------------------|------|
| Degree of protection* | ip68 |
|-----------------------|------|

|                       |          |
|-----------------------|----------|
| Operating temperature | 40_120_c |
|-----------------------|----------|

|               |      |
|---------------|------|
| Mating cycles | 5000 |
|---------------|------|

mated

## Material and surface treatments

|         |          |
|---------|----------|
| Housing | m_chrome |
|---------|----------|

|         |               |
|---------|---------------|
| Contact | cu_alloy_gold |
|---------|---------------|

safety\_text\_2

ul\_text

illustrative\_text