

Product Specification

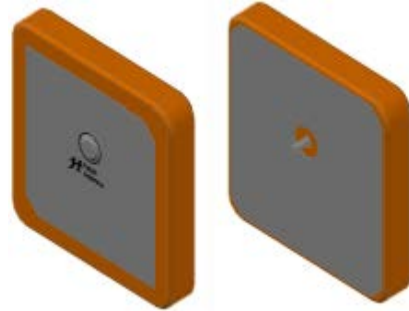


Patch Antenna JTT915S25P4A



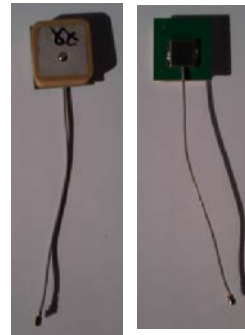
Feature

- High gain , Compact
- Pin type
- Customization available

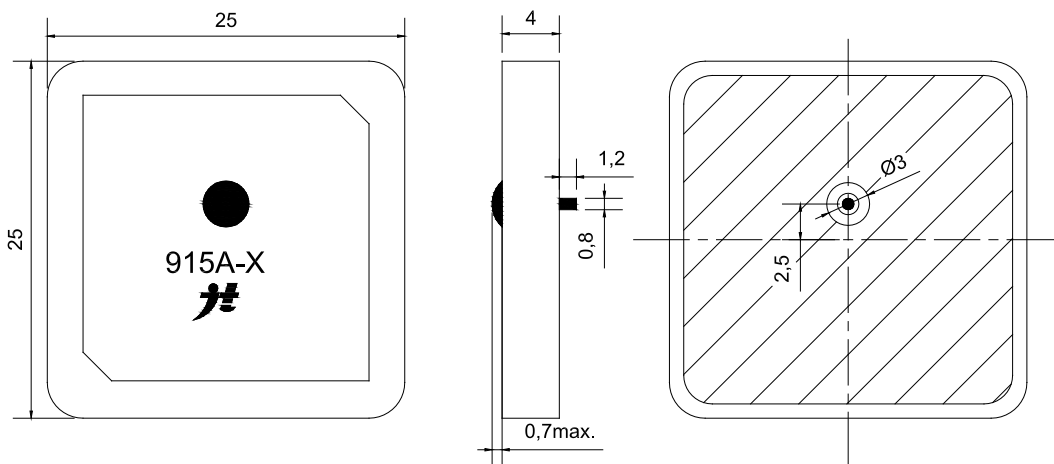


Electrical Specification

Center Frequency	903 ± 3.0 MHz
Return Loss @ F0	≥ 10 dB
Bandwidth @ 10dB Return loss	-
Polarization	RHCP
Gain @ Zenith	-
Ground plane	27x27
Impedance	50 Ω
Frequency Temperature Coefficient	±20 ppm/°C
Operation Temperature Range	-40 ~ +85°C



Mechanical Drawing



The last "X" is the serial number of month

Tolerance Unless Otherwise Specified:±0,30
Unit: mm

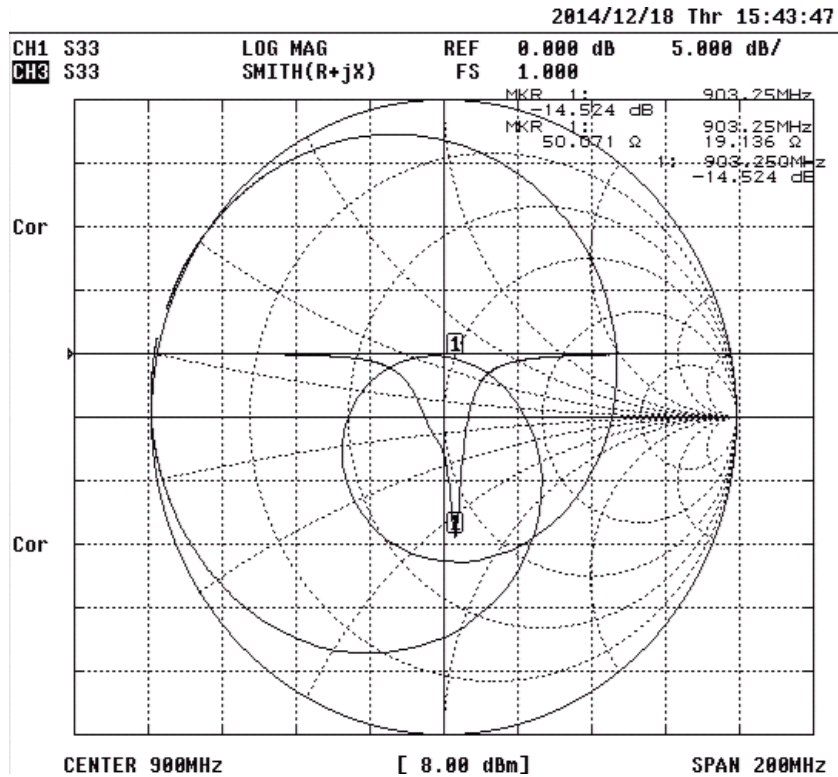
Product Specification



Patch Antenna JTT915S25P4A



Characteristics



Test Fixture

