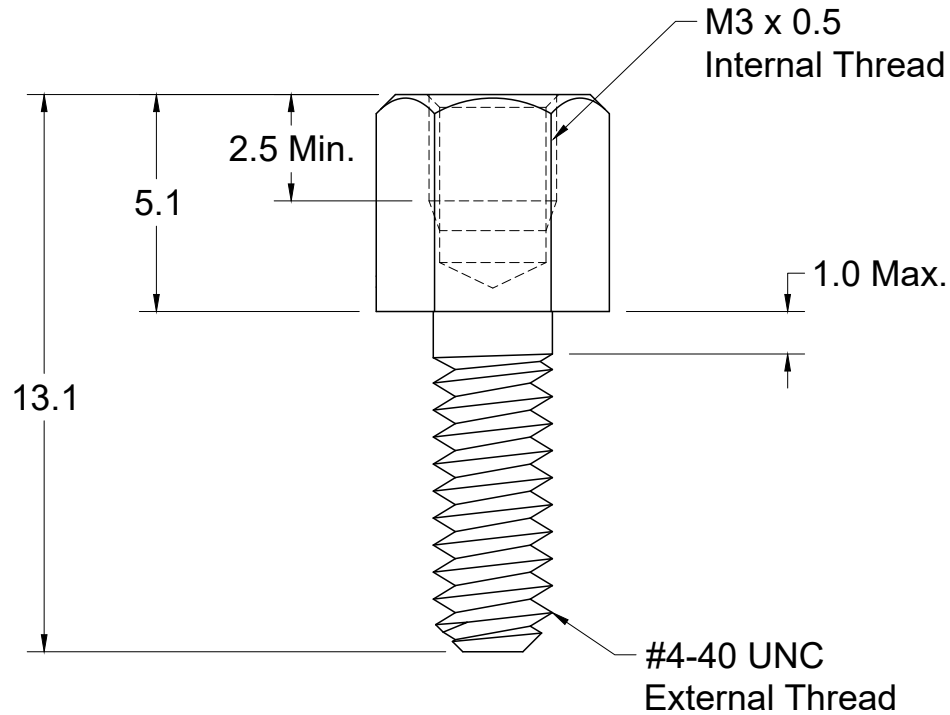


Material: Brass

Finish: Nickel



Tolerances

X.X ± 0.10  
 X.XX ± 0.05  
 Unless Stated  
 Otherwise

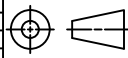
**RoHS COMPLIANT**

REV.	DATE	DESCRIPTION	REV. BY	CHK. BY	DRAWN BY	DATE
A1	02/05/08	New Drawing	R. Aguirre	H. MA	R. Aguirre	02/05/08
A2	03/04/08	ECO #08-009	R. Aguirre	H. MA		
A3	06/11/18	ECO #18-028	G. Serrato	D. Shehan		
B0	08/16/21	ECO #21-014	C. Kelleher	C. Furumasa		

**JSX-M3131**

Hex. Jack Screw

M3 Female, #4-40 UNC Male



UNITS  
mm