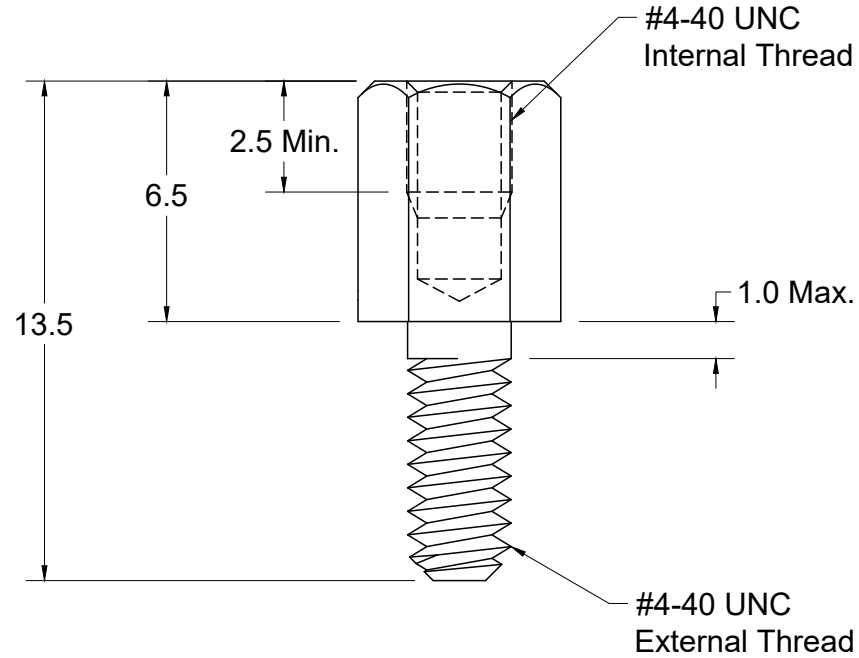


Material: Brass

Finish: Nickel



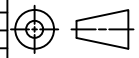
| Tolerances |
|----------------------------|
| X.X ± 0.10 |
| X.XX ± 0.05 |
| Unless Stated Otherwise |

RoHS COMPLIANT

| REV. | DATE | DESCRIPTION | REV. BY | CHK. BY | DRAWN BY | DATE |
|------|----------|-------------|-------------|-------------|------------|----------|
| A1 | 02/09/06 | New Drawing | R. Aguirre | H. MA | R. Aguirre | 02/09/06 |
| A2 | 03/04/08 | ECO #08-009 | R. Aguirre | H. MA | | |
| A3 | 06/11/18 | ECO #18-028 | G. Serrato | D. Shehan | | |
| B0 | 08/19/21 | ECO #21-014 | C. Kelleher | C. Furumasa | | |

JSX-1065

Hex. #4-40 UNC Jack Screw, RoHS Compliant
6.0mm thread length, 6.5mm head length



UNITS
mm