

## High power series connector (45A series)



## TL500 Series

TL300 is a single pole metal connector that uses JPC's unique helical multi contacts for high power solutions. With straight and right angle plugs, HVIL, and shields, TL300 provides a variety of product configurations to choose from.

### Technical Data

Current Rating	500A
Voltage Rating	1000V AC
Dielectric Withstanding Voltage	5000V AC
Operating Temperature Range	-40 °C to +125 °C
Mating Cycles	100 times Min.
Insulation resistance	500
Connector Type	Plug
Part Number	JPCN-TL28X-500-95

### Product Features

Electrical interlock	Yes
Shielding	Yes/Optional
Automatic Secondary Lock	YES
Protection class	IP67

### Application

High Voltage Power Distribution Unit(PDU)

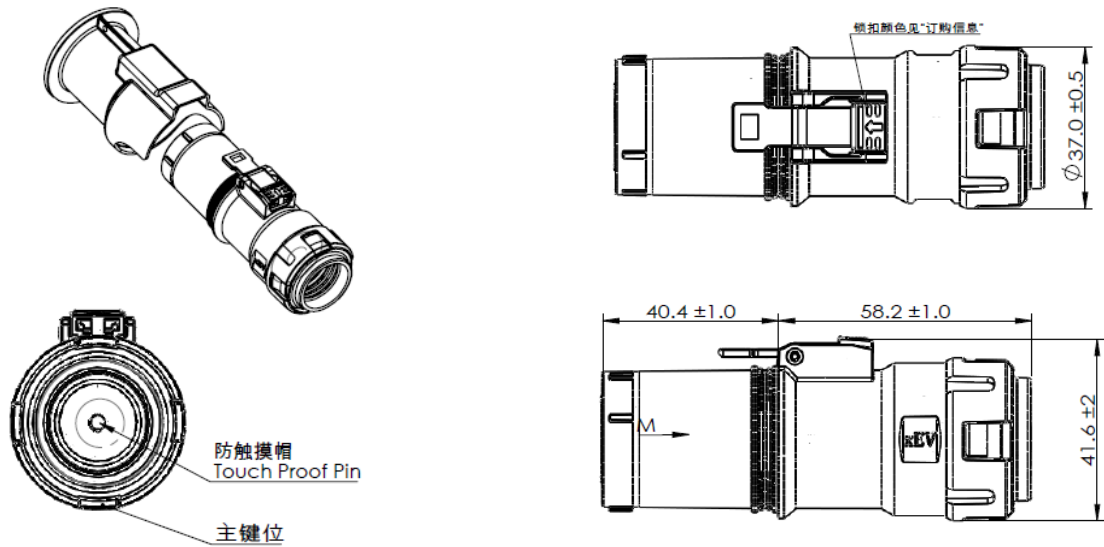
High Power Application

DC/AC Converter

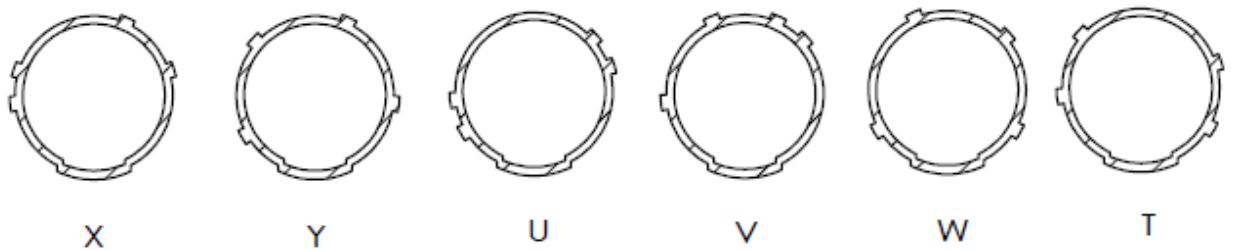
Energy Storage System

## TL500 Series

### Straight Plug Interface Dimensions



### Key Direction



### Angle Plug Interface Dimensions

