

## High power series connector (45A series)



## TL500 Series

TL300 is a single pole metal connector that uses JPC's unique helical multi contacts for high power solutions. With straight and right angle plugs, HVIL, and shields, TL300 provides a variety of product configurations to choose from.

### Technical Data

|                                 |                   |
|---------------------------------|-------------------|
| Current Rating                  | 500A              |
| Voltage Rating                  | 1000V AC          |
| Dielectric Withstanding Voltage | 5000V AC          |
| Operating Temperature Range     | -40 °C to +125 °C |
| Mating Cycles                   | 100 times Min.    |
| Insulation resistance           | 500               |
| Connector Type                  | Plug              |
| Part Number                     | JPCN-TL18Y-500-95 |

### Product Features

|                          |              |
|--------------------------|--------------|
| Electrical interlock     | Yes          |
| Shielding                | Yes/Optional |
| Automatic Secondary Lock | YES          |
| Protection class         | IP67         |

### Application

High Voltage Power Distribution Unit(PDU)

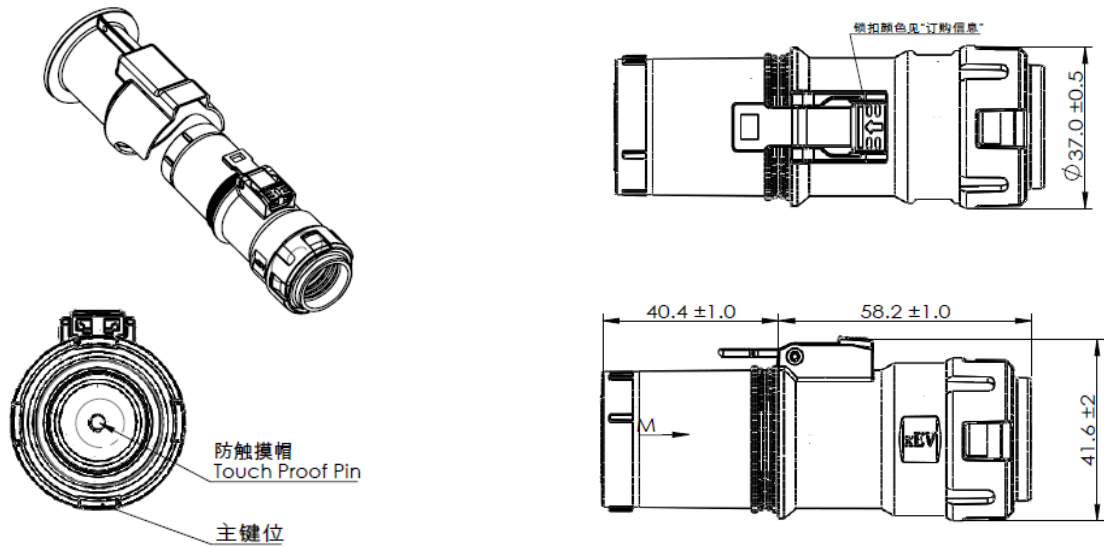
High Power Application

DC/AC Converter

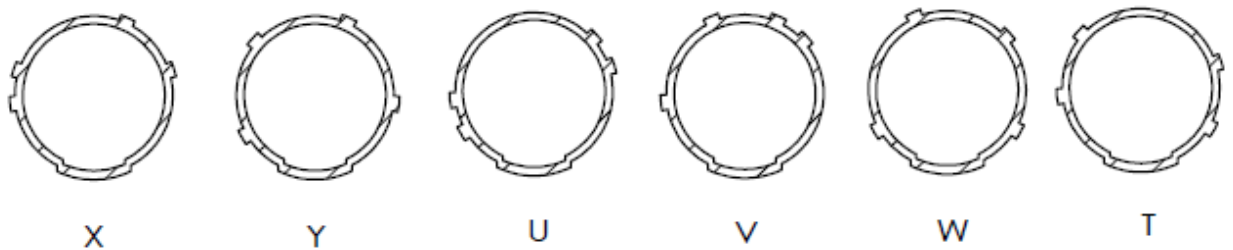
Energy Storage System

## TL500 Series

### Straight Plug Interface Dimensions



### Key Direction



### Angle Plug Interface Dimensions

