

Product Specification



Patch Antenna JLTD1176-1575S25-18P4-2A

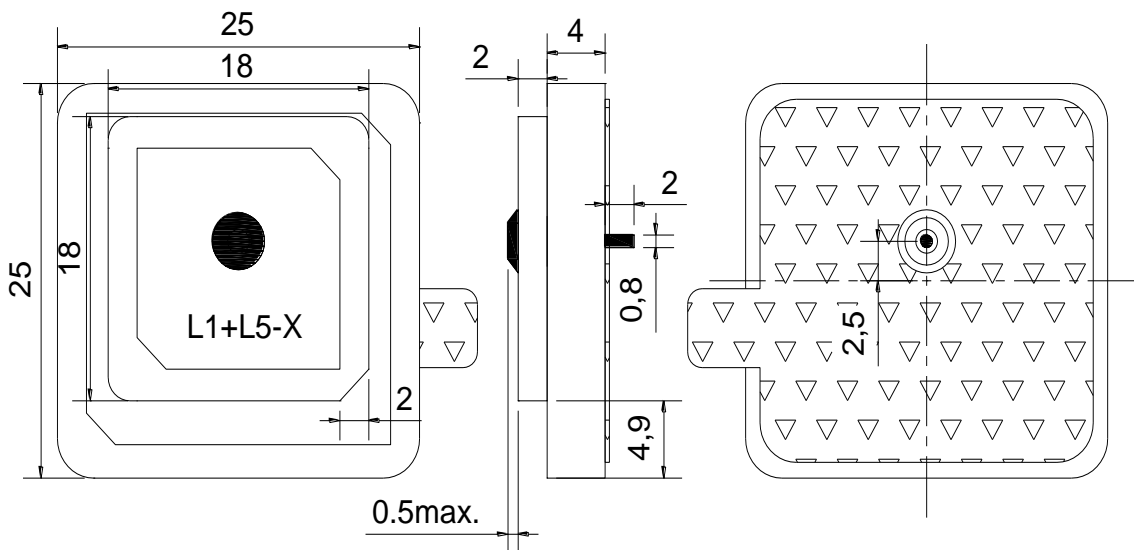
Feature

High gain , Compact
Pin type
Customization available

Electrical Specification

| | L1 | L5 |
|-----------------------------------|---------------|---------------|
| Center Frequency | 1575± 3.0 MHz | 1176± 3.0 MHz |
| Return Loss @ F0 | ≥ 10dB | ≥ 10dB |
| Polarization | RHCP | RHCP |
| Ground plane | 27x27 mm | |
| Impedance | 50 Ω | |
| Frequency Temperature Coefficient | ±20 ppm/°C | |
| Operation Temperature Range | -40 ~ +85°C | |

Mechanical Drawing



Tolerance Unless Otherwise Specified:±0.30
Unit: mm

Product Specification

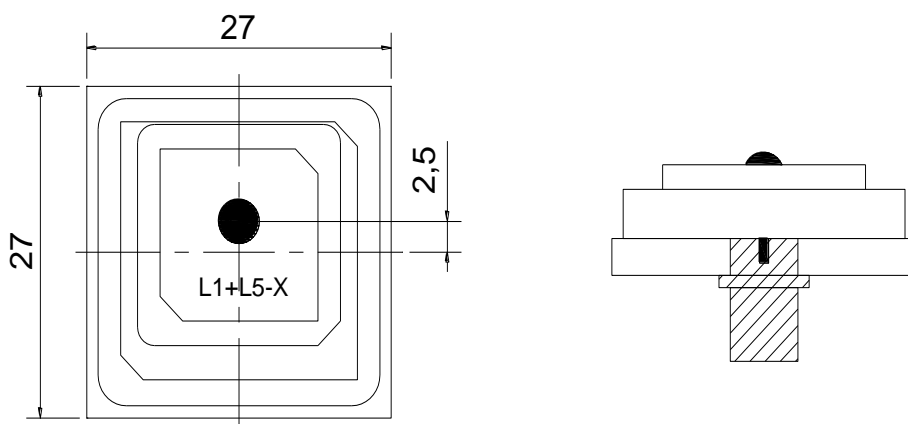


Patch Antenna

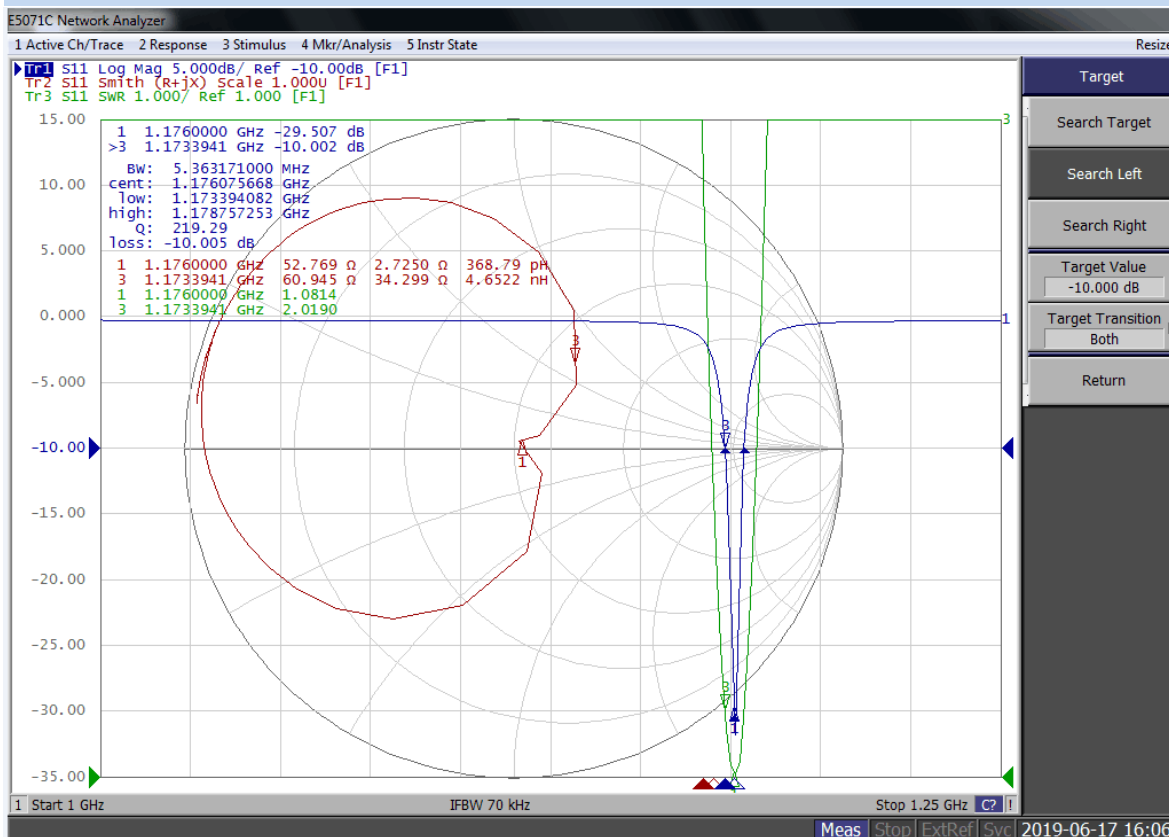


JLTD1176-1575S25-18P4-2A

Test Fixture



Characteristics



Product Specification



Patch Antenna



JLTD1176-1575S25-18P4-2A

Characteristics

