

# Product Specification



## Patch Antenna JLT1575S2006P4C

### Feature

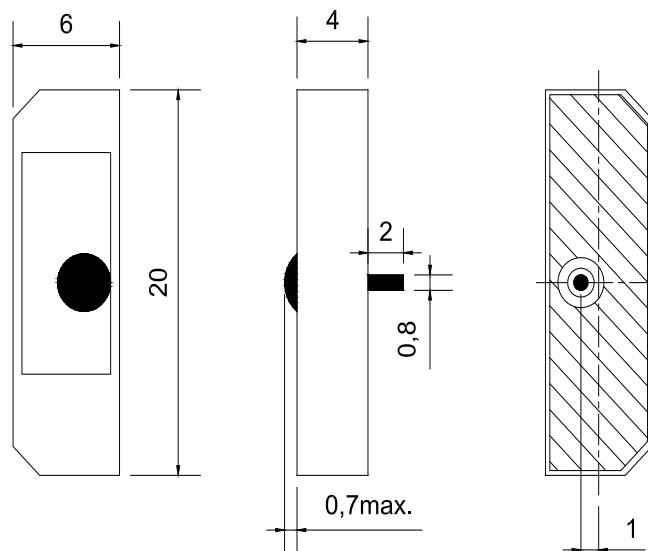
- High gain , Compact
- Pin type
- Customization available

### Electrical Specification

Center Frequency	$1575.42 \pm 3.0$ MHz
Return Loss @ F0	$\geq 15$ dB
Bandwidth @ 10dB Return loss	-
Polarization	RHCP
Gain @ Zenith	-0.5 dBi typ.
Ground plane	mm
Impedance	50 $\Omega$
Frequency Temperature Coefficient	$\pm 20$ ppm/ $^{\circ}$ C
Operation Temperature Range	-40 ~ +85 $^{\circ}$ C



### Mechanical Drawing



Tolerance Unless Otherwise Specified:  $\pm 0.30$   
Unit: mm

# Product Specification



## Patch Antenna JLT1575S2006P4C



### Characteristics

