

ELECTRICAL:

EMI SHIELDING : SHIELDED FOR THE RANGE 55dB UP TO 100MHZ

INSULATION RESISTANCE : >500MΩ PER ANSI-EIA-364-D METHOD 21

MAX. CURRENT RATING : SEE INSULATOR DRAWING

CONNECTOR TESTING VOLTAGE : SEE INSULATOR DRAWING

CONNECTOR WORKING VOLTAGE : SEE INSULATOR DRAWING

ENVIRONMENTAL:

ENDURANCE: 1000 CYCLES AS PER MIL-STD 1344A, METHOD 2016.1

SHOCK: 50 g , DURATION 6 ms; AS PER MIL-STD 1344A, METHOD 2004.1

VIBRATIONS: 10 TO 2000Hz g = 15g, AS PER MIL-STD 1344A, METHOD 2005.1

PROTECTION INDEX: IP 67 AS PER CEI 529

ROHS COMPLIANT

SALT MIST : 48Hr PER SAE AS 1344 METHOD 1001.1 CEI 529

OPERATING TEMPERATURE: -40°C TO +80°C (-40°F TO +176°F)

MASS (g)	VOLUME (mm ³)
16.8	3181

NOTES:

MATERIAL:

OUTER SHELL & PANEL NUT : } BRASS

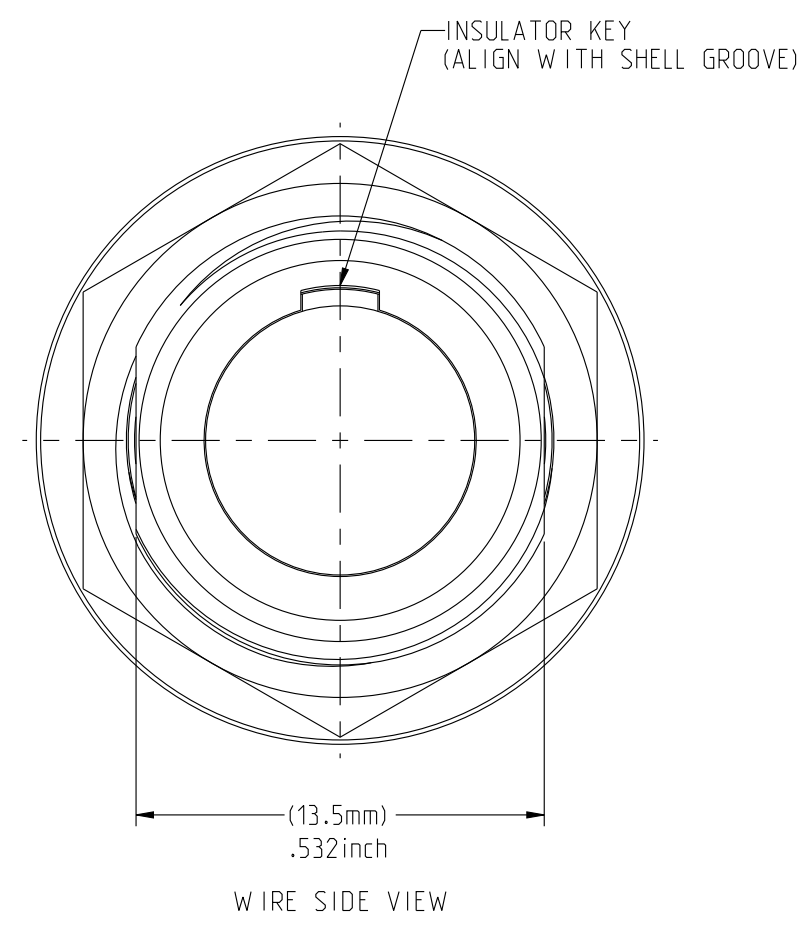
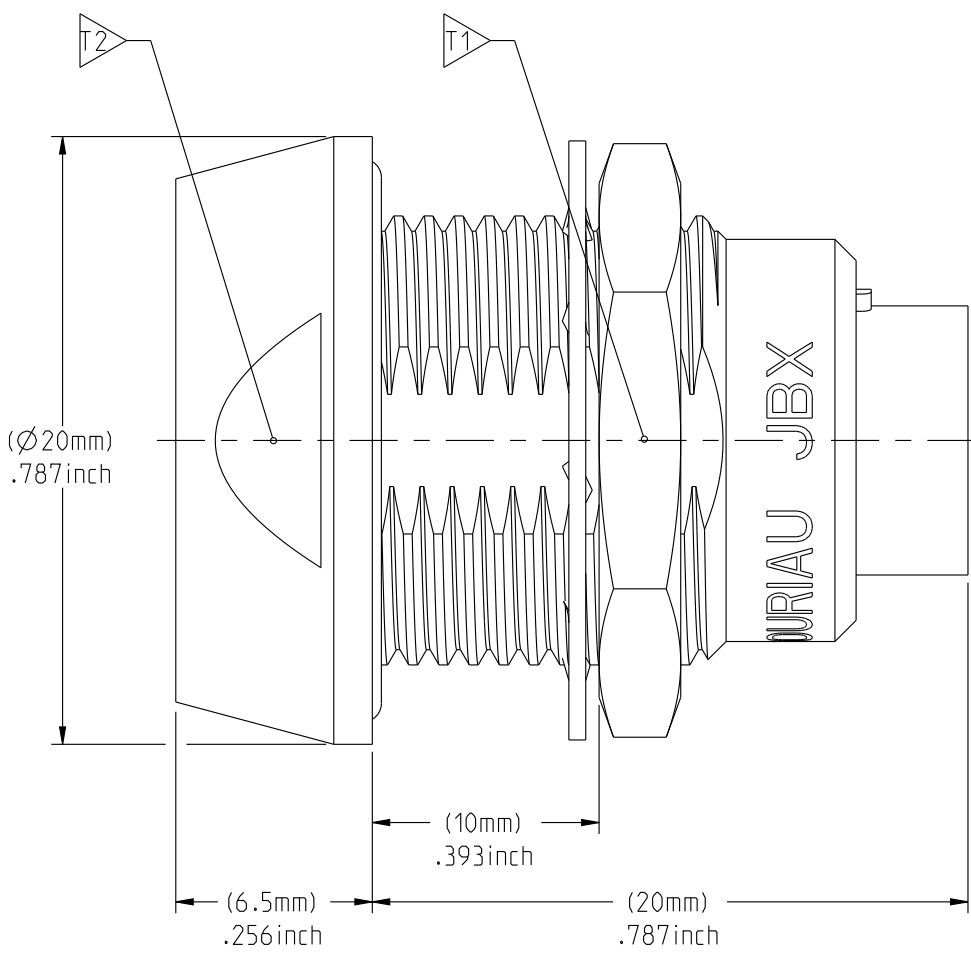
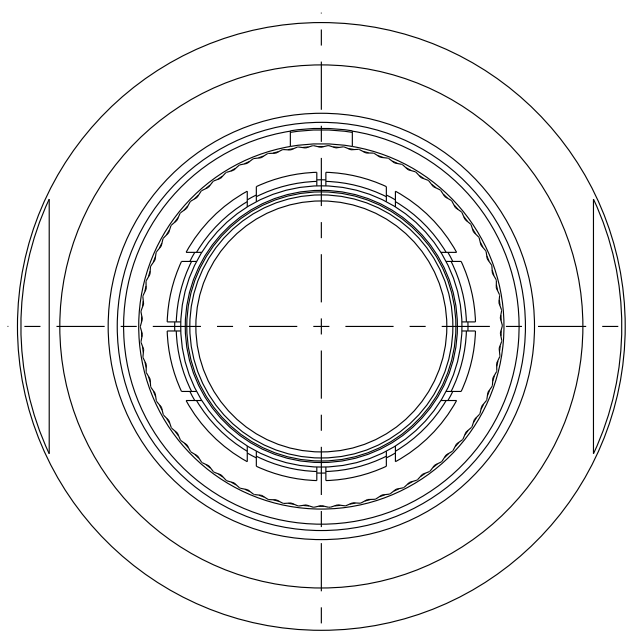
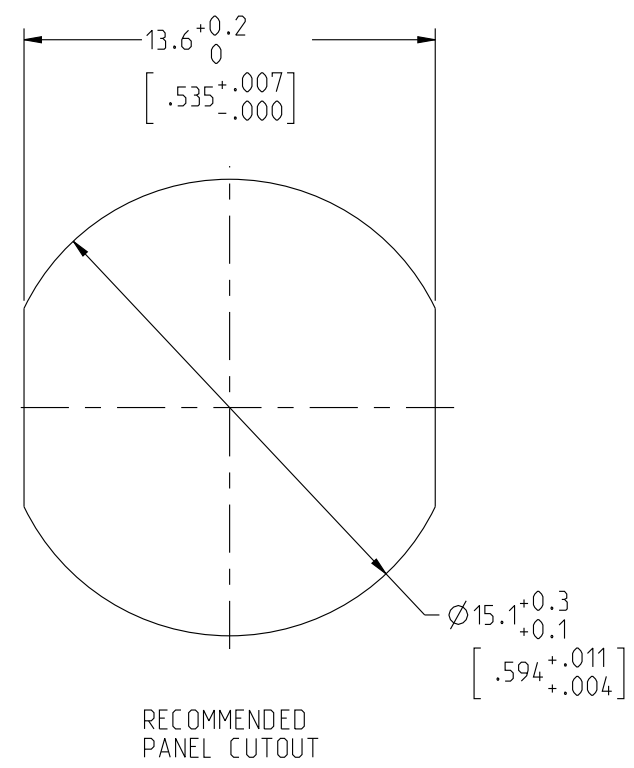
SHIELD RING & NUT: }

FINISH:

OUTER SHELL: CHROME

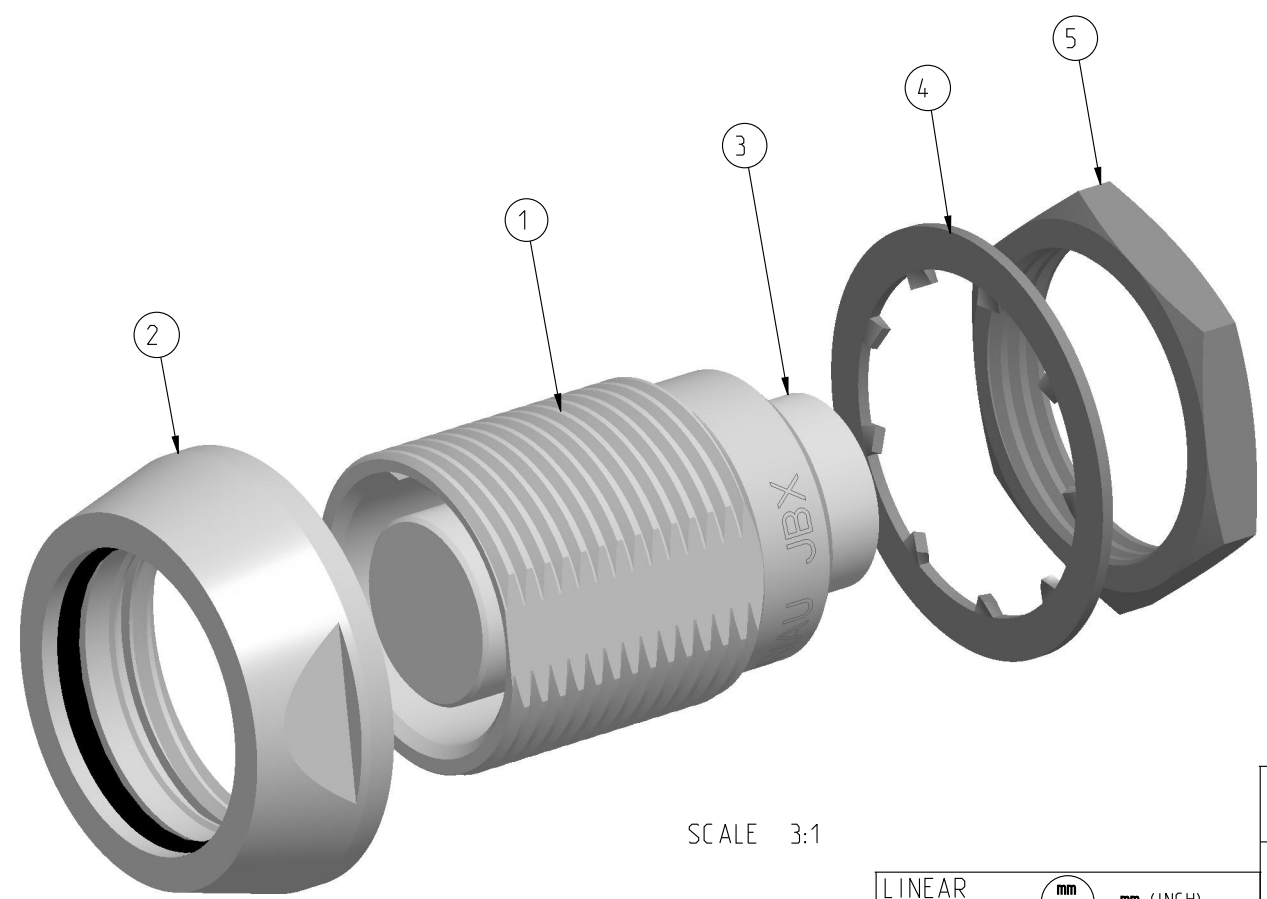
OTHER BRASS PARTS : NICKEL

TOOLS



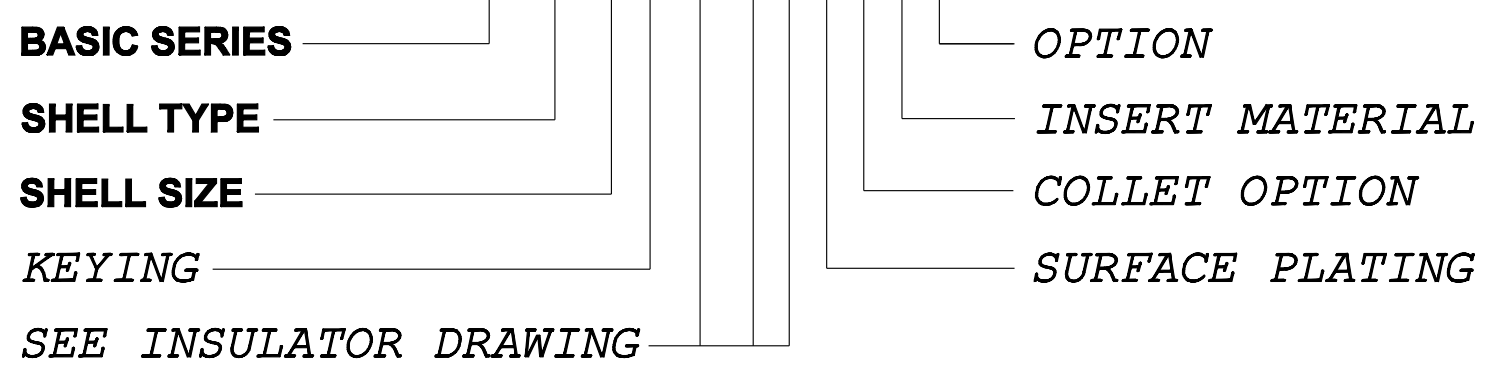
PART LIST	
ITEM NO.	DESCRIPTION
1	SHELL
2	PANEL NUT
3	INSULATOR
4	LOCK WASHER
5	HEX NUT

	TOOLS (JAW DIMENSION)	ADVISED TORQUE IN Nm
T1	17	1.7
T2	18	1.7



CATALOG NUMBER DESCRIPTION

JBX EC 2 XXXXXDX -



SCALE 3:1

ORIGIN	COUNTRY	JURISDICTION	CLASSIFICATION
X	FR	Not listed	N/A
	US	EAR	ECCN =EAR99

These commodities, technology or software are exported from the United States in accordance with the Export Administration Regulations. Diversion contrary to U.S. law is prohibited.

LINEAR MEASURE:	mm (INCH)
THIRD ANGLE PROJECTION	
TOLERANCES UNLESS OTHERWISE SPECIFIED	
No. OF PLACES	mm [INCH]
WHOLE No.	±0.5 [±.02]
ONE PLACE	±0.2 [±.008]
TWO PLACES	±0.1 [±.004]
ANGLES ±1°	

DRAWING TITLE
JBX, SIZE 2, SEALED DOUBLE NUT PANEL RECEPTACLE

CAT NO. **JBXEC2**

CAGE NO: 09922 SIZE: C

CUSTOMER

INTERPRET THIS DRAWING IN ACCORDANCE WITH ASME Y14.5M - 1994.

SOURIAU
www.souriau.com

APPROVAL	DRAWN: SKV	01-27-15
	CHKD : EV	01-27-15
	DSGN : EV	01-27-15
	MFG : DH	01-27-15
	QC : BB	01-27-15
DRAWING SCALE: 4:1		
DRAWING NO. JBXEC2C		REV A

1 OF 1

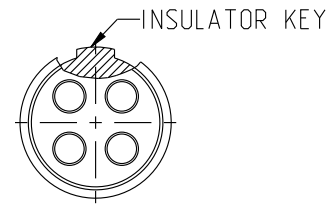
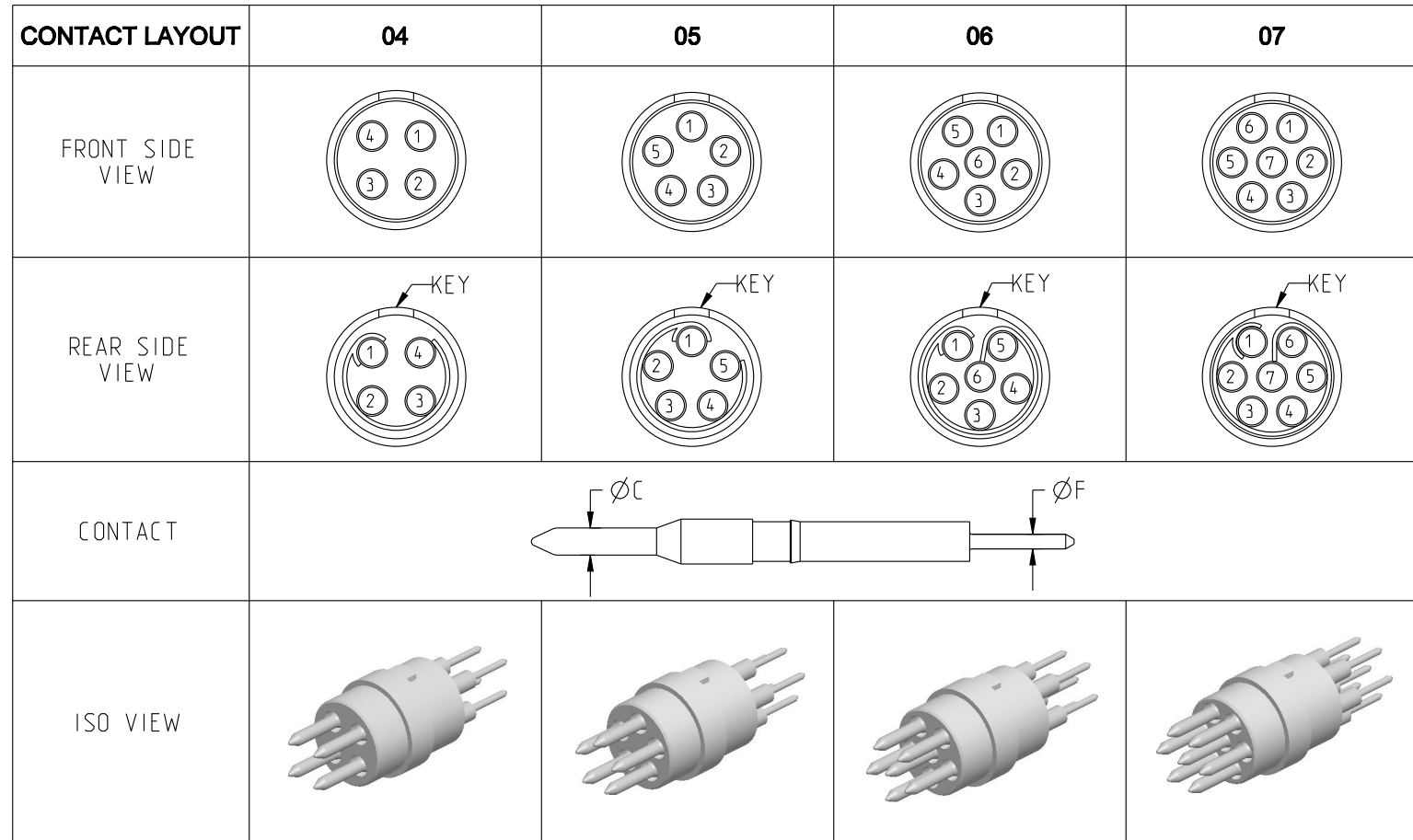
THIS DRAWING IS A CONTROLLED DOCUMENT FOR SOURIAU USA, INC. IT IS SUBJECT TO CHANGE WITHOUT NOTIFICATION. CONTACT THE DOCUMENT CONTROL CENTER FOR THE LATEST REVISION.

THE INFORMATION CONTAINED IN THIS DRAWING IS CONFIDENTIAL AND MAY NOT BE DISCLOSED WITHOUT WRITTEN CONSENT FROM SOURIAU USA, INC.

DWG. NO.
JBX2INSMP

MALE INSULATOR, STRAIGHT PCB CONTACT

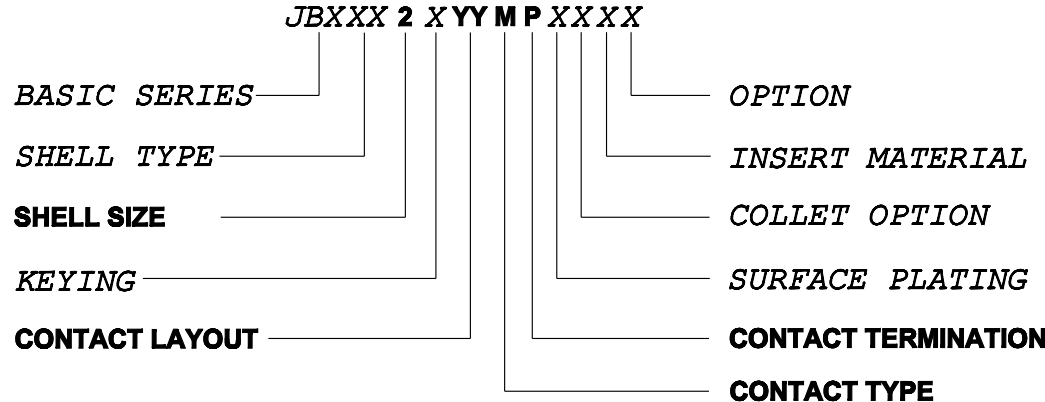
THIS DRAWING IS A CONTROLLED DOCUMENT FOR SOURIAU USA, INC. IT IS SUBJECT TO CHANGE WITHOUT NOTIFICATION. CONTACT THE DOCUMENT CONTROL CENTER FOR THE LATEST REVISION.



CONTACT TYPE : M (MALE)
CONTACT TERMINATION : P (PCB)
MATERIAL :
 CONTACT: BRASS
 INSULATOR: PEEK
FINISH :
 CONTACTS: GOLD

B

CATALOG NUMBER DESCRIPTION



CONTACT	ØC	1.3	1.3	1.3	1.3
	ØF	0.7	0.7	0.7	0.7
	MAX. AWG	-	-	-	-
	MAX. CURRENT RATING (A)	15	15	15	15
CONTACT RESISTANCE (mΩ)	3	3	3	3	
INSULATOR	NUMBER OF CAVITY	4	5	6	7
	MAX. CURRENT RATING	15	14	12	11
	TEST VOLTAGE (V _{rms})	2400	1900	1900	1500
	WORKING VOLTAGE (V _{dc} /V _{rms})	1000/700	900/630	900/630	730/500

B	REVISED PER ECN 12286	RSK 06-10-15	EV 06-10-15
A	RELEASED PER ECN 12264	SKV 03-10-15	EV 03-10-15
REV	DESCRIPTION	BY DATE	CHKD DATE

A

DRAWING TITLE
JBX, SIZE 2, MALE INSULATOR, PCB CONTACT

CAT NO. **JBX2INSMP**

CAGE NO: 09922 SIZE: B

CUSTOMER

SOURIAU

WWW.SOURIAU.COM

INTERPRET THIS DRAWING IN ACCORDANCE WITH ASME Y14.5M - 1994.

APPROVAL	DRAWN: SKV	02-02-15
	CHKD : EV	02-02-15
	DSGN : EV	02-02-15
	MFG : DH	02-02-15
	QC : BB	02-02-15
	DRAWING SCALE: NA	
	DRAWING NO.	REV
	JBX2INSMP	B
	1 OF 3	

THE INFORMATION CONTAINED IN THIS DRAWING IS CONFIDENTIAL AND MAY NOT BE DISCLOSED WITHOUT WRITTEN CONSENT FROM SOURIAU USA, INC.

ORIGIN	COUNTRY	JURISDICTION	CLASSIFICATION
X	FR	Not listed	N/A
	US	EAR	ECCN =EAR99

These commodities, technology or software are exported from the United States in accordance with the Export Administration Regulations. Diversion contrary to U.S. law is prohibited.

LINEAR MEASURE: $\frac{mm}{INCH}$ mm (INCH)

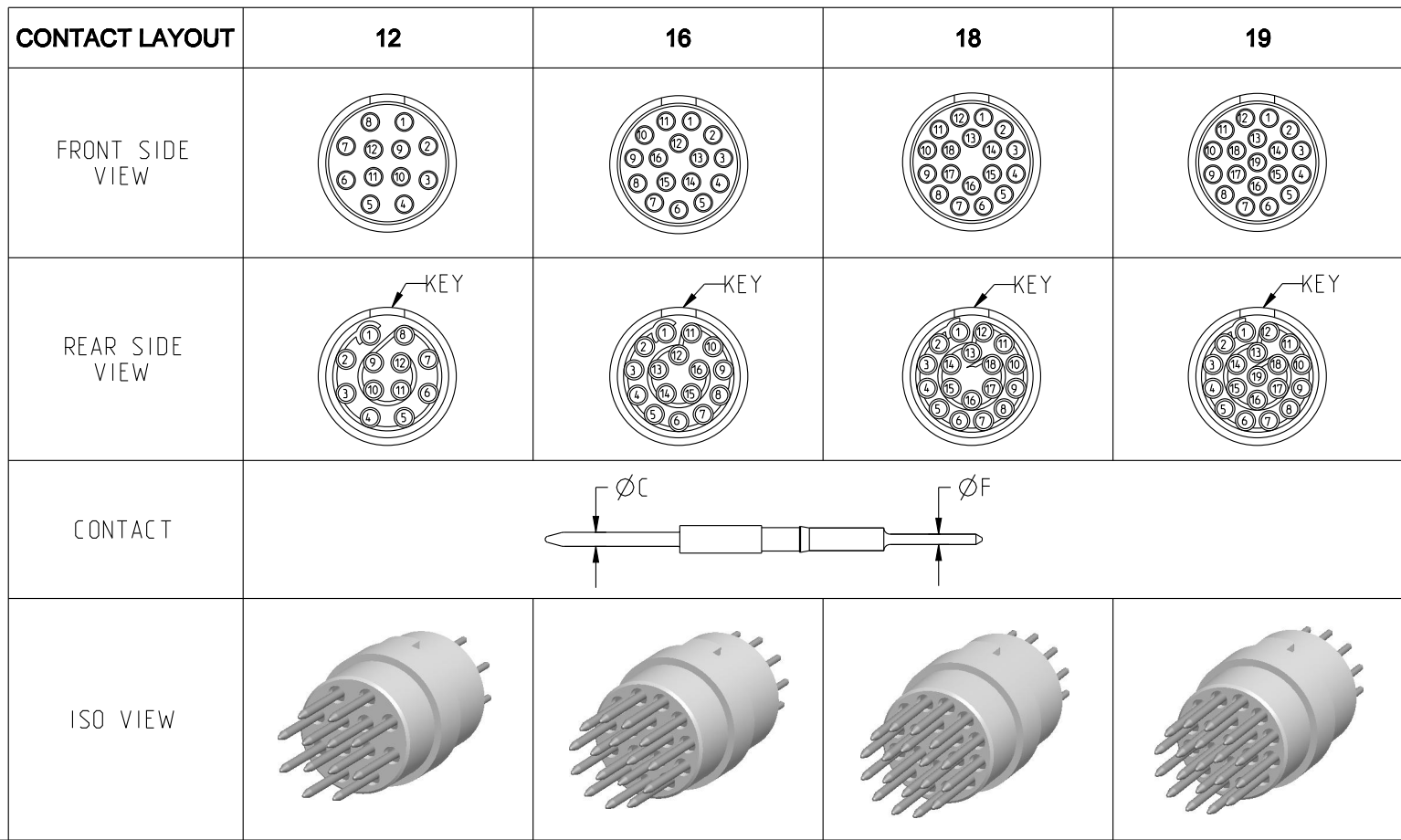
THIRD ANGLE PROJECTION

TOLERANCES UNLESS OTHERWISE SPECIFIED

No. OF PLACES	mm [INCH]
ONE PLACE	±3 [±.1]
TWO PLACES	±0.5 [±.02]
THREE PLACES	±0.25 [±.010]

ANGLES ±1°

DWG. NO.
JBX2INSMP



	CONTACT			
	12	16	18	19
ØC	0.7	0.7	0.7	0.7
ØF	0.5	0.5	0.5	0.5
MAX. AWG	-	-	-	-
MAX. CURRENT RATING (A)	7	7	7	7
CONTACT RESISTANCE (mΩ)	5	5	5	5
NUMBER OF CAVITY	12	16	18	19
INSULATOR	MAX. CURRENT RATING	7	6	5
	TEST VOLTAGE (Vrms)	1700	1500	1400
	WORKING VOLTAGE (Vdc/Vrms)	830/560	730/500	660/460

THIS DRAWING IS A CONTROLLED DOCUMENT FOR SOURIAU USA, INC. IT IS SUBJECT TO CHANGE WITHOUT NOTIFICATION. CONTACT THE DOCUMENT CONTROL CENTER FOR THE LATEST REVISION.

THE INFORMATION CONTAINED IN THIS DRAWING IS CONFIDENTIAL AND MAY NOT BE DISCLOSED WITHOUT WRITTEN CONSENT FROM SOURIAU USA, INC.

B

A

DRAWING TITLE		JBX, SIZE 2, MALE INSULATOR, PCB CONTACT	
CAT NO.		JBX2INSMP	
CAGE NO: 09922	SIZE: B	CUSTOMER	SOURIAU
INTERPRET THIS DRAWING IN ACCORDANCE WITH ASME Y14.5M - 1994.			
APPROVAL	DRAWN: SKV 02-02-15	DRAWING SCALE: NA	
	CHKD : EV 02-02-15	DRAWING NO. REV	
	DSGN : EV 02-02-15	JBX2INSMP	
	MFG : DH 02-02-15	B	
	QC : BB 02-02-15	2 OF 3	

LINEAR MEASURE: $\frac{mm}{INCH}$ mm (INCH)

THIRD ANGLE PROJECTION

TOLERANCES UNLESS OTHERWISE SPECIFIED

No. OF PLACES	mm [INCH]
ONE PLACE	±3 [±.1]
TWO PLACES	±0.5 [±.02]
THREE PLACES	±0.25 [±.010]

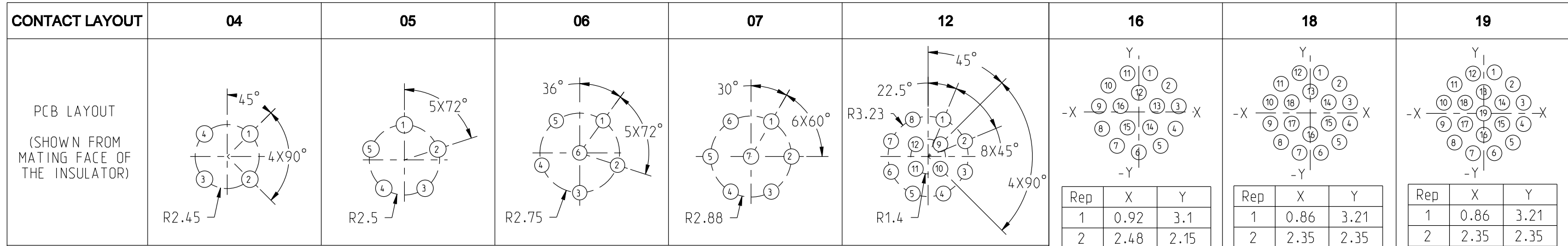
ANGLES ±1°

ORIGIN	COUNTRY	JURISDICTION	CLASSIFICATION
X	FR	Not listed	N/A
	US	EAR	ECCN =EAR99

These commodities, technology or software are exported from the United States in accordance with the Export Administration Regulations. Diversion contrary to U.S. law is prohibited

DWG. NO.
JBX2INSMPC

THIS DRAWING IS A CONTROLLED DOCUMENT FOR SOURIAU USA, INC. IT IS SUBJECT TO CHANGE WITHOUT NOTIFICATION. CONTACT THE DOCUMENT CONTROL CENTER FOR THE LATEST REVISION.

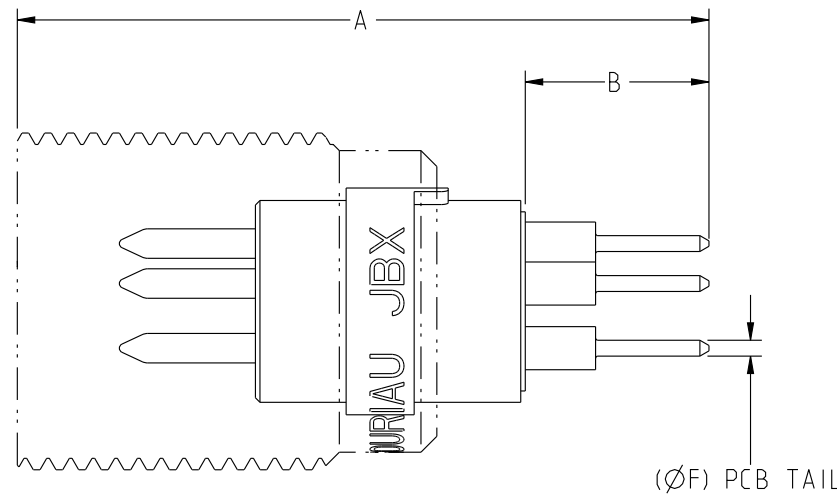


CONTACT PCB TAIL SIZE DIA	FINISHED PCB HOLE SIZE DIA
0.5	0.75
0.7	0.95

Rep	X	Y
1	0.92	3.1
2	2.48	2.15
3	3.24	0.47
4	2.98	-1.36
5	1.77	-2.76
6	0.00	-3.28
7	-1.77	-2.76
8	-2.98	-1.36
9	-3.24	0.47
10	-2.48	2.15
11	-0.92	3.14
12	0	1.55
13	1.47	0.48
14	0.91	-1.25
15	-0.91	-1.25
16	-1.47	0.48

Rep	X	Y
1	0.86	3.21
2	2.35	2.35
3	3.21	0.86
4	3.21	-0.86
5	2.35	-2.35
6	0.86	-3.21
7	-0.86	-3.21
8	-2.35	-2.35
9	-3.21	-0.86
10	-3.21	0.86
11	-2.35	2.35
12	-0.86	3.21
13	0	1.73
14	1.49	0.86
15	1.49	-0.86
16	0	-1.73
17	-1.49	-0.86
18	-1.49	0.86

Rep	X	Y
1	0.86	3.21
2	2.35	2.35
3	3.21	0.86
4	3.21	-0.86
5	2.35	-2.35
6	0.86	-3.21
7	-0.86	-3.21
8	-2.35	-2.35
9	-3.21	-0.86
10	-3.21	0.86
11	-2.35	2.35
12	-0.86	3.21
13	0	1.73
14	1.49	0.86
15	1.49	-0.86
16	0	-1.73
17	-1.49	-0.86
18	-1.49	0.86
19	0	0



SAMPLE ASSEMBLY FOR INFORMATION

LAYOUT	04	05	06	07	12	16	18	19
A		30.5				25.7		
B		8.1				3.3		

ORIGIN	COUNTRY	JURISDICTION	CLASSIFICATION
X	FR	Not listed	N/A
	US	EAR	ECCN =EAR99

These commodities, technology or software are exported from the United States in accordance with the Export Administration Regulations. Diversion contrary to U.S. law is prohibited.

LINEAR MEASURE: $\frac{mm}{INCH}$ mm (INCH)

THIRD ANGLE PROJECTION

TOLERANCES UNLESS OTHERWISE SPECIFIED

No. OF PLACES	mm [INCH]
ONE PLACE	±3 [±.1]
TWO PLACES	±0.5 [±.02]
THREE PLACES	±0.25 [±.010]

ANGLES ±1°

DRAWING TITLE
JBX, SIZE 2, MALE INSULATOR, PCB CONTACT

CAT NO. **JBX2INSMP**

CAGE NO: 09922 SIZE: B

APPROVAL	DRAWN: SKV	02-02-15
	CHKD : EV	02-02-15
	DSGN : EV	02-02-15
	MFG : DH	02-02-15
	QC : BB	02-02-15
DRAWING SCALE: NA		
DRAWING NO.		REV

CUSTOMER

INTERPRET THIS DRAWING IN ACCORDANCE WITH ASME Y14.5M - 1994.

SOURIAU
WWW.SOURIAU.COM

JBX2INSMPC B

3 OF 3

THE INFORMATION CONTAINED IN THIS DRAWING IS CONFIDENTIAL AND MAY NOT BE DISCLOSED WITHOUT WRITTEN CONSENT FROM SOURIAU USA, INC.