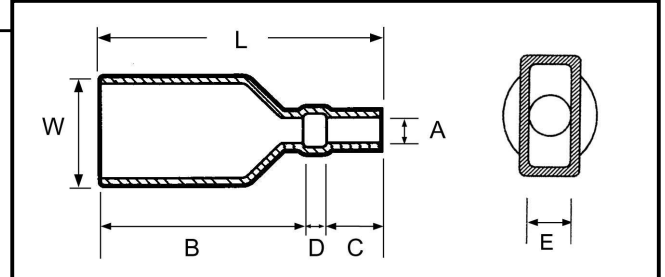


Insulating Sleeves for Disconnects

Straight PVC Insulating Sleeves

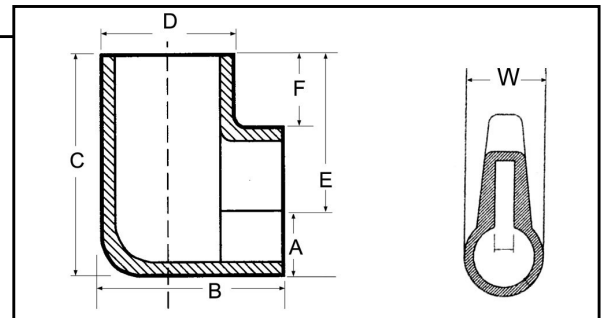
Material: Soft PVC
Temperature: 75°C
Color: Transparent



| HOFFMAN PART NO. | TYPE | NEMA TAB WIDTH | DIMENSIONS (mm) | | | | | | | |
|------------------|----------|----------------|-----------------|-------|------|------|------|------|-------|--|
| | | | A | B | C | D | E | W | L | |
| KF1825 | Straight | 0.187 | 2.50 | 15.50 | 5.00 | 2.50 | 2.30 | 5.70 | 23.00 | |
| KF1830 | Straight | 0.187 | 3.00 | 15.50 | 5.00 | 2.50 | 2.30 | 5.70 | 23.00 | |
| KF2032 | Straight | 0.205 | 3.00 | 15.50 | 5.00 | 2.50 | 3.00 | 6.50 | 23.00 | |
| KF2525 | Straight | 0.250 | 2.50 | 16.75 | 5.25 | 2.50 | 3.50 | 8.00 | 24.50 | |
| KF2528 | Straight | 0.250 | 2.80 | 16.75 | 5.25 | 2.50 | 3.50 | 8.00 | 24.50 | |
| KF2532 | Straight | 0.250 | 3.20 | 16.75 | 5.25 | 2.50 | 3.50 | 8.00 | 24.50 | |
| KF2538 | Straight | 0.250 | 3.80 | 17.75 | 5.25 | 2.50 | 3.50 | 8.00 | 25.50 | |

Flag Type PVC Insulating Sleeves

Material: Soft PVC
Temperature: 75°C
Color: Transparent



| HOFFMAN PART NO. | TYPE | NEMA TAB WIDTH | DIMENSIONS (mm) | | | | | | | |
|------------------|------------------------|----------------|-----------------|-------|-------|------|------|------|------|--|
| | | | A | B | C | D | E | W | L | |
| KFF183012M | Flag Type/ Round Entry | 0.187 | 3.00 | 12.00 | 13.00 | 5.70 | 6.00 | 2.30 | 8.00 | |
| KFF1832 | Flag Type | 0.187 | 3.20 | 12.00 | 13.00 | 5.70 | 6.00 | 2.30 | 8.00 | |
| KFF2540M | Flag Type/ Round Entry | 0.250 | 4.00 | 16.00 | 17.00 | 8.00 | 9.00 | 3.50 | 8.00 | |
| KFF2548 | Flag Type | 0.250 | 4.80 | 16.00 | 17.00 | 8.00 | 9.50 | 3.50 | 8.00 | |

