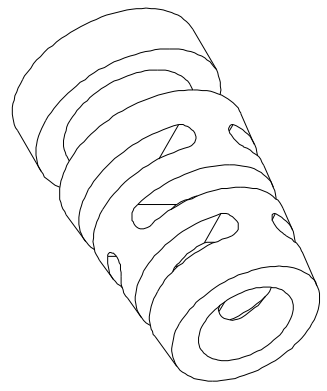
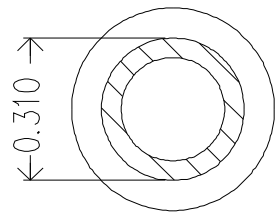
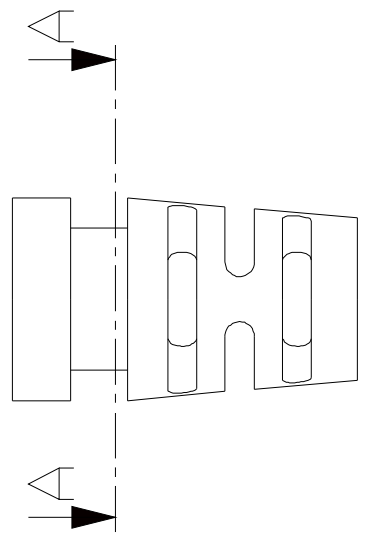
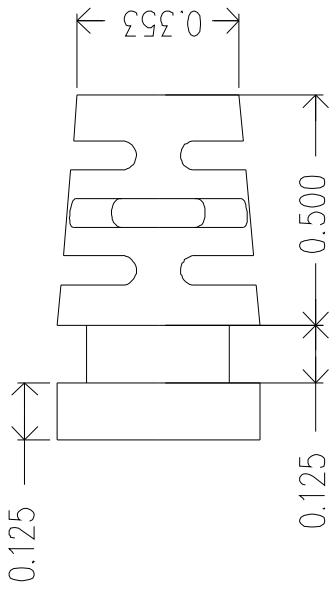
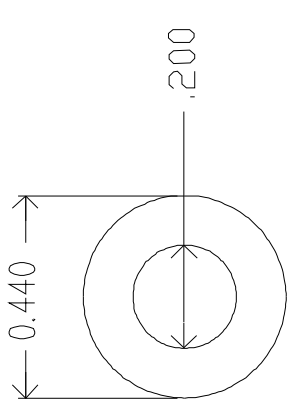


REVISIONS		DATE	APPROVED
ZONE	REV.	DATE	APPROVED



MOLD MATERIAL: ISC P/N: 5000214, PVC, M1472, Black, RoHS

DATE	NAME	DATE	ISC Engineering
11/07/03	R FIERRO	11/07/03	4351 Schaefer Ave, Chino, CA 91710
CHECKED			Ph: 909-596-3315 Fax: 909-596-3335
ENG APPR.			www.iscengineering.com
MFG APPR.			www.overmoldtooling.com
Q.A.			
COMMENTS:			
DIMENSIONS ARE IN INCHES			
TOLERANCES:			
FRACTIONAL ±			
ANGULAR: MACH ±			
BEND ±			
TWO PLACE DECIMAL ±			
THREE PLACE DECIMAL ±			
MATERIAL			
FINISH			
DO NOT SCALE DRAWING			
APPLICATION			
SCALE: 5:1			
WEIGHT:			
SIZE			
AWG. NO.			
REV			
SHEET OF 1			

Dimensions are subject to change.
 PROPRIETARY AND CONFIDENTIAL
 THE INFORMATION CONTAINED IN THIS DRAWING IS THE SOLE PROPERTY OF ISC ENGINEERING. ANY REPRODUCTION IN PART OR AS A WHOLE WITHOUT THE WRITTEN PERMISSION OF ISC ENGINEERING IS PROHIBITED.

A-A

ISC ENGINEERING
CONTROLLED COPY
 Rich Fierro 01/24/2019

1461080-200-E-310-440-0