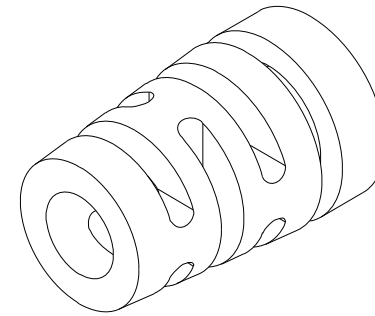
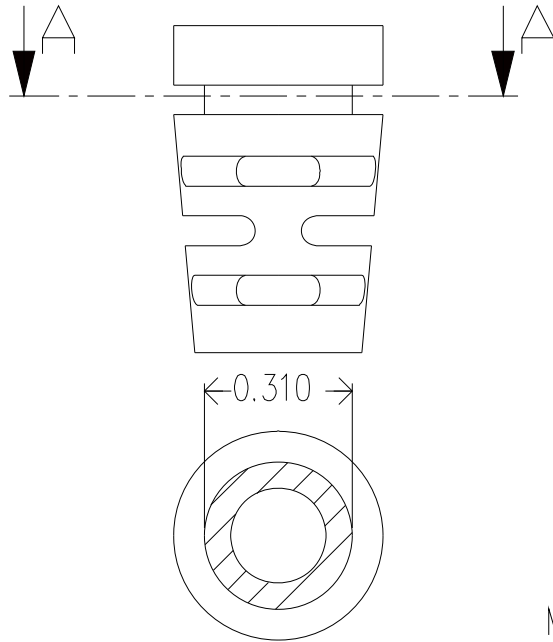
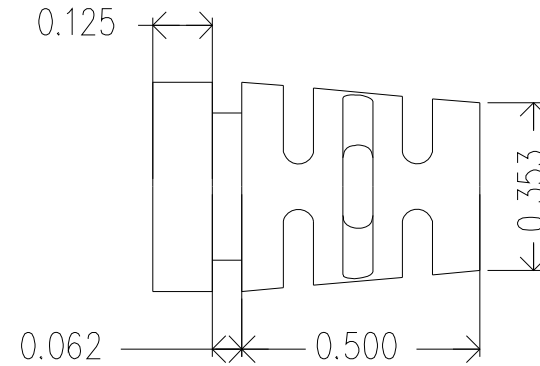
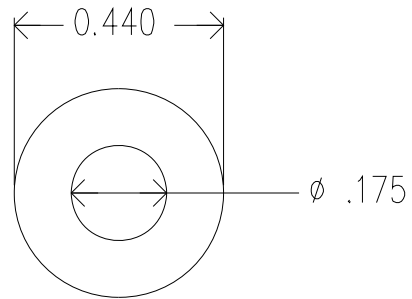


REVISIONS				
ZONE	REV.	DESCRIPTION	DATE	APPROVED



Mold Material, ISC P/N: 5000214, M1472, PVC, BLK, RoHS

A-A

Dimensions are subject to change.
PROPRIETARY AND CONFIDENTIAL
THE INFORMATION CONTAINED IN THIS DRAWING IS THE SOLE PROPERTY OF ISC ENGINEERING. ANY REPRODUCTION IN PART OR AS A WHOLE WITHOUT THE WRITTEN PERMISSION OF ISC ENGINEERING IS PROHIBITED.

		DIMENSIONS ARE IN INCHES		NAME	DATE	ISC Engineering 4351 Schaefer Ave, Chino, CA 91710 Ph: 909-596-3315 Fax: 909-596-3335 www.iscengineering.com www.overmoldtooling.com	
		TOLERANCES:		DRAWN	R FIERRO		03/10/04
		FRACTIONAL \pm		CHECKED			
		ANGULAR: MACH \pm BEND \pm		ENG APPR.			
		TWO PLACE DECIMAL \pm		MFG APPR.			
		THREE PLACE DECIMAL \pm		Q.A.			
		MATERIAL --		COMMENTS:		Standard Strain Relief 1461080-175-B-310-440-0	
NEXT ASSY	USED ON	FINISH --		SIZE	DWG. NO.		REV.
APPLICATION		DO NOT SCALE DRAWING		A	1467099		
				SCALE: 5:1	WEIGHT:	SHEET 1 OF 1	

ISC ENGINEERING
CONTROLLED COPY
Rich Fierro 09/29/2016