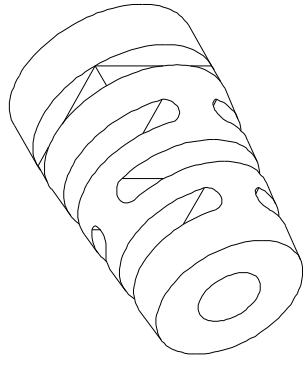
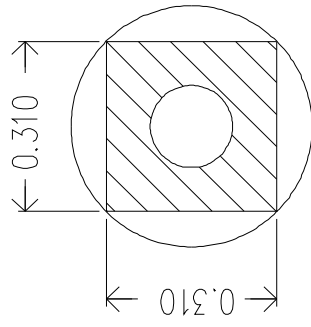
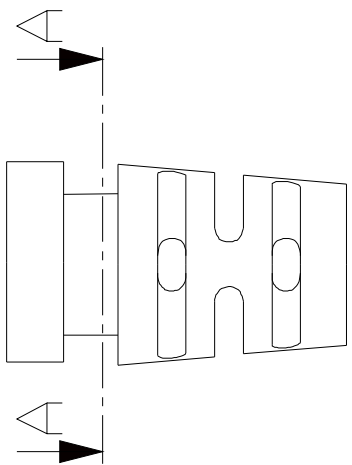
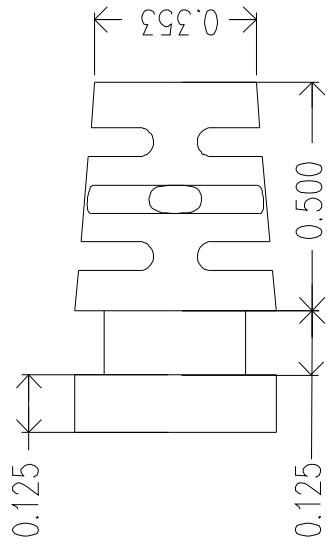
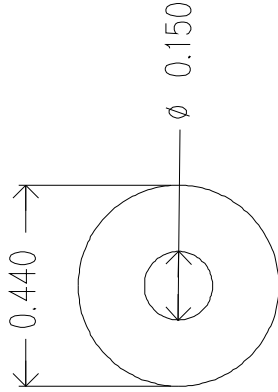


REVISIONS		DATE	APPROVED
ZONE	REV.		



MOLD MATERIAL, ISC P/N: 5000214, PVC, M1472, BLACK, RoHS

NAME	DATE	ISC Engineering
R FIERRO	11/22/05	4351 Schaefer Ave, Chino, CA 91710
		Ph: 909-596-3315 Fax: 909-596-3335
		www.iscengineering.com
		www.overnaltooling.com
		1461080-150-E-310X310-440-0
		SIZE DWG. NO. 1467098
		SCALE: 5:1 WEIGHT:
		SHEET 1 OF 1

DIMENSIONS ARE IN INCHES	DO	NOT	SCALE	DRAWING
TOLERANCES:				
FRACTIONAL ±				
ANGULAR: MACH ±				
BEND ±				
TWO PLACE DECIMAL ±				
THREE PLACE DECIMAL ±				
MATERIAL				
FINISH				
USED ON				
APPLICATION				

A-A
 Dimensions are subject to change.
 PROPRIETARY AND CONFIDENTIAL
 THE INFORMATION CONTAINED IN THIS DRAWING IS THE SOLE PROPERTY OF ISC ENGINEERING. ANY REPRODUCTION IN PART OR AS A WHOLE WITHOUT THE WRITTEN PERMISSION OF ISC ENGINEERING IS PROHIBITED.

