

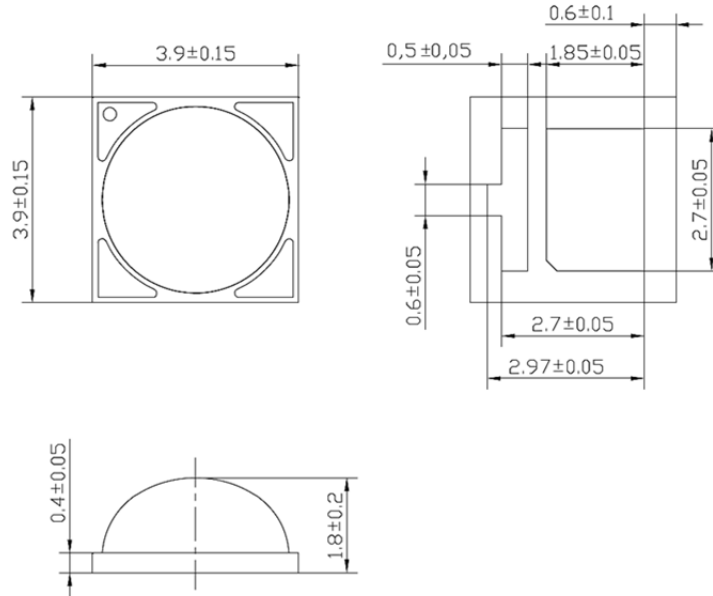


American Opto Plus LED Corp.

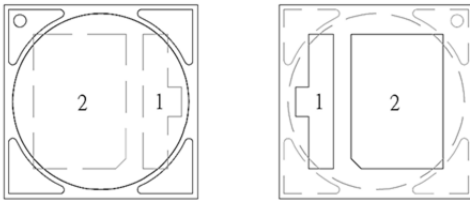
IRP4-855C-140D

3.9 x 3.9 x 1.8mm Power IR LED

PACKAGE OUTLINES



PAD CONFIGURATION



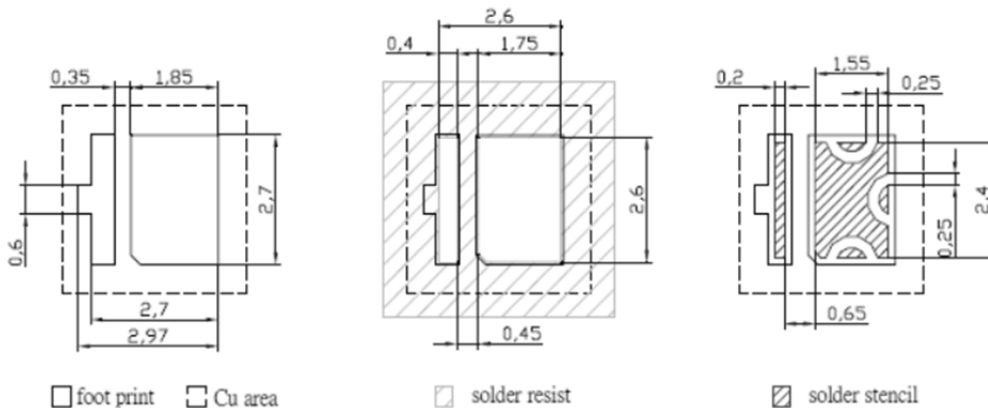
TOP

BOTTOM

PAD	Function
1	Cathode
2	Anode, Thermal

Note: Please don't put conductive material on the top surface of LEDs.

RECOMMENDED SOLDER PATTERN



Note: Unit (mm); tolerance ±0.05

Version 1.0 Date: 10-02-2019 Specifications are subject to change without notice.

American Opto Plus LED Corp. 1206 E. Lexington Ave., Pomona CA 91766 Tel: 909-465-0080 Fax: 909-465-0130 www.aopled.com



American Opto Plus LED Corp.

IRP4-855C-140D

3.9 x 3.9 x 1.8mm Power IR LED

ABSOLUTE MAXIMUM RATINGS

(Ta=25°C)

Parameter	Symbol	Value	Unit
Forward Current	I_F	1000	mA
Power Dissipation	P_D	3.5	W
Thermal Resistance, Junction-Case	$R_{th, J-C1}$	5	°C/W
Reverse Voltage	V_R	5	V
LED Junction Temperature	T_J	125	°C
Temperature Coefficient of Brightness	TC_I	-0.3	%/K
Temperature Coefficient of Voltage	TC_V	-2.6	mV/K
Temperature Coefficient of Wavelength	TC_A	0.3	nm/K
Operating Temperature Range	T_{OPR}	-40~+80	°C
Storage Temperature Range	T_{STG}	-40~+120	°C
Soldering Condition	T_{SOL}	260°C for 10 seconds	

OPTICAL-ELECTRO CHARACTERISTICS

(Ta=25°C)

Parameter	Test Condition	Symbol	Min	Typ	Max	Unit
Forward Voltage	$I_F=1000mA$	V_F	2.8	3.2	3.8	V
Radiant Flux		Φ_e	1100	1400	--	mW
Radiant Intensity		I_e	--	350	--	mW/sr
Peak Wavelength		λ_P	840	855	870	nm
Spectral Half-Width		$\Delta\lambda$	--	40	--	nm
Viewing Angle		$2\theta_{1/2}$	--	140	--	deg

Note: The thermal resistance value is measured with MCPCB.



American Opto Plus LED Corp.

IRP4-855C-140D

3.9 x 3.9 x 1.8mm Power IR LED

BIN CODES

Item	Bin Code	Symbol	Condition	Min	Max	Unit
Forward Voltage ¹	G	V_F	$I_F=1000\text{ mA}$	2.79	3.03	V
	H			3.03	3.27	
	J			3.27	3.51	
	K			3.51	3.75	
Luminous Flux ²	L	Φ_E	$I_F=1000\text{ mA}$	1000	1200	mW
	M			1200	1400	
	N			1400	1600	

Notes:

1. Forward voltage measurement allowance is $\pm 0.1V$
2. Luminous flux & Radiant flux measurement allowance is $\pm 10\%$

TYPICAL RADIATION PATTERN

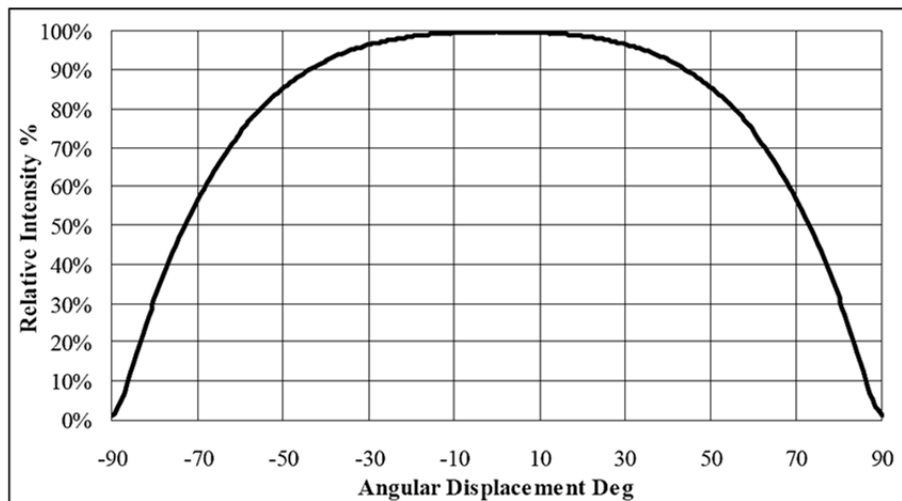


Fig. Typical Representative Spatial Radiation Pattern



American Opto Plus LED Corp.

IRP4-855C-140D

3.9 x 3.9 x 1.8mm Power IR LED

CHARACTERISTIC DIAGRAM

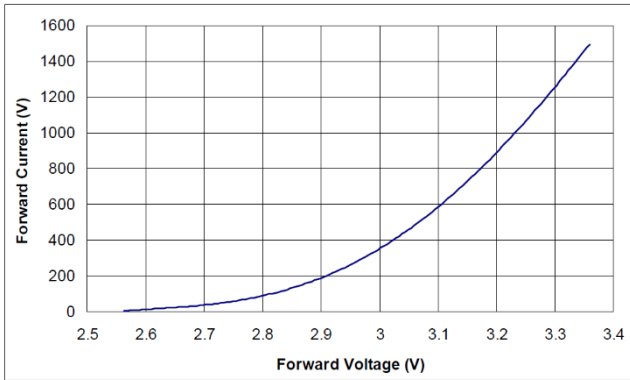


Fig. Forward Current vs. Forward Voltage

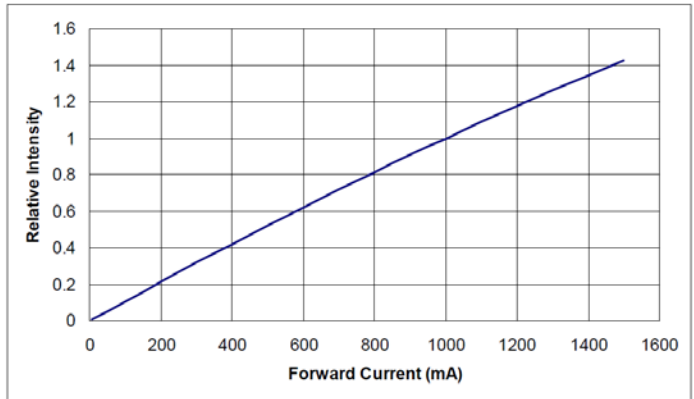


Fig. Relative Intensity vs. Forward Current

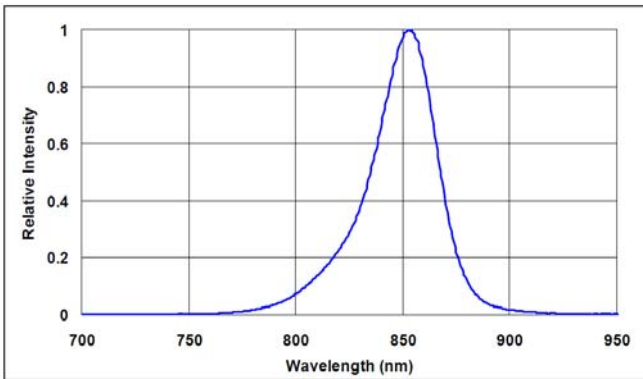


Fig. Typical Relative Intensity vs. wavelength

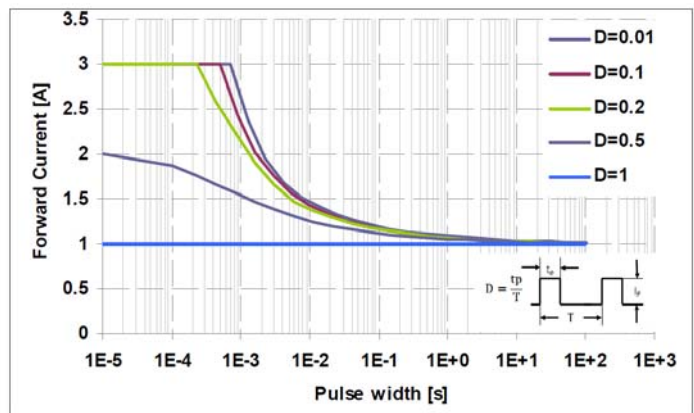


Fig. Permissible pulse handling capability at Tj=85°C for various duty cycles (D)

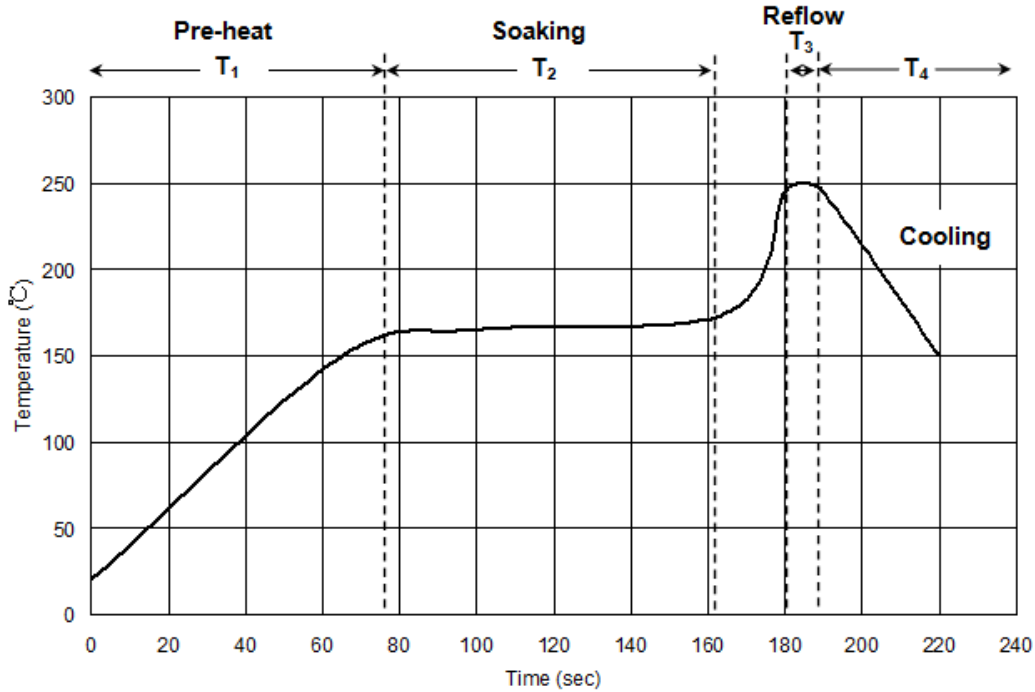


American Opto Plus LED Corp.

IRP4-855C-140D

3.9 x 3.9 x 1.8mm Power IR LED

REFLOW SOLDERING CHARACTERISTICS



T1	Ramp up rate	1.0~3.0 °C/sec
	Pre-heat time	50~80 sec
T2	Soaking temperature	155~185 °C
	Dwell time during soaking	60~120 sec
T3	Reflow temperature	240~250 °C
	Reflow time	Max 10 sec
T4	Ramp up rate during reflow	1.2~2.3 °C/sec
	Cooling	1.0~6.0 °C/sec

Note:

1. Suggest using Sn96Ag3Cu0.5 lead free solder

CLEANING

Use alcohol-based cleaning solvents such as isopropyl alcohol to clean the LED if necessary.



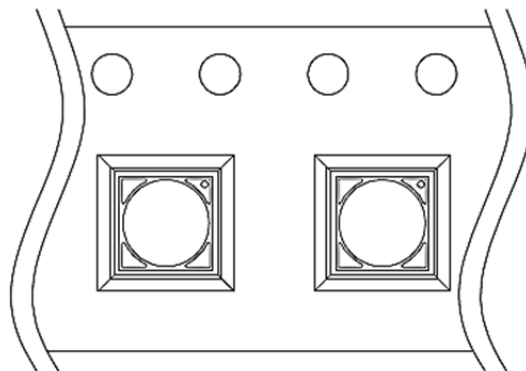
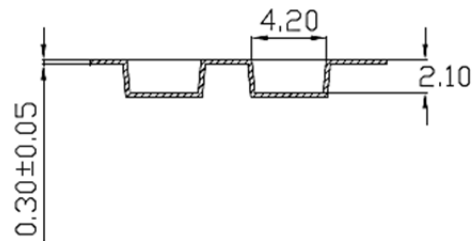
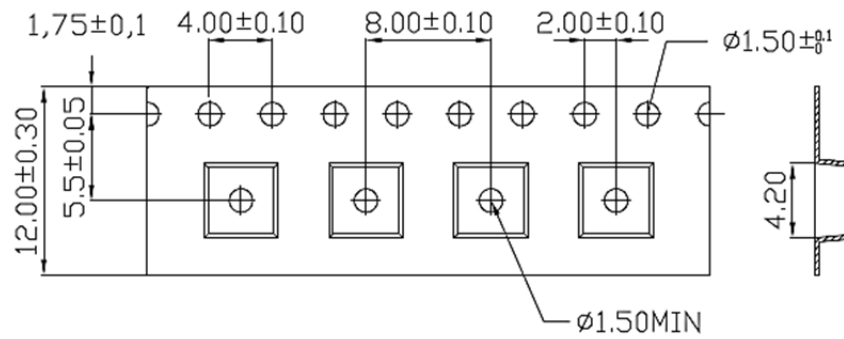
American Opto Plus LED Corp.

IRP4-855C-140D

3.9 x 3.9 x 1.8mm Power IR LED

SHIPPING PACKAGE DIMENSIONS

Tapping Dimension Packaging Specification



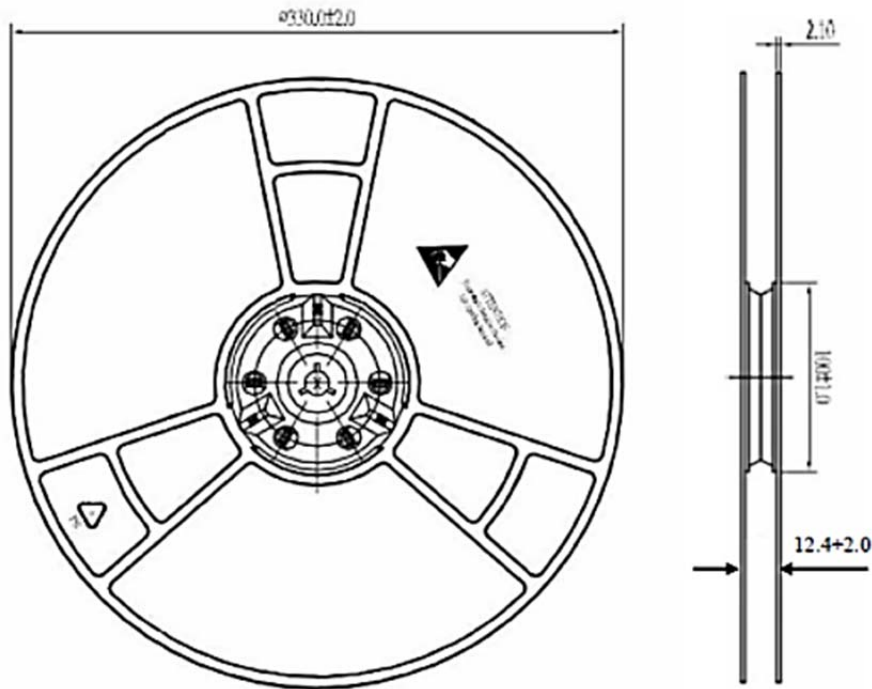


American Opto Plus LED Corp.

IRP4-855C-140D

3.9 x 3.9 x 1.8mm Power IR LED

REEL PACKAGING



Notes:

1. Unit (mm)
2. Ship in moisture proof bag
3. 1 Reel/Bag

13 inch Reel Package

Box Type	Dimension (mm)	Reel/Box	Lens Type (Pcs)
Small Box(S)	415 x 380 x 95	5 Reel/Box	12500
Middle Box(M)	415 x 380 x 290	15 Reel/Box	37500
Large Box(L)	780 x 432 x 310	30 Reel/Box	75000

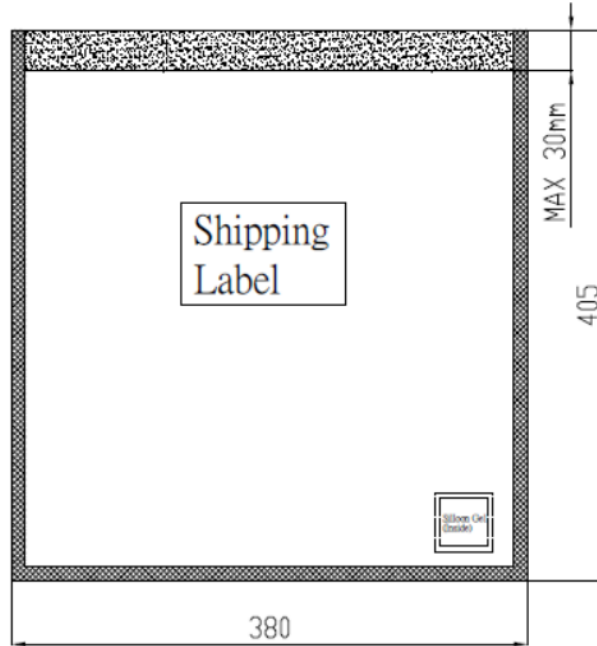


American Opto Plus LED Corp.

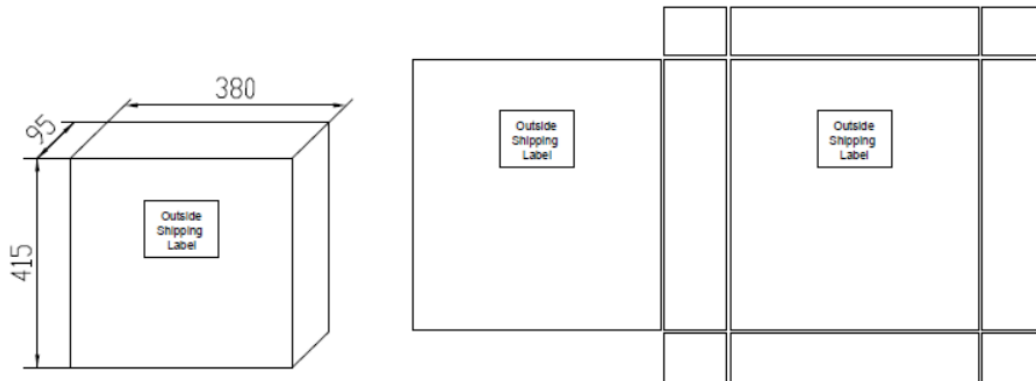
IRP4-855C-140D

3.9 x 3.9 x 1.8mm Power IR LED

ANTI-STATISTIC BAG



SMALL BOX



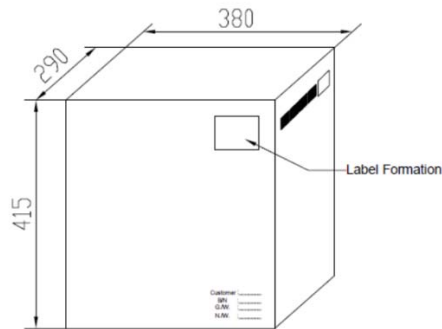
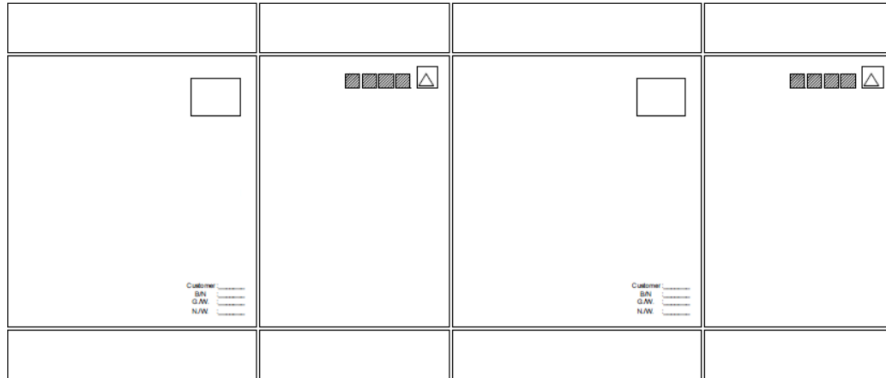


American Opto Plus LED Corp.

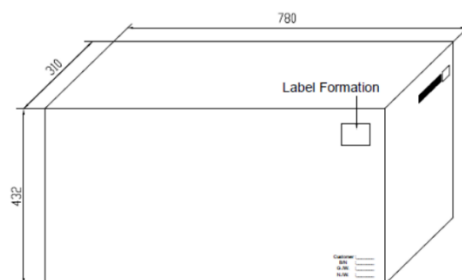
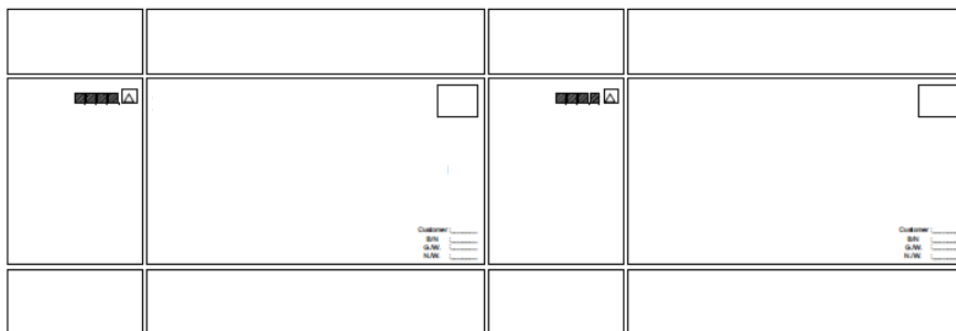
IRP4-855C-140D

3.9 x 3.9 x 1.8mm Power IR LED

MIDDLE BOX



LARGE BOX





American Opto Plus LED Corp.

IRP4-855C-140D

3.9 x 3.9 x 1.8mm Power IR LED

RELIABILITY TEST

Classification	Test Item	Test conditions	Reference Standard
Endurance Test	Operation Life	$I_F = 1000\text{mA}$ $T_a = 25^\circ\text{C}$ Test Duration = 1000hrs	MIL-STD-750: 1026 MIL-STD-883: 1005 JIS C 7021: B-1
	High Temperature High Humidity Storage	$I_F = 1000\text{mA}$ $T_a = 85\pm 5^\circ\text{C}$ RH = 85±5% Test Duration = 1000hrs	MIL-STD-202: 103B JIS C 7021: B-11
	High Temperature Storage	$T_a = 105\pm 5^\circ\text{C}$ Test Duration = 1000hrs	MIL-STD-202: 1008 JIS C 7021: B10
	Low Temperature Storage	$T_a = -40\pm 5^\circ\text{C}$ Test Duration = 1000hrs	JIS C 7021: B-12
Environmental Test	Temperature Cycling	$-30^\circ\text{C} \sim 25^\circ\text{C} \sim 105^\circ\text{C} \sim 25^\circ\text{C}$ 30min 5min 30min 5min Test Duration = 10 cycle	MIL-STD-202: 107D MIL-STD-750: 1051 MIL-STD-883: 1010 JIS C 7021: A-4
	Thermal Shock	$-30\pm 5^\circ\text{C} \sim 105\pm 5^\circ\text{C}$ 30min 30min Test Duration = 10 cycle	MIL-STD-202: 107D MIL-STD-750: 1051 MIL-STD-883: 1011
	Solder Resistance	$T_{\text{sol}} = 260\pm 5^\circ\text{C}$ Dwell Time = 10sec	MIL-STD-202: 210A MIL-STD-750: 2031 JIS C 7021: A-1

Measuring Items	Symbol	Measuring Conditions	Failure Criteria
Forward voltage	V_F	$I_F = 1000\text{mA}$	V_F shift > 10%
Luminous	$I_v\%$	$I_F = 1000\text{mA}$	$I_v\%$ shift > 10%