

Important notice

Dear Customer,

On 7 February 2017 the former NXP Standard Product business became a new company with the tradename **Nexperia**. Nexperia is an industry leading supplier of Discrete, Logic and PowerMOS semiconductors with its focus on the automotive, industrial, computing, consumer and wearable application markets

In data sheets and application notes which still contain NXP or Philips Semiconductors references, use the references to Nexperia, as shown below.

Instead of <http://www.nxp.com>, <http://www.philips.com/> or <http://www.semiconductors.philips.com/>, use <http://www.nexperia.com>

Instead of sales.addresses@www.nxp.com or sales.addresses@www.semiconductors.philips.com, use salesaddresses@nexperia.com (email)

Replace the copyright notice at the bottom of each page or elsewhere in the document, depending on the version, as shown below:

- © NXP N.V. (year). All rights reserved or © Koninklijke Philips Electronics N.V. (year). All rights reserved

Should be replaced with:

- © **Nexperia B.V. (year). All rights reserved.**

If you have any questions related to the data sheet, please contact our nearest sales office via e-mail or telephone (details via salesaddresses@nexperia.com). Thank you for your cooperation and understanding,

Kind regards,

Team Nexperia

IP4350CX24

9-channel SD memory card interface ESD protection filter to IEC 61000-4-2 level 4

Rev. 01 — 5 February 2010

Product data sheet

1. Product profile

1.1 General description

The IP4350CX24 is a diode array designed to provide protection to downstream components against ElectroStatic Discharge (ESD) voltages as high as 15 kV.

The IP4350CX24 integrates 9 pairs of rail-to-rail diodes, 12 Zener diodes and 15 resistors in a single wafer-level chip-scale package. It is fabricated using monolithic silicon semiconductor technology and measures only 1.95 mm × 2.11 mm.

These features make the IP4350CX24 ideal for use in applications requiring a high degree of miniaturization, such as mobile phone handsets, cordless telephones and personal digital devices.

1.2 Features

- Pb-free, RoHS compliant and free of halogen and antimony (Dark Green compliant)
- All SD memory card channels with integrated ESD protection, EMI and RF filters
- ESD protection up to 15 kV on 9 channels at output terminals
- Integrated EMI and RF filters with pull-up resistors on 5 channels
- Integrated EMI and RF filters on 4 channels
- Additional SD card power supply protection
- Wafer level chip-scale package with 0.4 mm pitch
- Write protection, card detect biasing resistor integrated
- Supports electrical card detection
- Also available as IP4352CX24 with different filter behavior, same footprint

1.3 Applications

- SD memory card interfaces in cellular and PCS mobile handsets
- Cordless telephones
- Digital still and video cameras
- Media players
- Card readers

2. Pinning information

2.1 Pinning

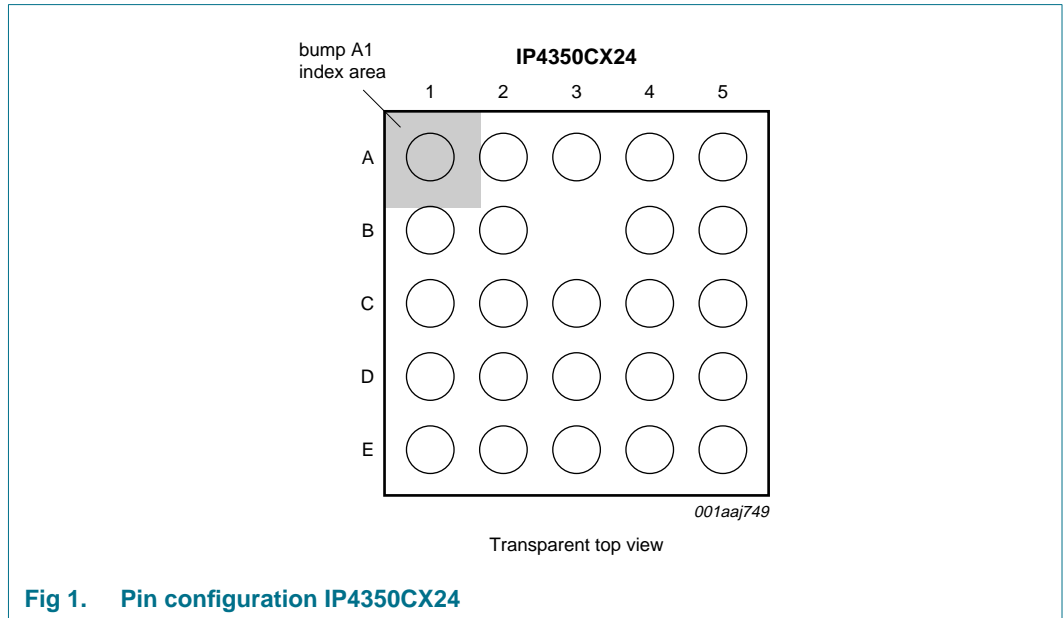


Fig 1. Pin configuration IP4350CX24

2.2 Pin description

Table 1. Pin description

Symbol	Pin	Type ^[1]	Description
DATA2	A1	I/O	data 2 input or output
DATA3	A2	I/O	data 3 input or output
GND_H	A3	S	supply ground on host side
SDDATA2	A4	I/O	data 2 input or output on SD card side
SDDATA3	A5	I/O	data 3 input or output on SD card side
CD	B1	O	card detect output
CMD	B2	I/O	command input or output on host side
SDCD	B4	I	card detect input
SDCMD	B5	I/O	command input or output on SD card side
DAT3_PD	C1	I	data 3 pull-down
WP	C2	O	write protect
DAT3_PU	C3	I	data 3 pull-up
SDWP	C4	O	write protect on SD card side
VSD	C5	S	memory card supply voltage
WP+CD	D1	I/O	write protect and card detect
CLK	D2	I/O	clock signal input or output
GND_C	D3	S	card supply ground
SDWP+CD	D4	I/O	write protect and card detect on SD card side
SDCLK	D5	I/O	clock signal on SD card side

Table 1. Pin description ...continued

Symbol	Pin	Type ^[1]	Description
DATA1	E1	I/O	data 1 input or output
DATA0	E2	I/O	data 0 input or output
GND_C	E3	S	card supply ground
SDDATA1	E4	I/O	data 1 input or output on SD card side
SDDATA0	E5	I/O	data 0 input or output on SD card side

[1] I = input, O = output, I/O = input and output, S = power supply.

3. Ordering information

Table 2. Ordering information

Type number	Package		Version
	Name	Description	
IP4350CX24	WLCSP24	wafer level chip-size package; 24 bumps; 1.95 × 2.11 × 0.61 mm	IP4350CX24/LF

4. Functional diagram

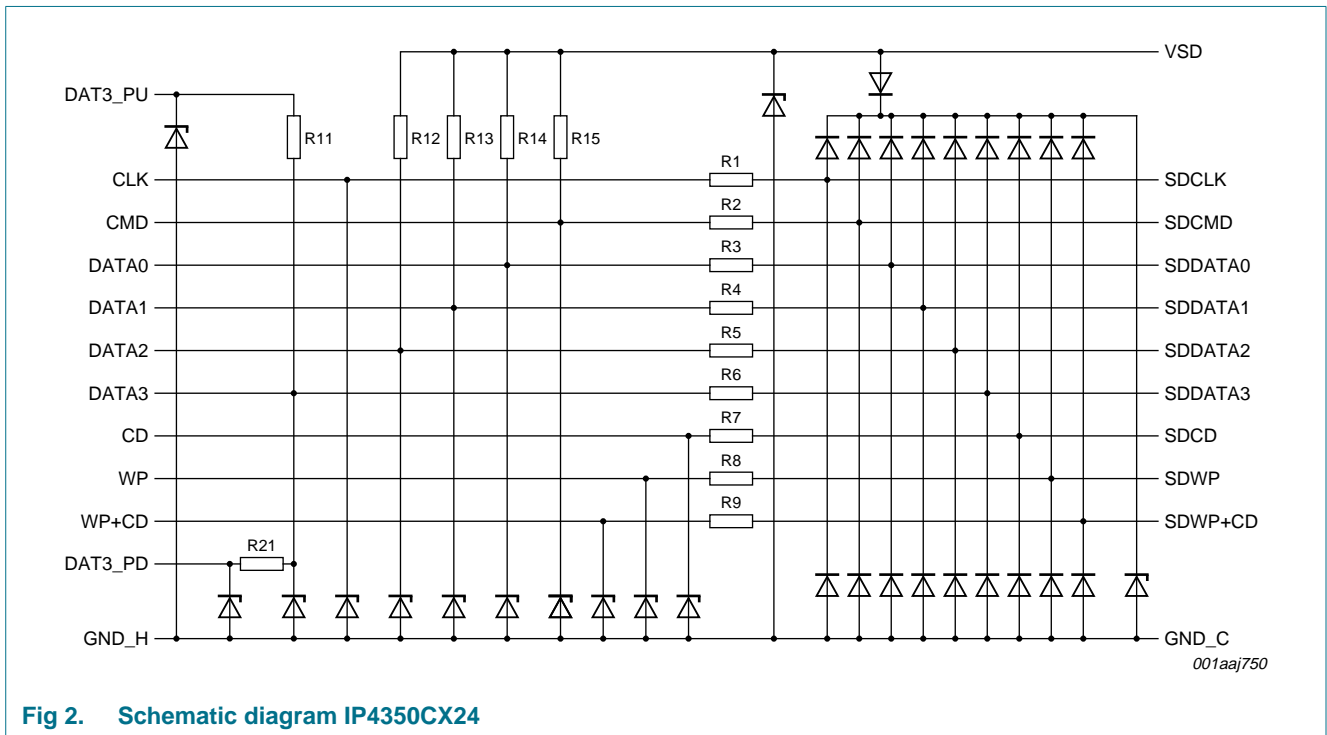


Fig 2. Schematic diagram IP4350CX24

5. Limiting values

Table 3. Limiting values

In accordance with the Absolute Maximum Rating System (IEC 60134).

Symbol	Parameter	Conditions	Min	Max	Unit
V_I	input voltage		-0.5	+5.0	V
V_{ESD}	electrostatic discharge voltage	IEC 61000-4-2, level 4; output pins A4, A5, B4, B5, C4, C5, D4, D5, E4, E5 with pins A3, D3, E3 as ground			
		contact discharge	[1] -8	+8	kV
		air discharge	-15	+15	kV
		IEC 61000-4-2, level 1, all other pins with A3, D3, E3 as ground			
		contact discharge	-2	+2	kV
		air discharge	-2	+2	kV
P_{ch}	channel power dissipation	continuous power; $T_{amb} = 70\text{ °C}$	-	25	mW
P_{tot}	total power dissipation	$T_{amb} = 70\text{ °C}$	-	100	mW
T_{stg}	storage temperature		-55	+150	°C
$T_{reflow(peak)}$	peak reflow temperature	10 s maximum	-	260	°C
T_{amb}	ambient temperature		-30	+85	°C

[1] Device is qualified with 1000 pulses of ± 15 kV contact discharges each, according to the IEC 61000-4-2 model and far exceeds the specified level 4 (8 kV contact discharge).

6. Characteristics

Table 4. Characteristics

$T_{amb} = 25\text{ °C}$ unless otherwise specified.

Symbol	Parameter	Conditions	Min	Typ	Max	Unit
$R_{S(ch)}$	channel series resistance	R1 to R9	12	15	18	Ω
		R11 to R14	35	50	65	k Ω
		R15	3.29	4.7	6.11	k Ω
		R21	329	47	611	k Ω
C_{ch}	channel capacitance	including diode capacitance; $V_I = 0\text{ V}$; $f = 1\text{ MHz}$	[1]			
		each data channel from SD card to I/O interface	-	8.8	-	pF
		CLK channel	-	7.8	-	pF
		DAT3_PD	-	6	-	pF
		DAT3_PU	-	5	-	pF
		VSD	-	37	-	pF
V_{BR}	breakdown voltage	$I_I = 1\text{ mA}$	6	-	-	V
I_{LR}	reverse leakage current	$V_I = 3\text{ V}$	-	-	100	nA

[1] Guaranteed by design.

7. Frequency response

Table 5. Frequency response

Symbol	Parameter	Conditions	Min	Typ	Max	Unit
α_{ij}	insertion loss	all channels; $R_{source} = 50 \Omega$; $R_L = 50 \Omega$				
		$f < 400 \text{ MHz}$	-	-	3	dB
		$400 \text{ MHz} < f < 800 \text{ MHz}$	3	-	6	dB
		$800 \text{ MHz} < f < 2.5 \text{ GHz}$	6	-	15	dB
		$2.5 \text{ GHz} < f < 6.0 \text{ GHz}$	15	-	25	dB

Table 6. Time domain response^[1]

Symbol	Parameter	Conditions	Min	Typ	Max	Unit
high speed $R_{source} = 50 \Omega$; $t_r = t_f = 2 \text{ ns}$^[2]						
t_r	rise time	load $20 \text{ pF} \parallel 100 \text{ k}\Omega$	-	2.3	-	ns
		load $40 \text{ pF} \parallel 100 \text{ k}\Omega$	-	3.4	-	ns
t_f	fall time	load $20 \text{ pF} \parallel 100 \text{ k}\Omega$	-	2.4	-	ns
		load $40 \text{ pF} \parallel 100 \text{ k}\Omega$	-	3.5	-	ns

[1] All rise or fall times measured using source with 0 V to 3 V steps, 10 % to 90 %.

[2] Performed on all high speed lines (channels including R1 to R9, see [Figure 2](#)).

8. Application information

8.1 Insertion loss

The insertion loss measurement configuration of a typical NetWork Analyzer (NWA) system is shown in [Figure 3](#). The insertion loss is measured with a test PCB utilizing laser drilled micro-via holes that connect the PCB ground plane to the IP4350CX24 ground pins.

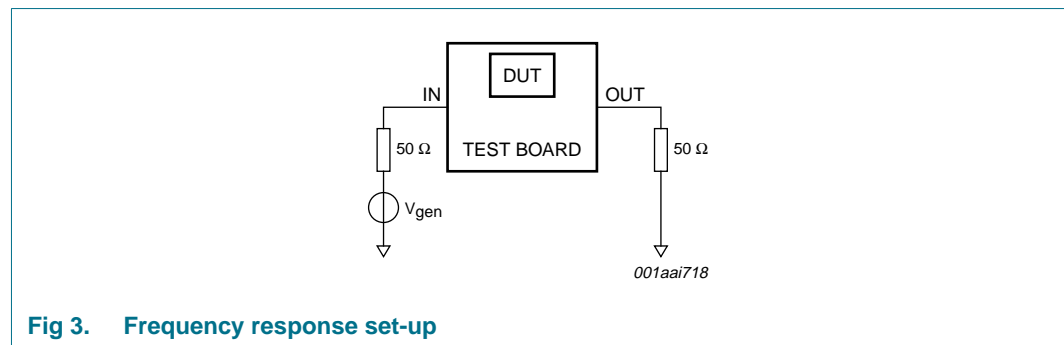
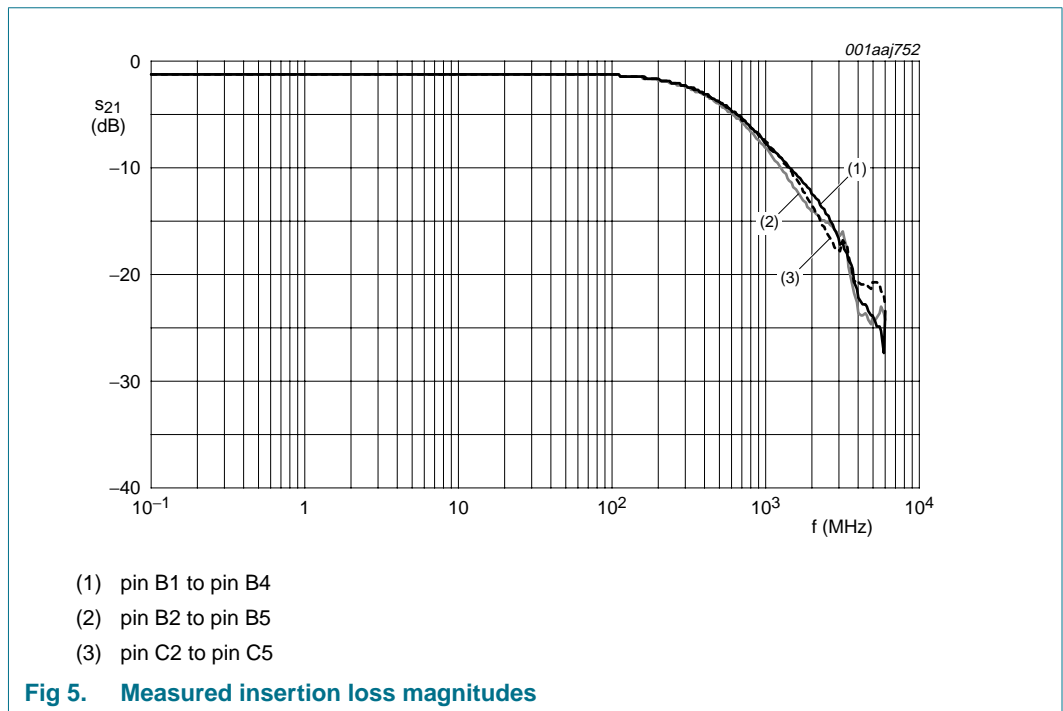
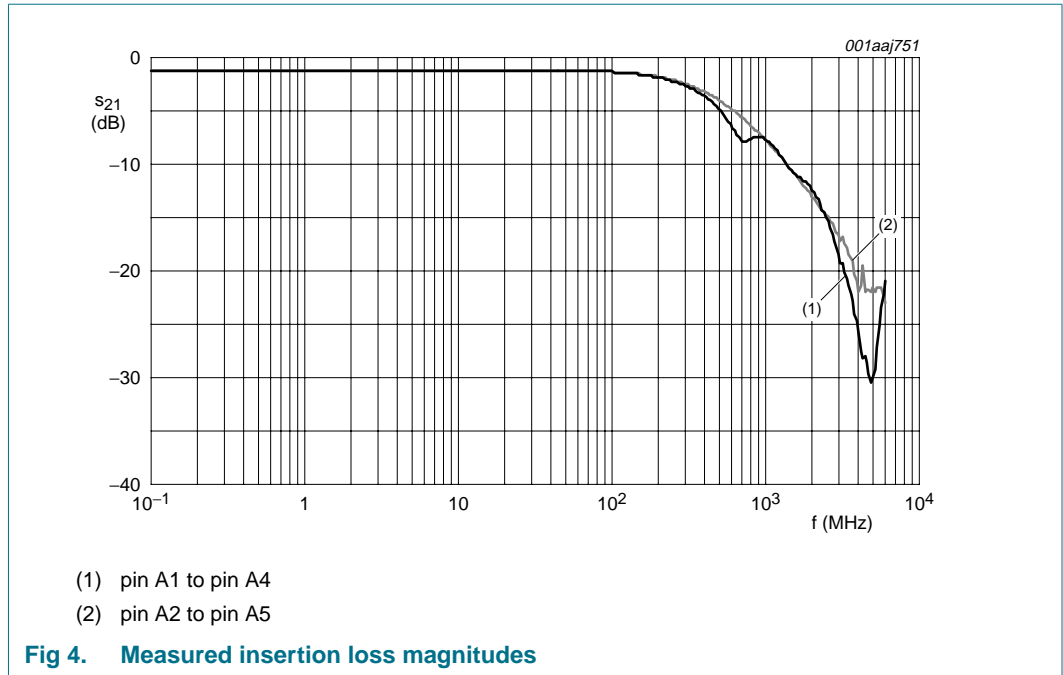
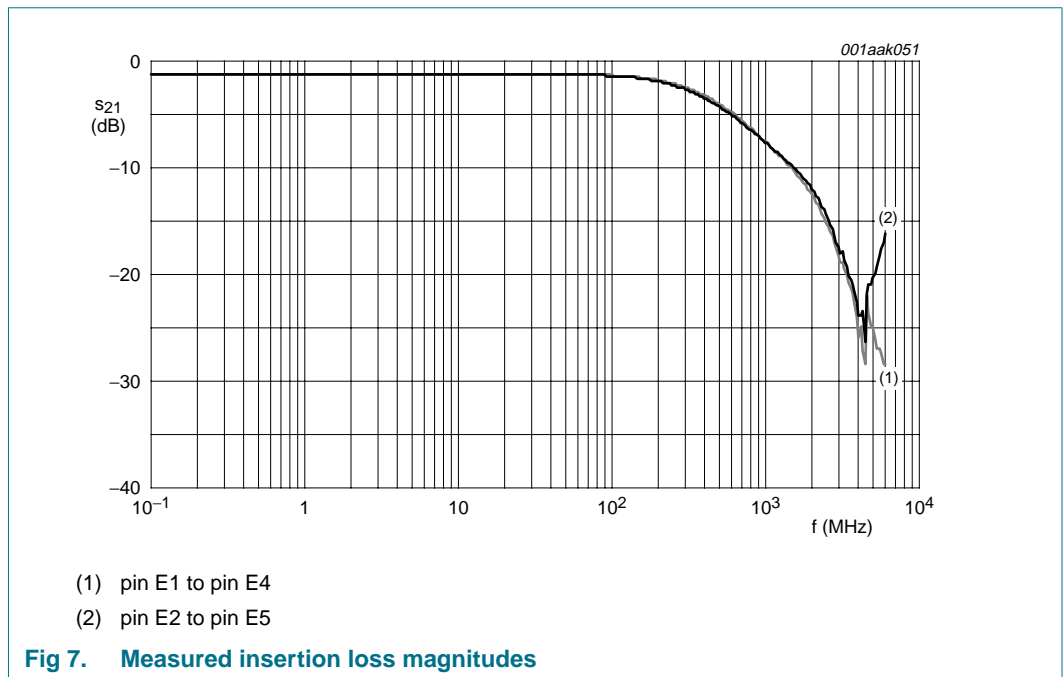
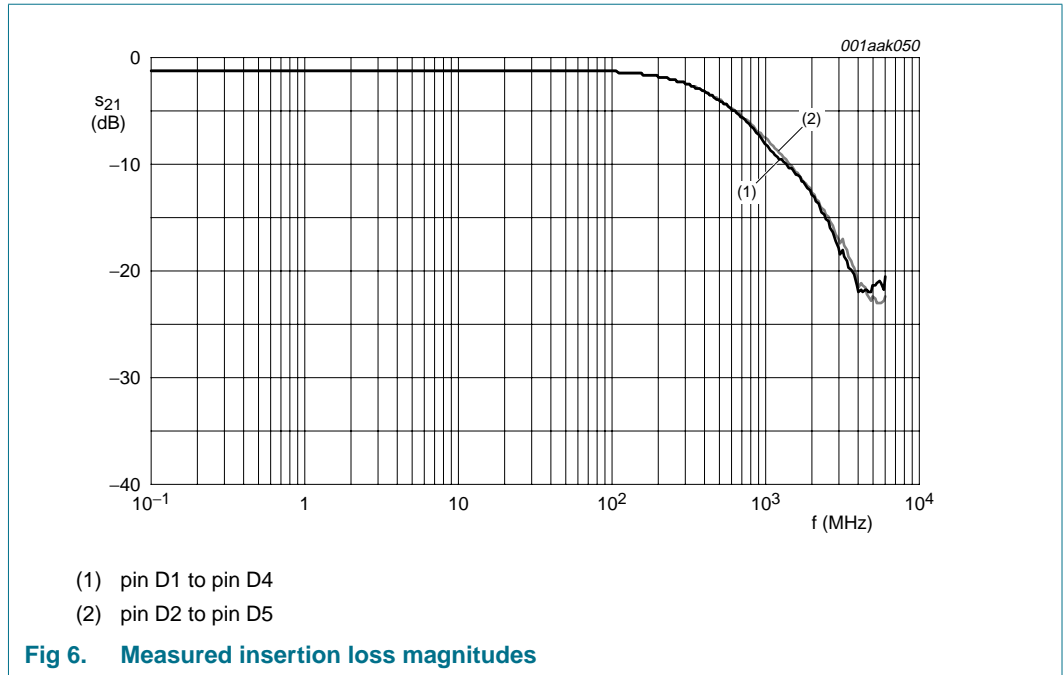


Fig 3. Frequency response set-up

The frequency response curves for all channels at frequencies up to 6 GHz are shown in [Figure 4](#) to [Figure 7](#).





8.2 Crosstalk

The set-up for crosstalk measurements in a 50 Ω NWA system from one channel to another is shown in [Figure 8](#). Typical examples of crosstalk measurement results are depicted in [Figure 9](#), [Figure 10](#) and [Figure 11](#). Unused channels are terminated with 50 Ω to ground.

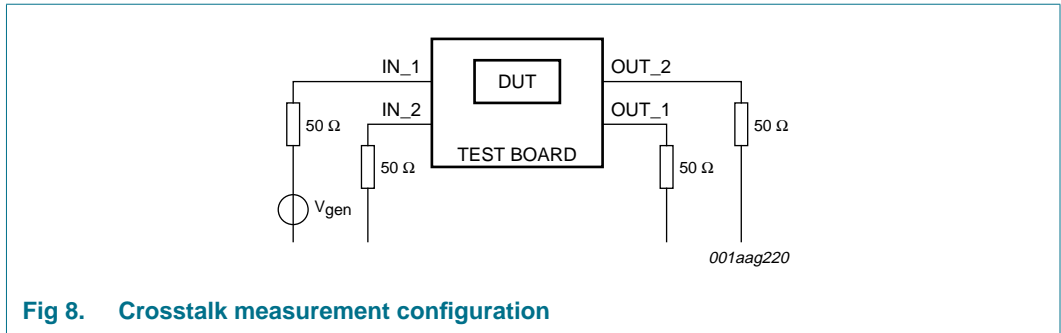


Fig 8. Crosstalk measurement configuration

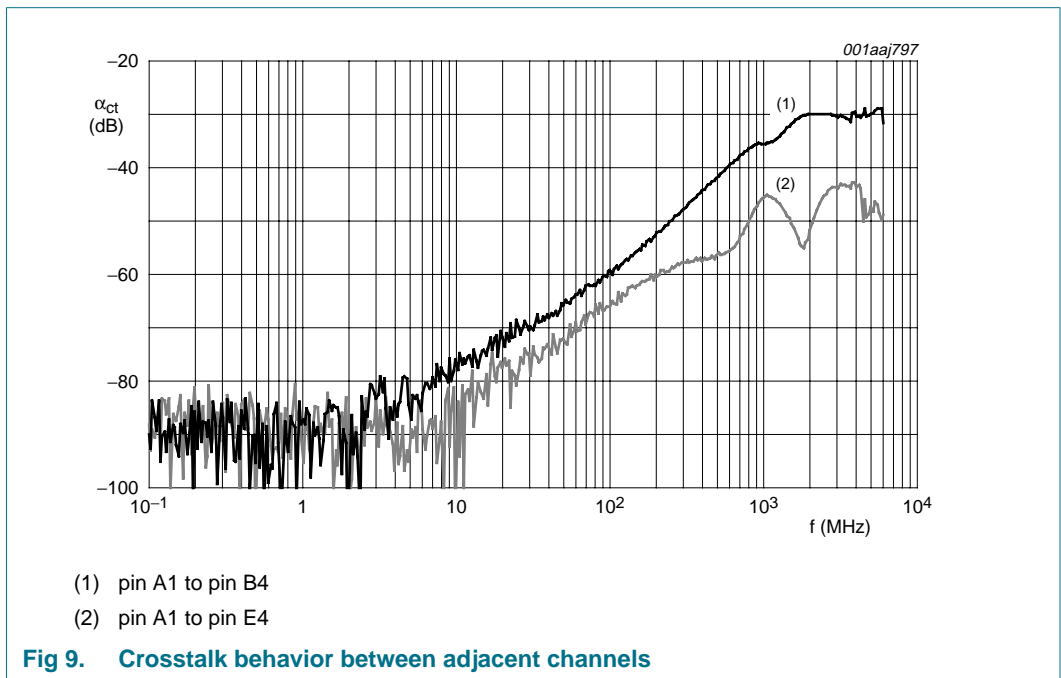
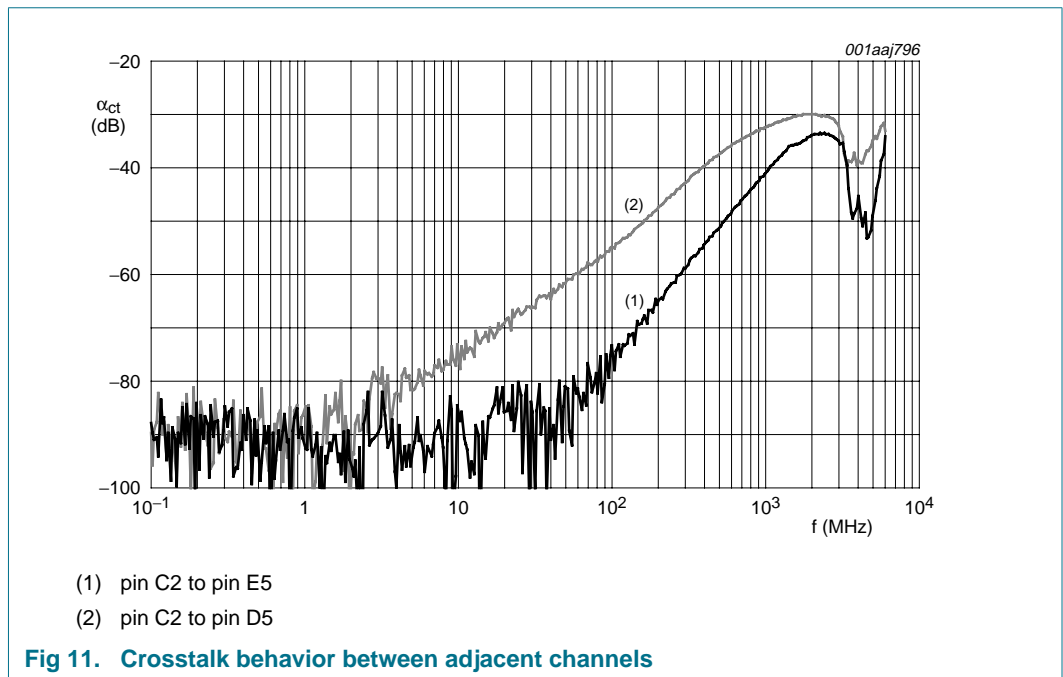
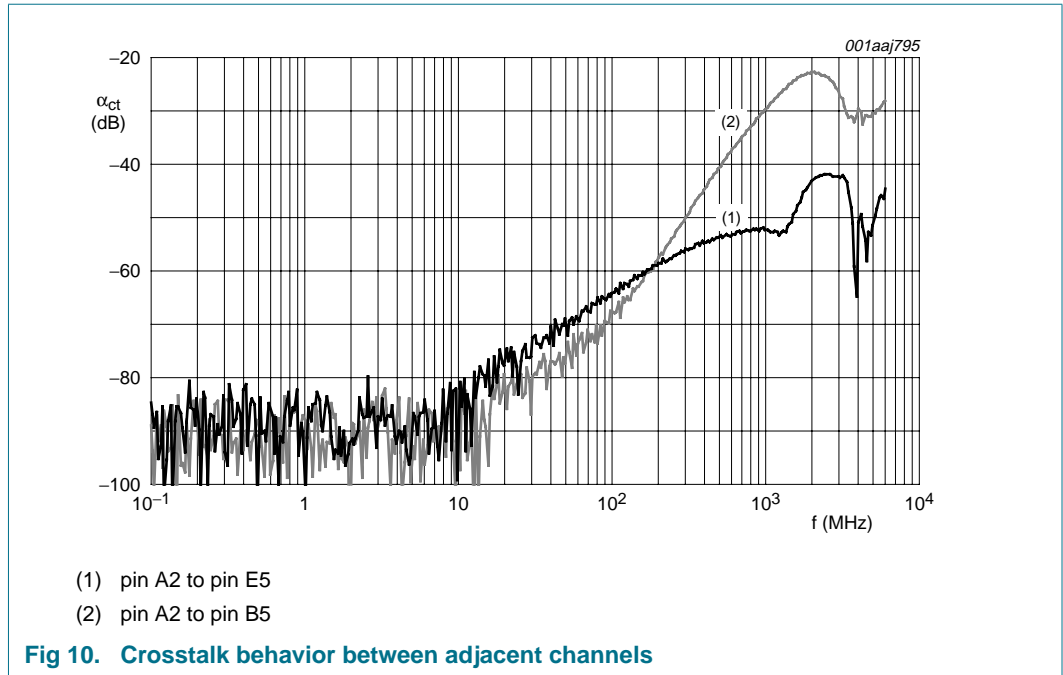


Fig 9. Crosstalk behavior between adjacent channels



9. Package outline

WLCSP24: wafer level chip-size package; 24 bumps; 1.95 x 2.11 x 0.61 mm

IP4350CX24

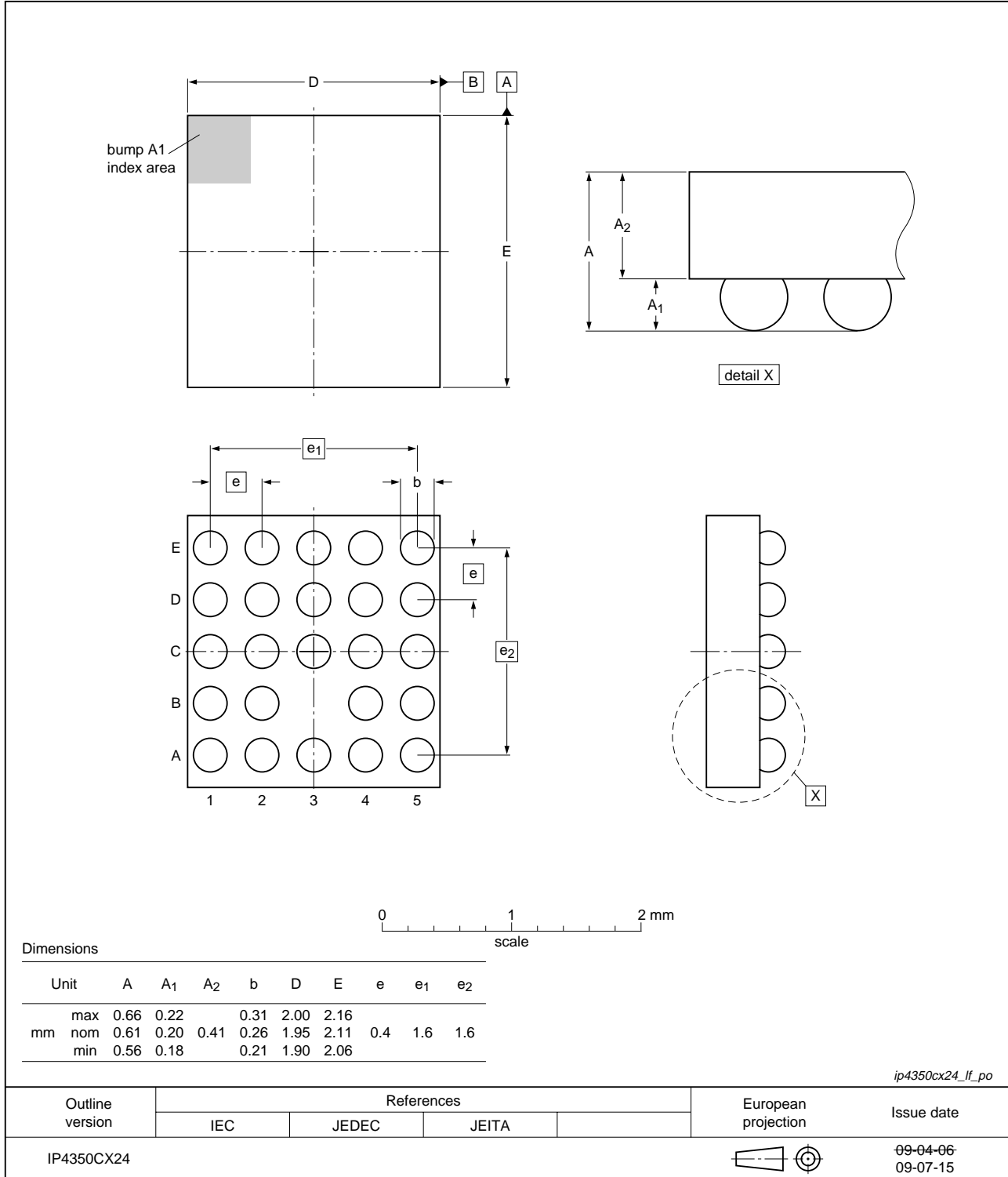


Fig 12. Package outline IP4350CX24/LF (WLCSP24)

10. Soldering of WLCSP packages

10.1 Introduction to soldering WLCSP packages

This text provides a very brief insight into a complex technology. A more in-depth account of soldering WLCSP (Wafer Level Chip-Size Packages) can be found in application note AN10439 "Wafer Level Chip Scale Package" and in application note AN10365 "Surface mount reflow soldering description".

Wave soldering is not suitable for this package.

All NXP WLCSP packages are lead-free.

10.2 Board mounting

Board mounting of a WLCSP requires several steps:

1. Solder paste printing on the PCB
2. Component placement with a pick and place machine
3. The reflow soldering itself

10.3 Reflow soldering

Key characteristics in reflow soldering are:

- Lead-free versus SnPb soldering; note that a lead-free reflow process usually leads to higher minimum peak temperatures (see [Figure 13](#)) than a PbSn process, thus reducing the process window
- Solder paste printing issues, such as smearing, release, and adjusting the process window for a mix of large and small components on one board
- Reflow temperature profile; this profile includes preheat, reflow (in which the board is heated to the peak temperature), and cooling down. It is imperative that the peak temperature is high enough for the solder to make reliable solder joints (a solder paste characteristic) while being low enough that the packages and/or boards are not damaged. The peak temperature of the package depends on package thickness and volume and is classified in accordance with [Table 7](#).

Table 7. Lead-free process (from J-STD-020C)

Package thickness (mm)	Package reflow temperature (°C)		
	Volume (mm ³)		
	< 350	350 to 2000	> 2000
< 1.6	260	260	260
1.6 to 2.5	260	250	245
> 2.5	250	245	245

Moisture sensitivity precautions, as indicated on the packing, must be respected at all times.

Studies have shown that small packages reach higher temperatures during reflow soldering, see [Figure 13](#).

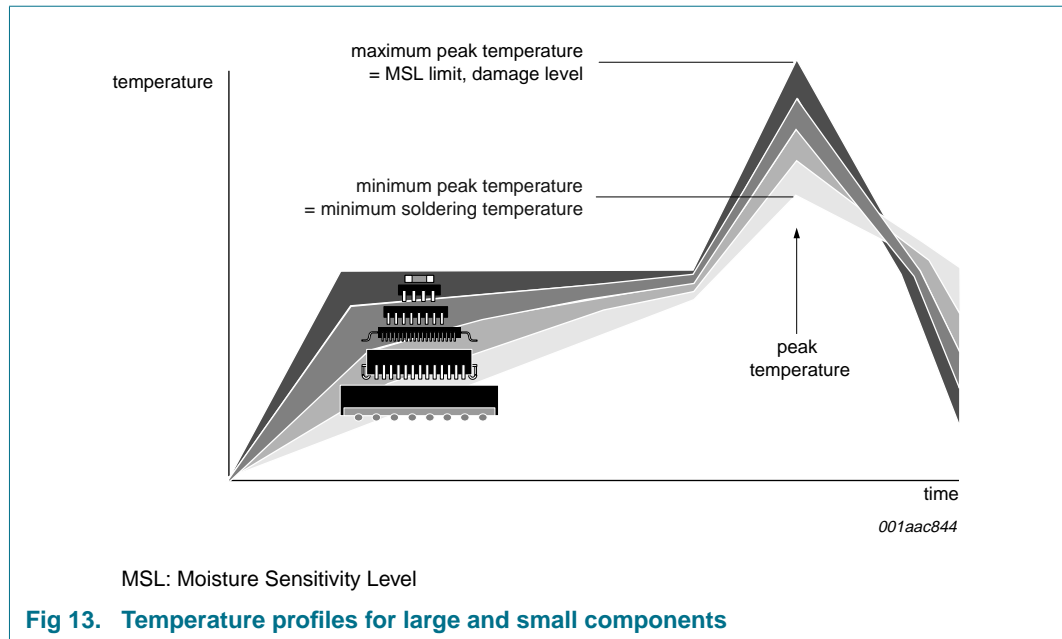


Fig 13. Temperature profiles for large and small components

For further information on temperature profiles, refer to application note *AN10365 "Surface mount reflow soldering description"*.

10.3.1 Stand off

The stand off between the substrate and the chip is determined by:

- The amount of printed solder on the substrate
- The size of the solder land on the substrate
- The bump height on the chip

The higher the stand off, the better the stresses are released due to TEC (Thermal Expansion Coefficient) differences between substrate and chip.

10.3.2 Quality of solder joint

A flip-chip joint is considered to be a good joint when the entire solder land has been wetted by the solder from the bump. The surface of the joint should be smooth and the shape symmetrical. The soldered joints on a chip should be uniform. Voids in the bumps after reflow can occur during the reflow process in bumps with high ratio of bump diameter to bump height, i.e. low bumps with large diameter. No failures have been found to be related to these voids. Solder joint inspection after reflow can be done with X-ray to monitor defects such as bridging, open circuits and voids.

10.3.3 Rework

In general, rework is not recommended. By rework we mean the process of removing the chip from the substrate and replacing it with a new chip. If a chip is removed from the substrate, most solder balls of the chip will be damaged. In that case it is recommended not to re-use the chip again.

Device removal can be done when the substrate is heated until it is certain that all solder joints are molten. The chip can then be carefully removed from the substrate without damaging the tracks and solder lands on the substrate. Removing the device must be done using plastic tweezers, because metal tweezers can damage the silicon. The surface of the substrate should be carefully cleaned and all solder and flux residues and/or underfill removed. When a new chip is placed on the substrate, use the flux process instead of solder on the solder lands. Apply flux on the bumps at the chip side as well as on the solder pads on the substrate. Place and align the new chip while viewing with a microscope. To reflow the solder, use the solder profile shown in application note AN10365 "Surface mount reflow soldering description".

10.3.4 Cleaning

Cleaning can be done after reflow soldering.

11. Abbreviations

Table 8. Abbreviations

Acronym	Description
DUT	Device Under Test
EMI	ElectroMagnetic Interference
ESD	ElectroStatic Discharge
NWA	NetWork Analyzer
PCB	Printed-Circuit Board
PCS	Personal Communication System
RFI	Radio Frequency Interference
RoHS	Restriction of Hazardous Substances
SD	Secure Digital

12. Revision history

Table 9. Revision history

Document ID	Release date	Data sheet status	Change notice	Supersedes
IP4350CX24_1	20100205	Product data sheet	-	-

13. Legal information

13.1 Data sheet status

Document status ^{[1][2]}	Product status ^[3]	Definition
Objective [short] data sheet	Development	This document contains data from the objective specification for product development.
Preliminary [short] data sheet	Qualification	This document contains data from the preliminary specification.
Product [short] data sheet	Production	This document contains the product specification.

[1] Please consult the most recently issued document before initiating or completing a design.

[2] The term 'short data sheet' is explained in section "Definitions".

[3] The product status of device(s) described in this document may have changed since this document was published and may differ in case of multiple devices. The latest product status information is available on the Internet at URL <http://www.nxp.com>.

13.2 Definitions

Draft — The document is a draft version only. The content is still under internal review and subject to formal approval, which may result in modifications or additions. NXP Semiconductors does not give any representations or warranties as to the accuracy or completeness of information included herein and shall have no liability for the consequences of use of such information.

Short data sheet — A short data sheet is an extract from a full data sheet with the same product type number(s) and title. A short data sheet is intended for quick reference only and should not be relied upon to contain detailed and full information. For detailed and full information see the relevant full data sheet, which is available on request via the local NXP Semiconductors sales office. In case of any inconsistency or conflict with the short data sheet, the full data sheet shall prevail.

Product specification — The information and data provided in a Product data sheet shall define the specification of the product as agreed between NXP Semiconductors and its customer, unless NXP Semiconductors and customer have explicitly agreed otherwise in writing. In no event however, shall an agreement be valid in which the NXP Semiconductors product is deemed to offer functions and qualities beyond those described in the Product data sheet.

13.3 Disclaimers

Limited warranty and liability — Information in this document is believed to be accurate and reliable. However, NXP Semiconductors does not give any representations or warranties, expressed or implied, as to the accuracy or completeness of such information and shall have no liability for the consequences of use of such information.

In no event shall NXP Semiconductors be liable for any indirect, incidental, punitive, special or consequential damages (including - without limitation - lost profits, lost savings, business interruption, costs related to the removal or replacement of any products or rework charges) whether or not such damages are based on tort (including negligence), warranty, breach of contract or any other legal theory.

Notwithstanding any damages that customer might incur for any reason whatsoever, NXP Semiconductors' aggregate and cumulative liability towards customer for the products described herein shall be limited in accordance with the *Terms and conditions of commercial sale* of NXP Semiconductors.

Right to make changes — NXP Semiconductors reserves the right to make changes to information published in this document, including without limitation specifications and product descriptions, at any time and without notice. This document supersedes and replaces all information supplied prior to the publication hereof.

Suitability for use — NXP Semiconductors products are not designed, authorized or warranted to be suitable for use in medical, military, aircraft, space or life support equipment, nor in applications where failure or

malfunction of an NXP Semiconductors product can reasonably be expected to result in personal injury, death or severe property or environmental damage. NXP Semiconductors accepts no liability for inclusion and/or use of NXP Semiconductors products in such equipment or applications and therefore such inclusion and/or use is at the customer's own risk.

Applications — Applications that are described herein for any of these products are for illustrative purposes only. NXP Semiconductors makes no representation or warranty that such applications will be suitable for the specified use without further testing or modification.

NXP Semiconductors does not accept any liability related to any default, damage, costs or problem which is based on a weakness or default in the customer application/use or the application/use of customer's third party customer(s) (hereinafter both referred to as "Application"). It is customer's sole responsibility to check whether the NXP Semiconductors product is suitable and fit for the Application planned. Customer has to do all necessary testing for the Application in order to avoid a default of the Application and the product. NXP Semiconductors does not accept any liability in this respect.

Limiting values — Stress above one or more limiting values (as defined in the Absolute Maximum Ratings System of IEC 60134) will cause permanent damage to the device. Limiting values are stress ratings only and (proper) operation of the device at these or any other conditions above those given in the Recommended operating conditions section (if present) or the Characteristics sections of this document is not warranted. Constant or repeated exposure to limiting values will permanently and irreversibly affect the quality and reliability of the device.

Terms and conditions of commercial sale — NXP Semiconductors products are sold subject to the general terms and conditions of commercial sale, as published at <http://www.nxp.com/profile/terms>, unless otherwise agreed in a valid written individual agreement. In case an individual agreement is concluded only the terms and conditions of the respective agreement shall apply. NXP Semiconductors hereby expressly objects to applying the customer's general terms and conditions with regard to the purchase of NXP Semiconductors products by customer.

No offer to sell or license — Nothing in this document may be interpreted or construed as an offer to sell products that is open for acceptance or the grant, conveyance or implication of any license under any copyrights, patents or other industrial or intellectual property rights.

Export control — This document as well as the item(s) described herein may be subject to export control regulations. Export might require a prior authorization from national authorities.

Non-automotive qualified products — Unless the data sheet of an NXP Semiconductors product expressly states that the product is automotive qualified, the product is not suitable for automotive use. It is neither qualified nor tested in accordance with automotive testing or application requirements. NXP Semiconductors accepts no liability for inclusion and/or use of non-automotive qualified products in automotive equipment or applications.

In the event that customer uses the product for design-in and use in automotive applications to automotive specifications and standards, customer (a) shall use the product without NXP Semiconductors' warranty of the

product for such automotive applications, use and specifications, and (b) whenever customer uses the product for automotive applications beyond NXP Semiconductors' specifications such use shall be solely at customer's own risk, and (c) customer fully indemnifies NXP Semiconductors for any liability, damages or failed product claims resulting from customer design and use of the product for automotive applications beyond NXP Semiconductors' standard warranty and NXP Semiconductors' product specifications.

13.4 Trademarks

Notice: All referenced brands, product names, service names and trademarks are the property of their respective owners.

14. Contact information

For more information, please visit: <http://www.nxp.com>

For sales office addresses, please send an email to: salesaddresses@nxp.com

15. Contents

1	Product profile	1
1.1	General description	1
1.2	Features	1
1.3	Applications	1
2	Pinning information	2
2.1	Pinning	2
2.2	Pin description	2
3	Ordering information	3
4	Functional diagram	3
5	Limiting values	4
6	Characteristics	4
7	Frequency response	5
8	Application information	5
8.1	Insertion loss	5
8.2	Crosstalk	7
9	Package outline	10
10	Soldering of WLCSP packages	11
10.1	Introduction to soldering WLCSP packages	11
10.2	Board mounting	11
10.3	Reflow soldering	11
10.3.1	Stand off	12
10.3.2	Quality of solder joint	12
10.3.3	Rework	12
10.3.4	Cleaning	13
11	Abbreviations	13
12	Revision history	13
13	Legal information	14
13.1	Data sheet status	14
13.2	Definitions	14
13.3	Disclaimers	14
13.4	Trademarks	15
14	Contact information	15
15	Contents	16

Please be aware that important notices concerning this document and the product(s) described herein, have been included in section 'Legal information'.

founded by

PHILIPS

© NXP B.V. 2010.

All rights reserved.

For more information, please visit: <http://www.nxp.com>

For sales office addresses, please send an email to: salesaddresses@nxp.com

Date of release: 5 February 2010

Document identifier: IP4350CX24_1