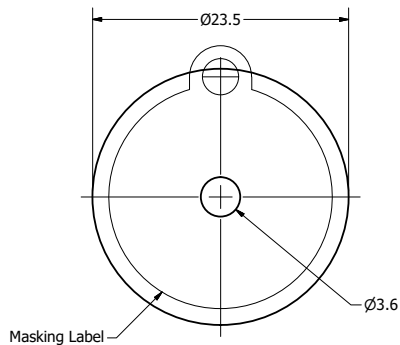
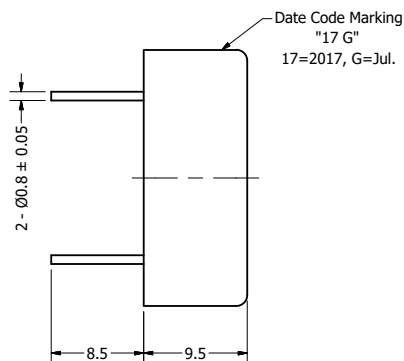


Part Number:	IP233412-1	
Description:	DRAWN	10/21/2013
	A.B.	
	CHECKED	10/21/2013
	C.E.	
	APPROVED	10/21/2013
	J.S.	
This document contains data proprietary to DB Unlimited. Any use or reproduction, in any form, without prior written permission of DB Unlimited is prohibited. All terms and conditions can be found at <a href="http://www.dbunlimitedco.com">www.dbunlimitedco.com</a>		

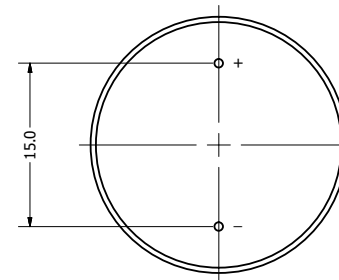
Top View



Side View



Bottom View



Items	Specifications	Conditions	REVISION HISTORY			
Sound Pressure Level	90	dB (@ 10cm)	REV	DESCRIPTION	DATE	APPROVED
Tone	Single			Released from Engineering	10/21/2013	J.S.
Resonant Frequency	3,400 ± 400	Hz	1	Show washtab, update temps, update to new template	7/5/2017	C.E.
Rated Voltage	12	V	NOTES			
Voltage Range	3 ~ 20	V				
Max. Rated Current	15	mA	1) All dimensions are in mm unless otherwise noted			
Storage Temperature	-40 ~ +85	°C	2) All tolerances are ± 0.5 mm unless otherwise noted			
Operating Temperature	-30 ~ +70	°C	3) All parts meet RoHS			
Connection Method	PC Pins		4) Subject to change or redrawn without notice			
Mount Type	Thru Hole					
Housing Material	Noryl					
Weight	4	g				