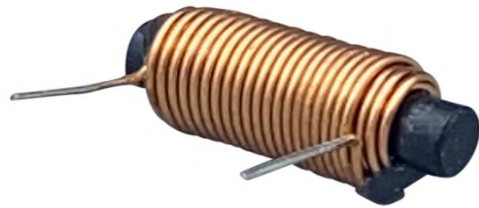




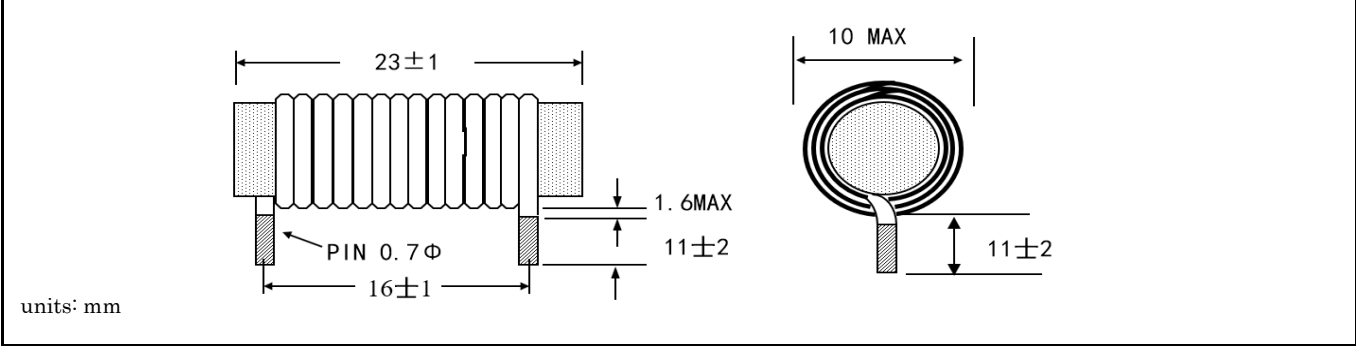
ISL Products designs and manufactures unique, application specific electromechanical components for a variety of applications and industries. If this product is not exactly what your looking for, contact us for a more suitable solution!



Contact Us for alternative solutions!

Electrical Specifications			
Inductance	1 KHz @ 0.25V	DC Resistance:	88mΩ (max.)
L (S-F):	100 uH ± 10%	Voltage Rating - DC:	3A (max.)

Dimensions



Schematic

