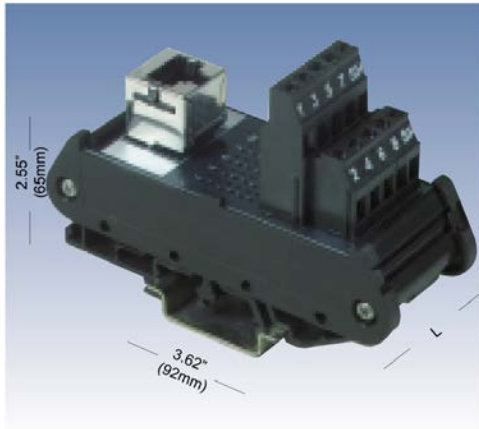
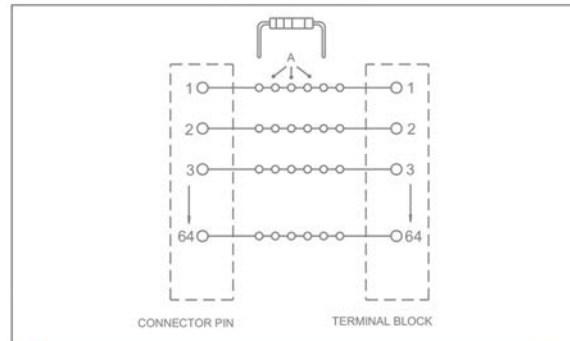


The IMRJ Series of standard interface modules provide a transition from popular multi-pin connectors, RJ11 and RJ45, to standard terminal blocks for ease of wiring. The IMRJ Series is equipped with a series of plated through holes to enable the addition of axial leaded components in a circuit. For example, filtering devices can easily be added to the IMRJ Series.



TYPICAL SCHEMATIC



Component mounting holes located on each trace at 0.1" centers allow customers to insert components in parallel or series. To place a component in series customer removes trace (A) between component mounting holes under added component. The traces are located on the bottom side of the printed circuit board.

SPECIFICATIONS	WIRE RANGE	CURRENT	VOLTAGE
Capacity	26 - 12 AWG	2 A	120 V
ORDERING INFORMATION	TYPE	CATALOG No.	LENGTH (L)
RJ connector modules,			
RJ-11	IMRJ0611	16000	1.00" (25.4mm)
RJ-45	IMRJ0845	16001	1.40" (35.6mm)
Rack and Panel connector modules,			
20-position right hand			
20-position left hand			
38-position right hand			
38-position left hand			
56-position right hand			
56-position left hand			
ACCESSORIES	TYPE	CATALOG No.	Pcs/Pkg
Panel mounting ears,	ET-PME	20373	10
End stop, width .31" (8mm)			
universal	BTU	BT005	25
35mm rail only	BT/3	BT003	25
Mounting rail, DIN (2 meter length)			
non-slotted symmetrical 35mm x 7.5mm	PR/3/AC	PR003	1
slotted symmetrical 35mm x 7.5mm	PR/3/AS	PR005	1
non-slotted symmetrical 35mm x 15mm	PR/3/PP	PR007	1
slotted symmetrical 35mm x 15mm	PR/3/PA	PR006	1