



# IB SERIES POWER ENTRY MODULE EMI FILTERS



## INTRODUCTIONS

1. Power module incorporates an IEC connector, single or double-fuse (IEC 5 x 20mm) holder, and double-pole power switch, plus an EMI filter all-in-one easy-to-install unit.
2. All part numbers are UL recognized, CSA certified and VDE approved.

## COMPONENTS

PART NO.	Cx (uF)	L (mH)	Cy(pF)	R (Ω)
01IB2D	0.22	7.5	2200	1M
01IB2S				
03IB2D		2.0		
03IB2S				
06IB2D		0.45		
06IB2S				

## MINIMUM INSERTION LOSS IN dB

COMMON MODE (L-G) IN 50 OHM SYSTEM						
CURRENT RATING	FREQUENCY-MHz					
	0.15	0.50	1.0	5.0	10	30
1A	28	40	40	35	35	25
3A	15	30	35	35	40	25
6A	8	15	20	32	40	25
DIFFERENTIAL MODE (L-G) IN 50 OHM SYSTEM						
1A	10	20	28	35	38	35
3A	8	15	20	30	35	35
6A	8	15	15	30	35	35

## TYPE & RATED CURRENT

DELTA PART NO.	01IB2D	03IB2D	06IB2D	01IB2S	03IB2S	06IB2S
RATED CURRENT	115VAC 250VAC	1A 3A	3A 6A	6A 1A	1A 3A	3A 6A
IEC CONNECTOR						
FUSE		DOUBLE		SINGLE		
•DOUBLE-POLE POWER SWITCH		DOUBLE		DOUBLE		
ELECTRICAL SCHEMATIC		FIG. A		FIG. B		

- UL, CSA, VDE approved current rating: UL/CSA-10A both at 125VAC and 250VAC; VDE-4A/250VAC.
- Electrical lifetime: 10,000 cycles.
- Maximum inrush current: 50A.

## MECHANICAL CONSTRUCTION

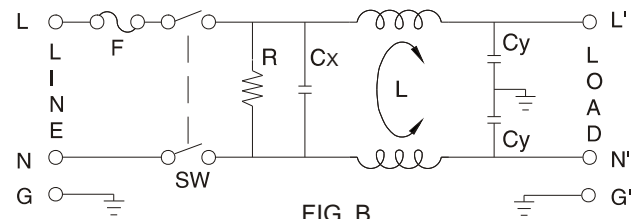
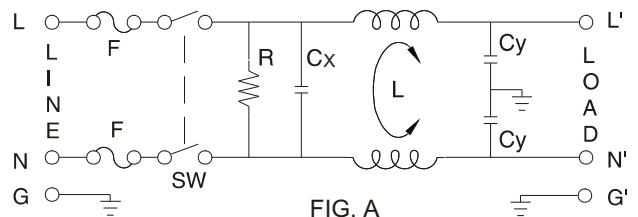


IB2D

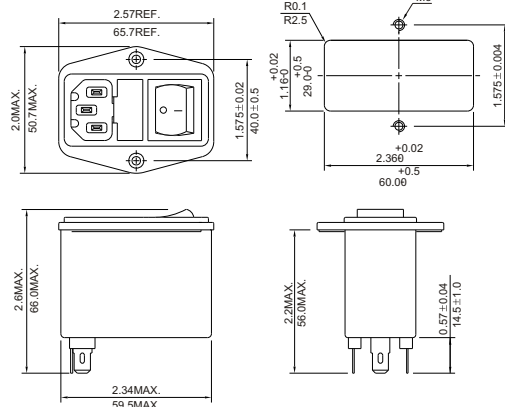
## SPECIFICATIONS

1. Maximum leakage current each line-to-ground @ 115VAC 60Hz: 0.2mA @ 250VAC 50Hz: 0.4mA
2. Hipot rating (one minute) line-to-ground: 2250VDC line-to-line: 1450VDC
3. Operating frequency: 50/60Hz
4. Rated voltage: 115/250VAC

## ELECTRICAL SCHEMATIC



SUGGESTED MOUNTING CUTOUT



UNIT: INCH/mm

POWER ENTRY MODULE FILTERS