

## I.137 | Tapered handles

Duroplast

METRIC

RoHS

PF

+230 °F  
-4 °F

### MATERIAL

Phenolic based (PF) Duroplast, black colour, glossy finish.

### STANDARD EXECUTION

Threaded blind hole.



## I.218 | Shaped handle

Duroplast

METRIC

RoHS

PF

+230 °F  
-4 °F

### MATERIAL

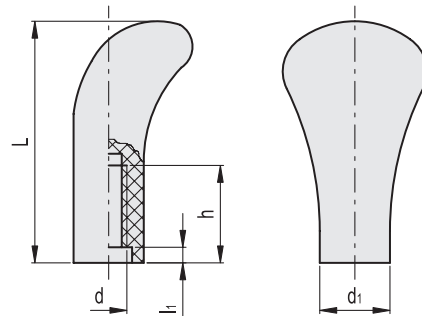
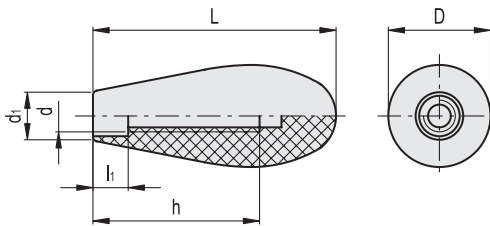
Phenolic based (PF) Duroplast, black colour, glossy finish.

### STANDARD EXECUTION

Threaded blind hole.



Conversion Table	
1 mm = 0.039 inch	
L	
mm	inch
62	2.44
69	2.72
79	3.11



Code	Description	D	L	d	d1	h	l1	⚖️
19301	I.137/70-M8	29	69	M8	14	45	10	37
19302	I.137/70-M10	29	69	M10	14	45	15	35
19401	I.137/80-M12	35	79	M12	17	55	12	60

Code	Description	L	d	d1	h	l1	⚖️
20801	I.218/60-M10	62	M10	18	25	4	32

- 1
- 2
- 3
- 4
- 5
- 6
- 7
- 8
- 9
- 10
- 11
- 12
- 13
- 14
- 15
- 16
- 17
- 18

Fixed & Revolving handles