

SUMMARY



Image is for illustrative purpose only

Wires

Coax 1

Series 03
Termination type Female solder
IP rating 68 mated (mating interface)
AWG wire size 0.00 - 0.00
Cable Ø 0.00 - 0.00 mm
Status Active

Download

[Request a quote](#)
[Catalog](#)

TECHNICAL DETAILS

Mechanics

Shell Style/Model HVP.03*: Fixed receptacle, round flange, nut fixing, vacuumtight
Keying
Housing Material Brass (chrome plated [SAE AMS 2460]) shell and collet nut, nickel plated [SAE AMS QQ N 290] brass latch sleeve and mid pieces
Variant PV : Watertight / Vacuum-tested unmated (connector to device)
Weight 4.32 g

Performance

Configuration 03.250 : 1 Coax (50 Ohm)
Insulator
Rated Current

Specifications

Contact Type: Solder

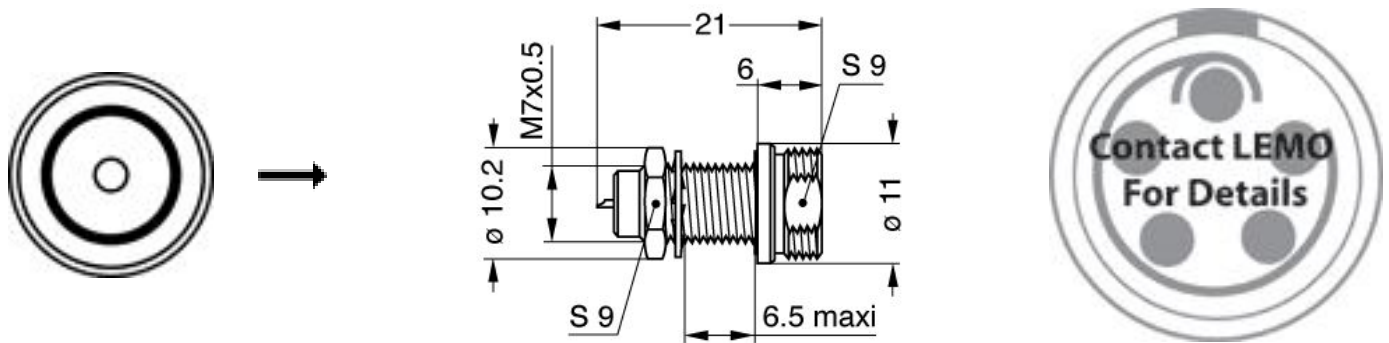
Others

Temp (min / max): -20° C / +100° C
Humidity (max): <=95% [at 60 deg C / 140 F]

LEMO products and services are provided "as is". LEMO makes no warranties or representations with regard to LEMO product & services or use of them, express, implied or statutory, including for accuracy, completeness, or security. The user is fully responsible for his products and applications using LEMO components.

Climatical Category: 20/200/21
 Shielding (min): 100 dB (10 MHz)
 Shielding (min): 80 dB (1 GHz)
 R leak (He) (max): 0.0000001 mbar*l/s (if vacuum-tested)
 Salt Spray Corrosion: >1000 hr
 Pressure: 60 bars (120 bars with LEMO cable assembly)

DRAWINGS



Dimensions

| | A | B | E | L | M | S1 | S2 | e |
|-----|------|------|------|------|------|------|------|--------|
| mm. | 11 | 10.2 | 6.5 | 21 | 6 | 9 | 9 | M7x0.5 |
| in. | 0,43 | 0,40 | 0,26 | 0,83 | 0,24 | 0,35 | 0,35 | |

RECOMMENDED BY LEMO

Tools

LEMO products and services are provided "as is". LEMO makes no warranties or representations with regard to LEMO product & services or use of them, express, implied or statutory, including for accuracy, completeness, or security. The user is fully responsible for his products and applications using LEMO components.