

PCB connector
Rated current: 10 A
Rated voltage: 300 V
Pitch: 5.08 mm
Mounting: Wave soldering

UL/CUL

Use Group	B	C	D
Rate Voltage [V]	300	-	-
Rated Current [A]	10	-	-
Wire Range [AWG]	/		
Dielectric Voltage-Withstand	1.6KV		

IEC

Overvoltage Category	III	III	II
Contamination Class	3	2	2
Rated Voltage [V]	250	320	400
Rated Current [A]	12	12	12
Impulse withstand voltage [KV]	4	4	4
Conductor cross section[solid/flexible] [mm ²]	/		

Material

Insulation Material	PA66
---------------------	------

HT508V-5.08
PLUG-IN TERMINAL BLOCK

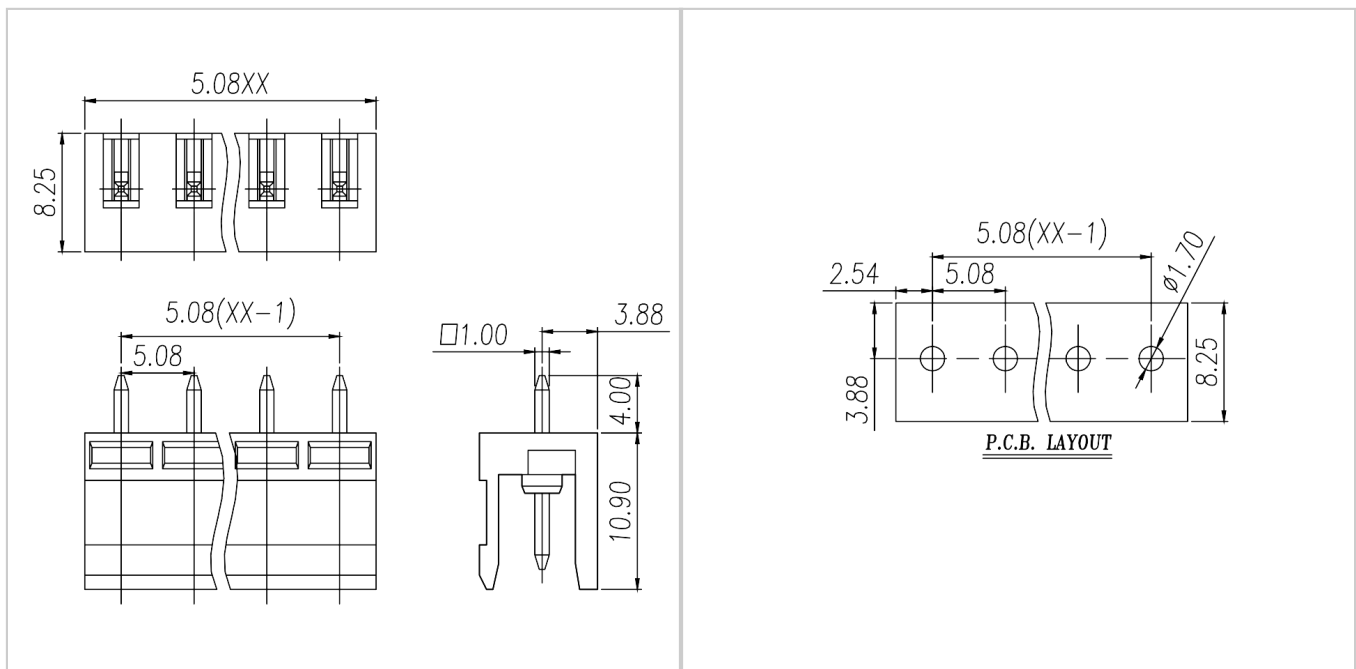
Flame retardant rating	UL94V-0
Conductor Material	Copper alloy
Plating of conductor surface	Sn plated

Other Data

Pitch/Poles [mm]/[P]	5.08/2-24
Stripping Length [mm]	/
Screw/Torque(Max)[N.m]	
Operating temperature [°C]	-40~+105
Soldering temperature	260°C/5S
Pin dimensions [mm]	1.0*1.0
PCB Hole Diameter [mm]	Ø1.7

Dimensions

PCB opening diagram



Accessories