

HT508K-5.08  
PLUG-IN TERMINAL BLOCK



PCB connector  
Rated current: 10 A  
Rated voltage: 300 V  
Wire range: 22-14 AWG  
Pitch: 5.08 mm

UL/CUL

Use Group	B	C	D
Rate Voltage [V]	300	-	-
Rated Current [A]	10	-	-
Wire Range [AWG]	22-14		
Dielectric Voltage-Withstand	1.6KV		

IEC

Overvoltage Category	III	III	II
Contamination Class	3	2	2
Rated Voltage [V]	250	320	400
Rated Current [A]	12	12	12
Impulse withstand voltage [KV]	4	4	4
Conductor cross section[solid/flexible] [mm <sup>2</sup> ]	0.2-1.5		

Material

Insulation Material	PA66
---------------------	------

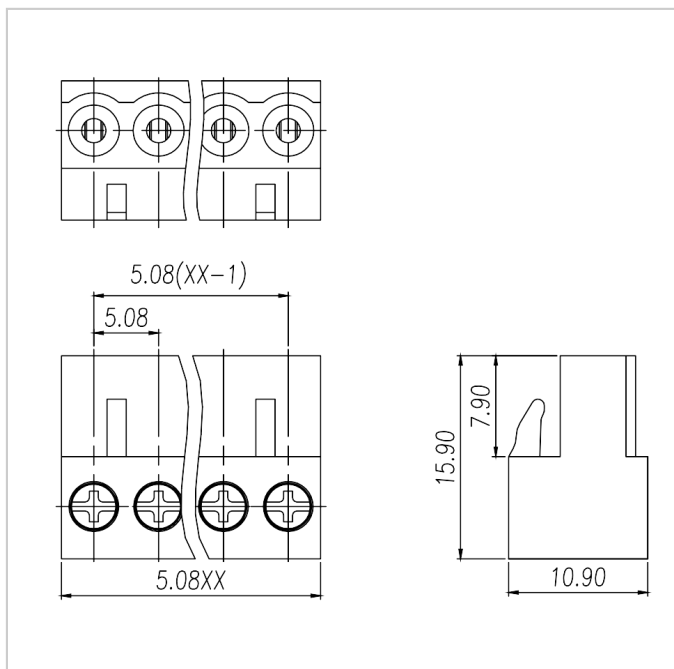
HT508K-5.08  
PLUG-IN TERMINAL BLOCK

Flame retardant rating	UL94V-0
Conductor Material	Copper alloy
Plating of conductor surface	Ni plated

Other Data

Pitch/Poles [mm]/[P]	5.08/2-24
Stripping Length [mm]	5-6
Screw/Torque(Max)[N.m]	
Operating temperature [°C]	-40~+105
Soldering temperature	/
Pin dimensions [mm]	/
PCB Hole Diameter [mm]	/

Dimensions



Accessories