

# HRF-M Series

Medium Duty Foot Switches

- Suitable for general applications (medical, beauty etc.)
- 24K gold plated built-in switch
- Various designs & functions available

## Specifications



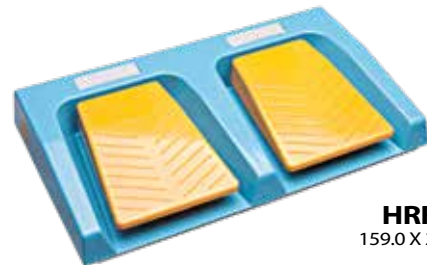
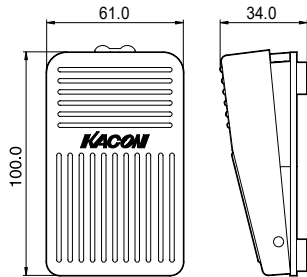
	M1	M2	MX1	MD2	MD23	MD2S	MD3	MD4	M5	M8	M52	M6
Contact	1NO	SPDT (1NO + 1NC)							1NO	1NO x 2ea		
Rated Current	16A 250VAC									5A 250VAC	16A 250VAC	
Built-in Switch	V type micro switch (UL, CUL, VDE, CE Certified) + 24K gold plated									KMS-F Molding type	V type Micro Switch (UL, cUL, CE Certified) + 24K gold plated	
Body Material	Plastic		Steel	Aluminum Die cast					Plastic			
Function	Momentary				Maintained			Momentary				
Degree of Protection	IP54								IP68		IP65	
Cable	0.75 mm <sup>2</sup> x 3 line cables x 2 m		0.5mm <sup>2</sup> x 3 lines x 2m					0.5mm <sup>2</sup> x 2 lines x 2m		0.5mm <sup>2</sup> x 4 lines x 2m		

## Plastic Housing (Unit: mm)



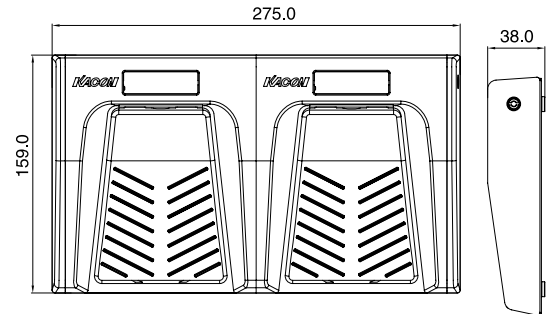
**HRF-M1**

100.0 X 61.0 X 34.0



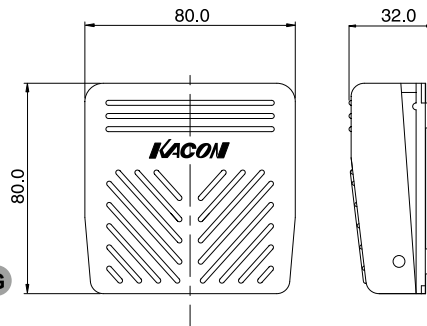
**HRF-M52**

159.0 X 275.0 X 38.0



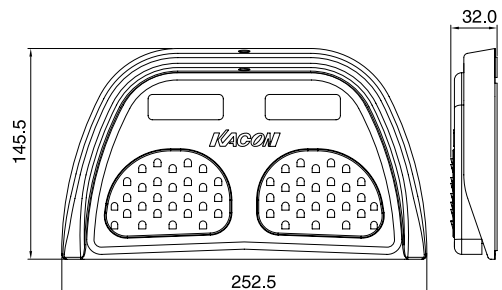
**HRF-M2**

85.0 X 80.0 X 32.0



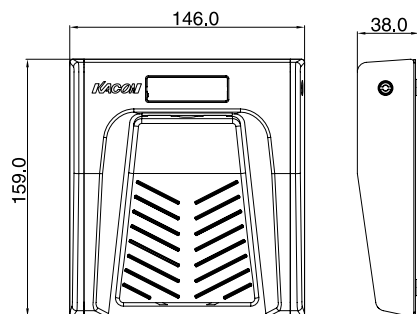
**HRF-M6**

145.0 X 252.5 X 32.0



**HRF-M5**

159.0 X 146.0 X 38.0

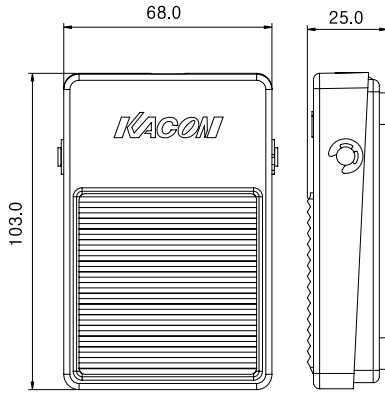


# Metal Housing

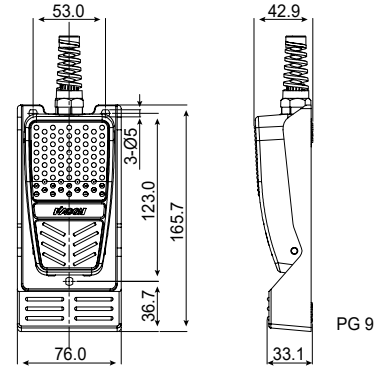
(Unit: mm)



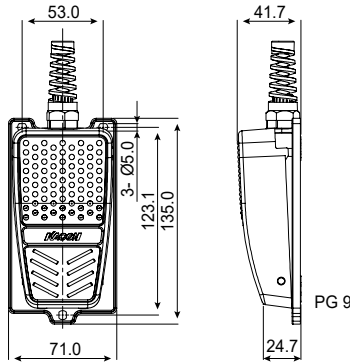
**HRF-MX1**  
103.0 X 68.0 X 25.0



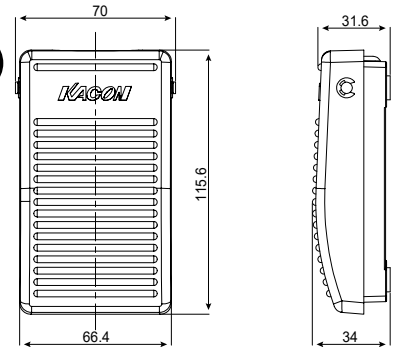
**HRF-MD2S**  
165.7 X 76.0 X 42.9



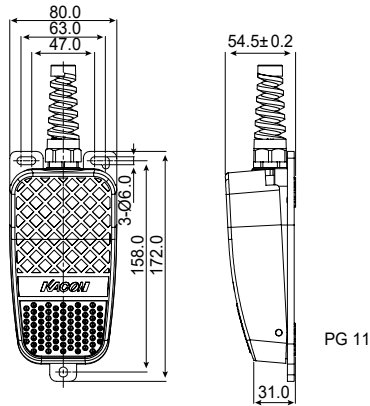
**HRF-MD2**  
**HRF-MD23 (Maintained)**  
135.0 X 71.0 X 41.7



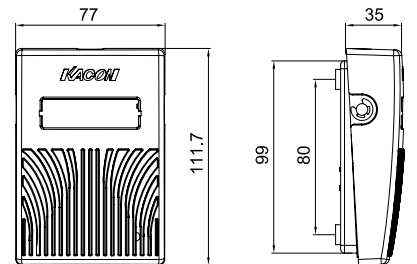
**HRF-MD4**  
115.6 X 70.0 X 34.0



**HRF-MD3**  
172.0 X 80.0 X 54.5

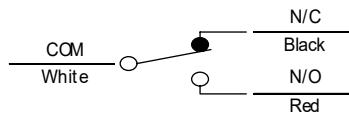


**HRF-M8**  
111.7 X 77.0 X 35.0

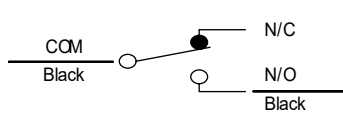


# Contact Diagram

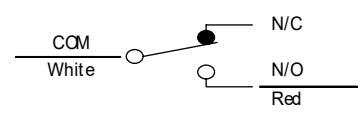
1C (1NO + 1NC)



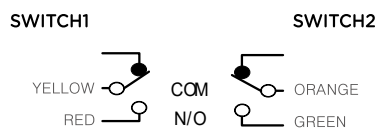
1NO(M1)



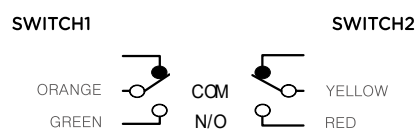
1NO(M5,M8)



1NO x 2ea (M52)



1NO x 2ea (M6)



# HRF-HD Series

Heavy Duty Foot Switches

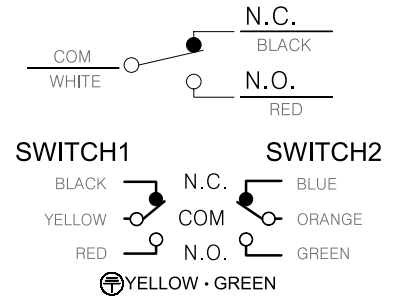
- Suitable for industrial machinery, medical etc.
- Aluminum die-casting body
- Various safety features



## Specifications

	HD3	HD3N	HD3NX	HD3LX	HD3NS	HD5NX	HD5NS	HD202P
Contact	1NO 1NC				1NO 1NC x 2ea			
Regular Current	15A 125/250VAC							
Built-in Switch	Z type Micro Switch (UL, cUL, CE certified)							
Body Material	Aluminum Die-casting							
Function	Momentary							
Degree of Protection	IP65			IP54				
Cable	1/2 In. Tap, the flexible cable can be attached (Zinc connector 10 - 16)							

## Contact Diagram

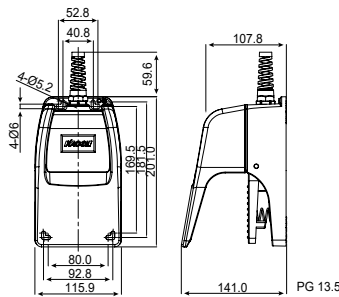


## Dimensions

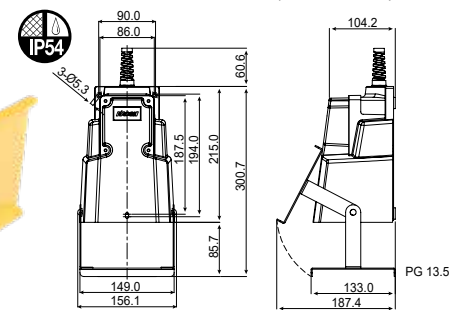
(Unit: mm)



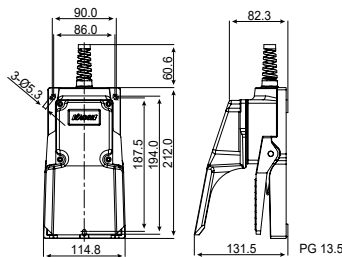
**HRF-HD3**  
201.0 X 115.9 X 141.0



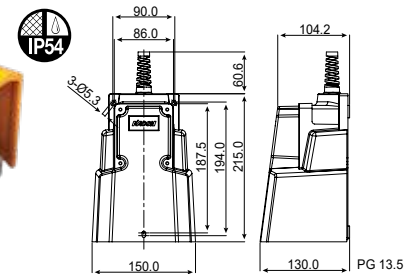
**HRF-HD3NS**  
300.7 X 156.1 X 187.4  
(W/Front Cover)



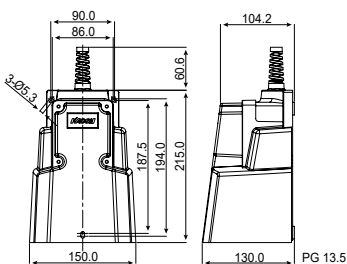
**HRF-HD3N**  
212.0 X 114.8 X 131.5



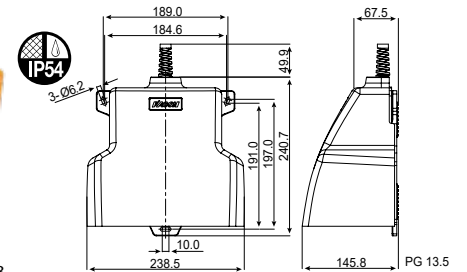
**HRF-HD3LX**  
215.0 X 150.0 X 130.0  
Safety Lock Type



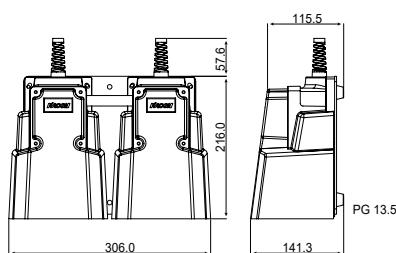
**HRF-HD3NX**  
215.0 X 150.0 X 130.0



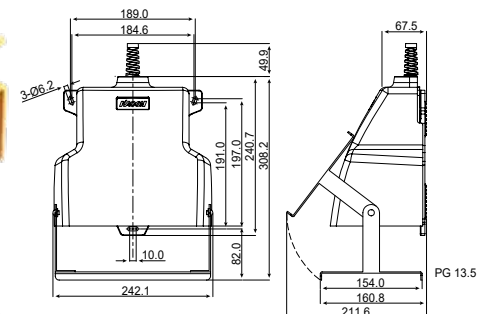
**HRF-HD5NX**  
240.7 X 238.5 X 145.8



**HRF-HD202P**  
216.0 X 306.0 X 141.3  
(CE Only)



**HRF-HD5NS**  
308.2 X 242.1 X 160.8  
(W/Front Cover)





# HRF-HD8 Series

Heavy Duty Foot Switches

- Impact resistant aluminum die-casting foot guard
- Adjustable pedal height from 20 to 45mm
- IP67 rated with silicon gasket
- 24K gold plated contacts
- Fluorescent label for safety in the dark



## Replacement Contact Block

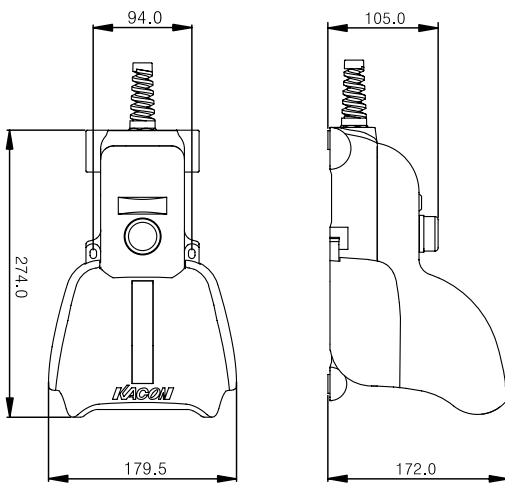
Part number	Contact Block
HD8S111	KSB1
HD8S211	KSB1-1, KSB1-2
HD8S212	
HD8S311	KSB1-A
HD8S811	SKSB1-S
HD8L811	

## Specifications

	HD8S111	HD8S211	HD8S212	HD8S311	HD8S811	HD8L811
Contact Form	1NO + 1NC		2NO	1NO + 1NC		
Operation Type	Standard	Two-Stage Type		Self-Holding Type	Safety-Reset Button	Safety-Reset Button, Anti-Misoperation Lever
Function	Momentary			Momentary/Maintained		
Body Material	Aluminum Die-casting					
Contact Ratings	Contact Material	Ag Alloy (24K Au Plated)				
	Rated Current	20A 250VAC				
	Rated Voltage	Max. 440VAC				
	Contact Resistance	Max. 50mΩ				
General Ratings	Dielectronic Strench	2,000VAC for 1 minute				
	Life Cycle	Electrical	200,000			
		Mechanical	1,000,000			
	Degree of Protection	IP67				
	Insulation Resistance	100MΩ				

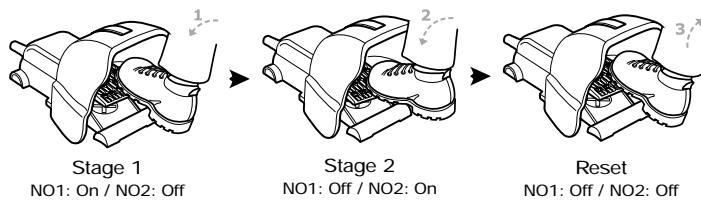
## Dimensions

(Unit: mm)

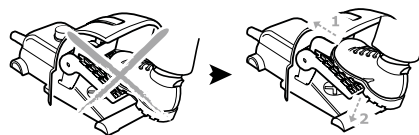


## Operation Types

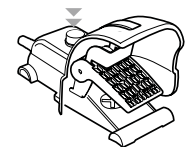
### Two-Stage Type



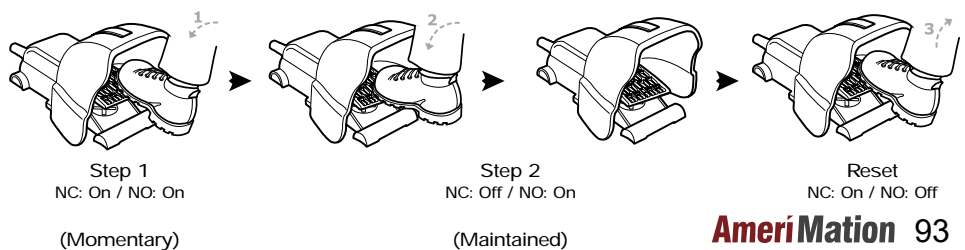
### Anti-Misoperation Lever Type



### Safety-Reset Button Type (for emergency stop)



### • Self-Holding Type (Momentary/Maintained)



## Diagram

