

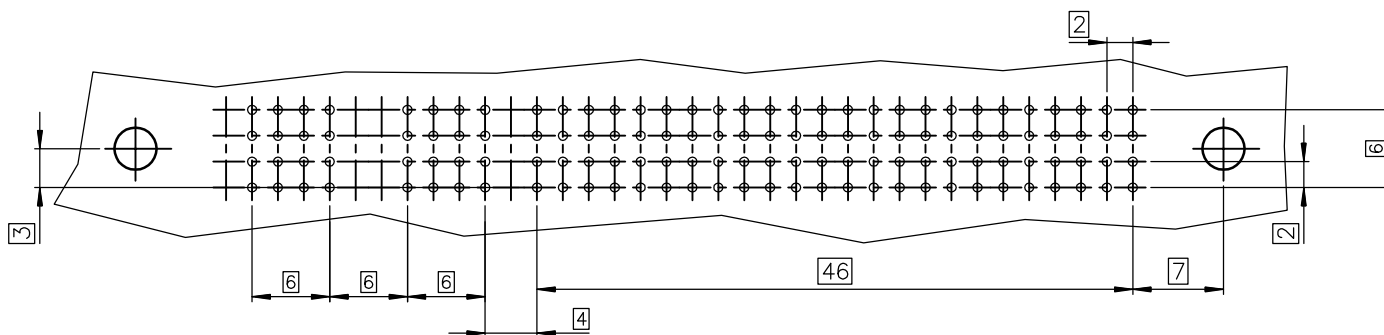
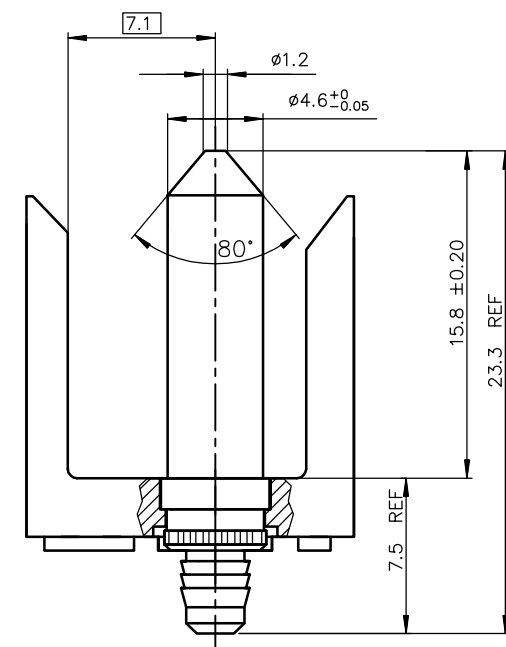
1

2

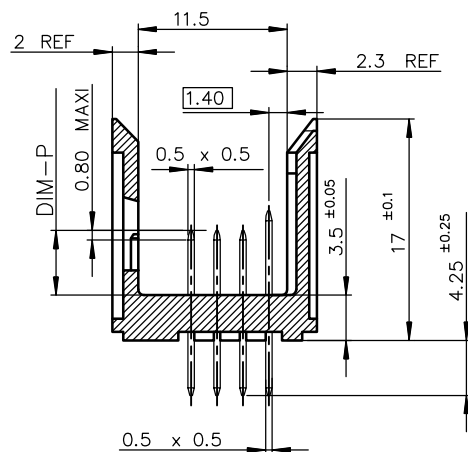
3

4

LAYOUT FOR P.C.B / CONNECTOR SIDE

DETAIL FOR GUIDE - SCALE 4/1
(SEE NOTE-1)

DETAIL FOR SIGNAL



European Views

NOTE-1: METAL GUIDES ARE INSERTED IN HOUSING BEFORE DELIVERY (FORCE FITTED)

NOTE-2: INSULATOR MATERIAL = PBT COLOUR WHITE

NOTE-3: EYE OF THE NEEDLE PRESS-FIT CTS TYPE

NOTE-4: INSERTION TOOLING IN PCB, SEE DRW C-8626-1001 + HM1 5234

NOTE-5: NUTS AND WASHERS MUST BE ORDERED SEPARATLY

NOTE-6: IF SUFFIX "P" IS ADDED IN P/N, PACKAGING IS IN TRAYS
BUT CONNECTOR MARKING IS WITHOUT "P"

EXAMPLE: HM1D44ZZR304L6P, MARKED HM1D44ZZR304L6

NOTE-7: INSPECTION DRAWING NUMBER: 10110691.

rev	ecn no	dr	date
F			

www.fcconnect.com		surface ISO 1302 <input checked="" type="checkbox"/>	tolerance std ISO 406 ISO 1101	projection 	mm ↔
TOLERANCES UNLESS OTHERWISE SPECIFIED					
Dr	ETIEMBRE	1999/02/01	ANGULAR	0.X	±0.1
Eng	LENOIR	1999/02/01	LINEAR	0.XX	±0.1
Chr	LEGARE	1999/02/01	0.XX' ±2	0.XXX	±0.1
Appr	LEGARE	1999/02/01	Product family	METRAL	Spec ref -
		title METRAL HEADER 2 GUIDE + 128 CTS		dwg no C-8626-0945	Rev. F
		catalog no		CUSTOMER	sheet 2 of 2

REV F - 2006-04-17

1

2

3

4

PDM: Rev:F

STATUS: Released

Printed: Mar 31, 2010



Copyright FCJ