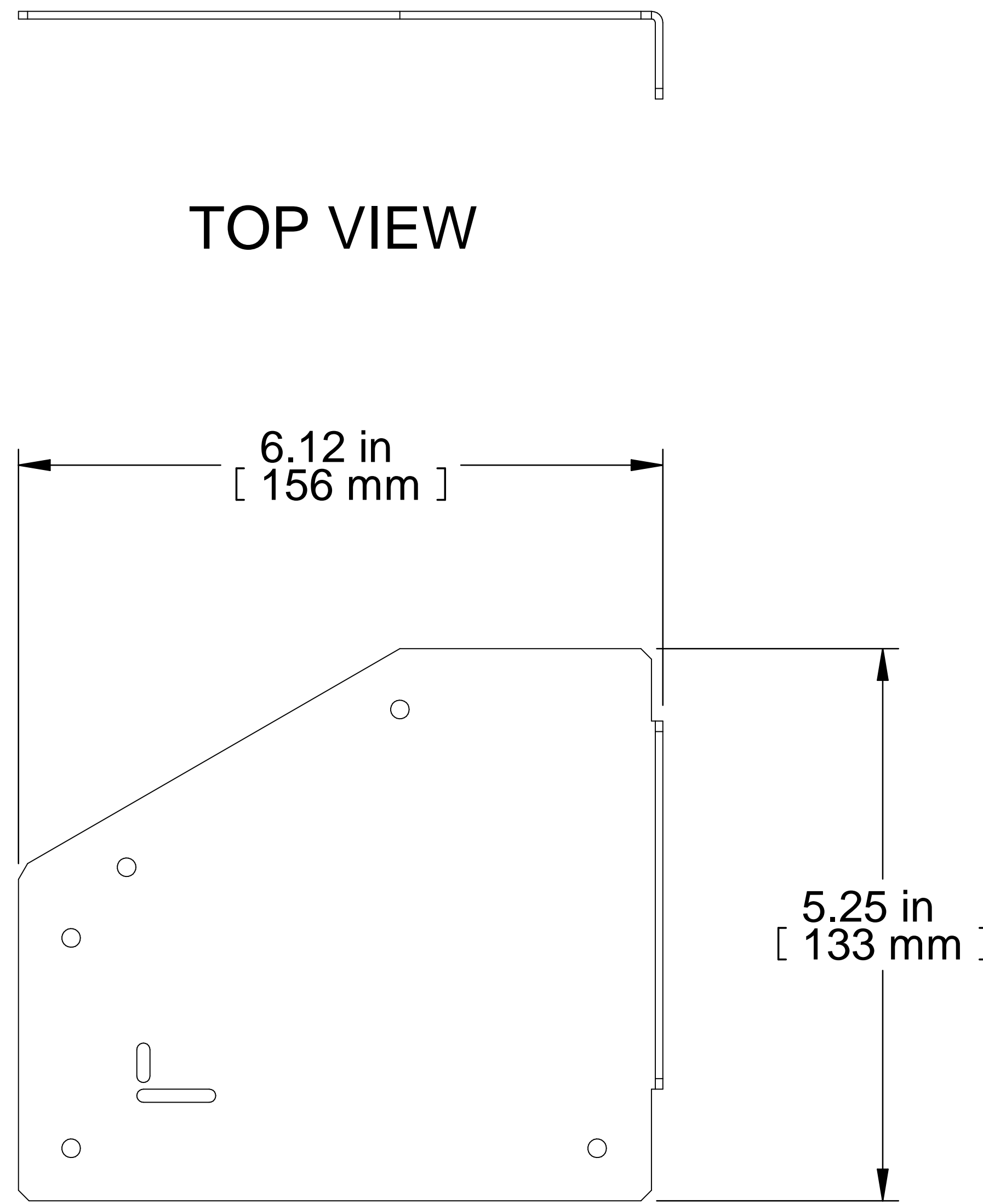
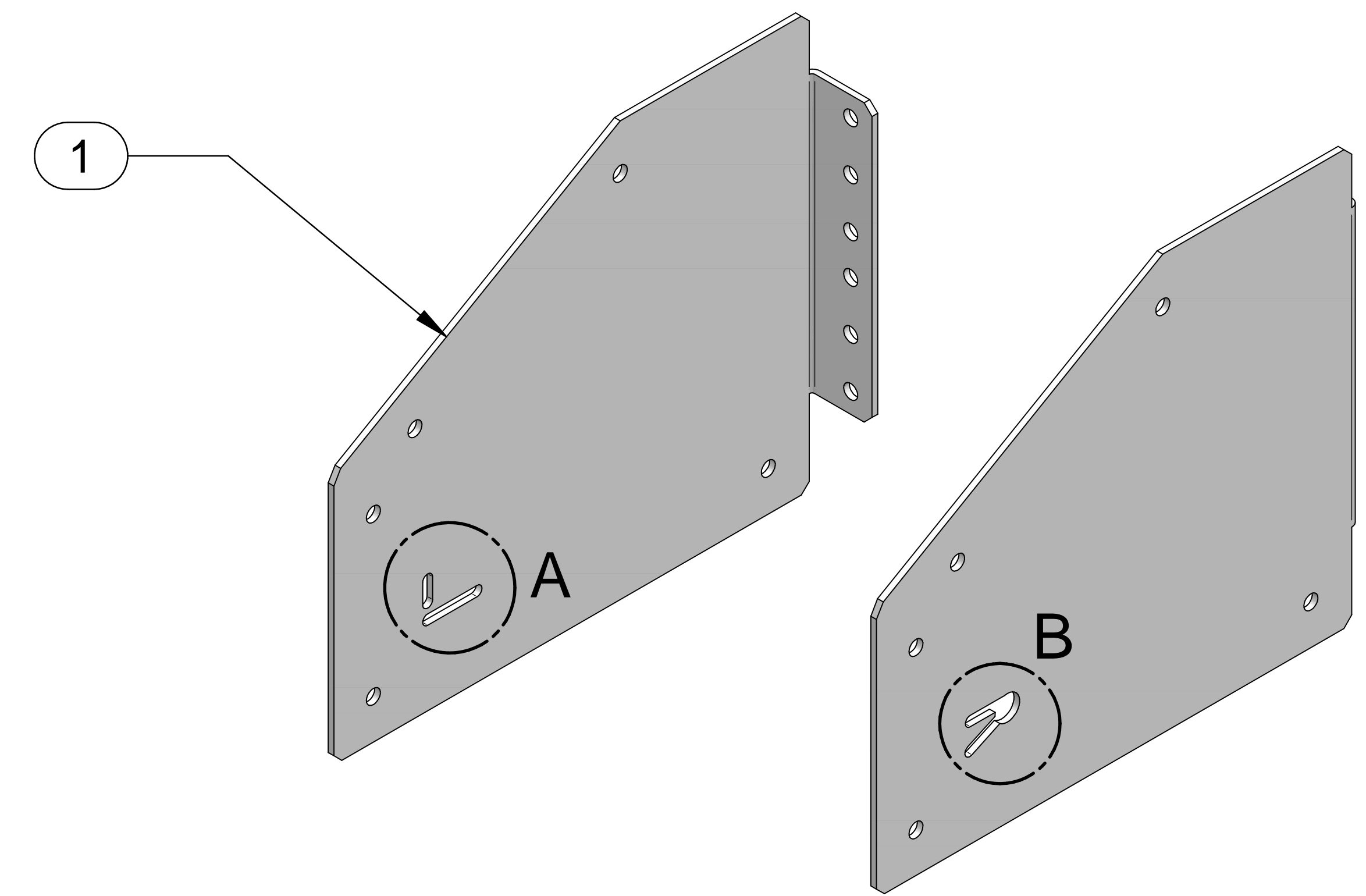


FRONT VIEW

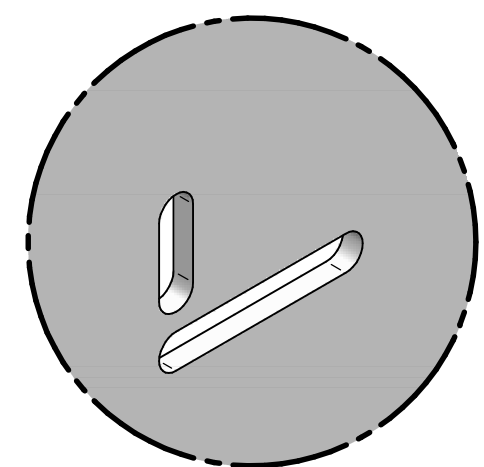


TOP VIEW

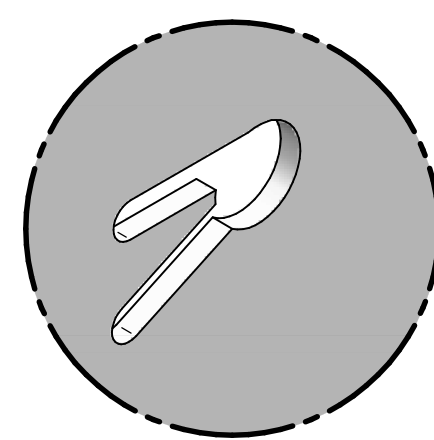
SIDE VIEW



ISOMETRIC VIEW



DETAIL A  
LEFT RAIL INDICATOR  
2:1



DETAIL B  
RIGHT RAIL INIDCATOR  
2:1



BOTTOM VIEW

Item Number	Title	Quantity
1	HLP - FIXED 90/30 DEG. RAIL (2U)	1

PART NUMBERS

HLP2UFR	PAINTED WHITE SMOOTH
---------	----------------------

NOTES

Mounting Hardware Included

Sold as a pair

See Hammond Website for More Information

Français

Pour tous les détails sur nos produits, svp veuillez consulter notre site [www.hammondmfg.com](http://www.hammondmfg.com)  
Data subject to change without notice. Isometric drawing not to scale.  
Les données sont sujettes à changement sans préavis.



[www.hammondmfg.com](http://www.hammondmfg.com)



PART NO.

HLP2UFR