

with prismatic window, technopolymer



MATERIAL

Polyamide based (PA) technopolymer, black colour, glossy finish.

PRISMATIC WINDOW

Transparent polyamide based (PA-T/AR) technopolymer. The window consists of a continuous series of prisms which provide a clear and immediate reading of the level of the oil contained in the reservoir.

PACKING RING

NBR synthetic rubber.

MAXIMUM CONTINUOUS WORKING TEMPERATURE

100°C at 3 bar pressure.

NOTE

For use with other fluids with special additives, please contact ELESA Sales Department.

ACCESSORIES ON REQUEST

Brass nut type GH. (see page 1746) for fitting to reservoirs with wall thickness smaller than 5 mm.

with prismatic window, high temperatures, technopolymer



MATERIAL

Polyamide based (PA) technopolymer, black colour, glossy finish.

PRISMATIC WINDOW

Transparent sulphonic based technopolymer. The window consists of a continuous series of prisms which provide a clear and immediate reading of the level of the oil contained in the reservoir.

PACKING RING

FKM type VITON®*.

MAXIMUM CONTINUOUS WORKING TEMPERATURE

140°C at 7 bar pressure.

NOTE

For use with other fluids with special additives, please contact ELESA Sales Department.

ACCESSORIES ON REQUEST

Brass nut type GH. (see page 1746) for fitting to reservoirs with wall thickness smaller than 5 mm.

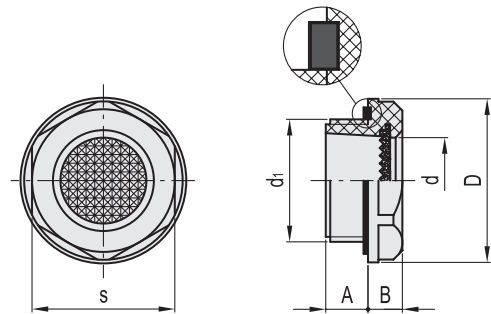
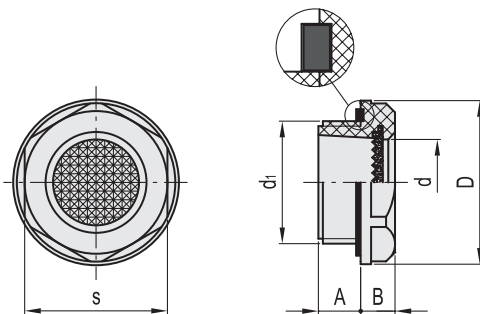
* Registered trademark by DuPont Dow Elastomers.



ELESA Original design



ELESA Original design



BSP

METRIC

Code	Description	d1	A	B	D	d	s	Tightening torque [Nm]	⚖️
14462	HGFT.13/PR-1/2-C9	G 1/2	10	8.5	28	14.5	24	6+8	5
14482	HGFT.16/PR-3/4-C9	G 3/4	9.5	8.5	35	18	32	8+10	9
14522	HGFT.21/PR-1-C9	G 1	11	9.5	42.5	23	38	10+12	14
14542	HGFT.25/PR-1¼-C9	G1 1/4	11	9	50	30	46	12+15	30

BSP

METRIC

Code	Description	d1	A	B	D	d	s	Tightening torque [Nm]	⚖️
14463-R	HGFT.13/HT-PR-1/2	G 1/2	10	8.5	28	14.5	24	6+8	5
14483-R	HGFT.16/HT-PR-3/4	G 3/4	9.5	8.5	35	18	32	8+10	9
14523-R	HGFT.21/HT-PR-1	G 1	11	9.5	42.5	23	38	10+12	14



Accessories for hydraulic systems