

## MATERIAL

Polyamide-based (PA) technopolymer, grey colour.

## PACKING RINGS

- TPE flat gasket (HFL-EF).
- NBR synthetic rubber O-Ring (HFL-ER).

## CONNECTOR WITH SENSOR BLOCK

Right side output including protection against water sprays (protection class IP 65 according to EN 60529 on page A-18).  
For a correct assembly see Warnings (see page 1789).

## DIPSTICK

AISI 304 stainless steel tube, fastened to the body by a nickel-plated brass coupler.

## FLOAT

NBR synthetic rubber.

## STANDARD EXECUTIONS

- **HFL-EF**: assembly by means of a flange with 3 holes at 120° for 3 zinc-plated steel screws with hexagon socket, supplied. It can be assembled also with 2 holes at 180°.
- **HFL-ER**: assembly by means of a 1" Gas threaded coupler.

## MAXIMUM CONTINUOUS WORKING TEMPERATURE

80° C.

## FEATURES AND APPLICATIONS

HFL-E rapid levels show a minimum or maximum default level, according to the application needs.

Highly versatile, these rapid levels allow to define the most accurate set point by simply disassembling the dipstick float and cutting the dipstick exactly where needed, according to the specifications shown in the table.

Free from magnetic parts, the float is integral to the dipstick making this level indicator ideal for use in tanks containing dirty liquids, water, oil, coolant oil, also with iron metal parts or foams. Moreover, the operation is independent of the fluid electrical conductivity.

To ensure utmost safety, the electrical components are separated from the tank and perfectly sealed by means of ultrasound welding.

## SPECIAL EXECUTIONS ON REQUEST

- Level indicators in different materials for use with particularly aggressive fluids and/or maximum working temperature up to 120°C.
- Dipsticks in different lengths and/or in AISI 316 stainless steel.
- Float with through holes to allow positioning according to different needs, avoiding cutting the dipstick.
- Double dipstick and double float manufactured for double minimum and maximum level reading.

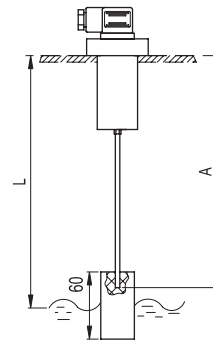
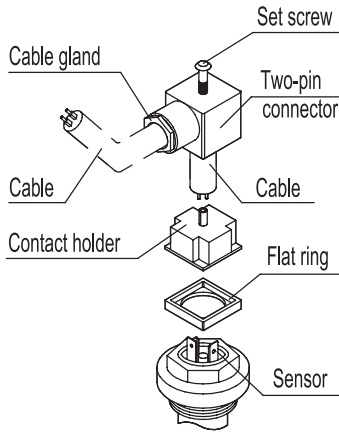


Table for cutting dipstick

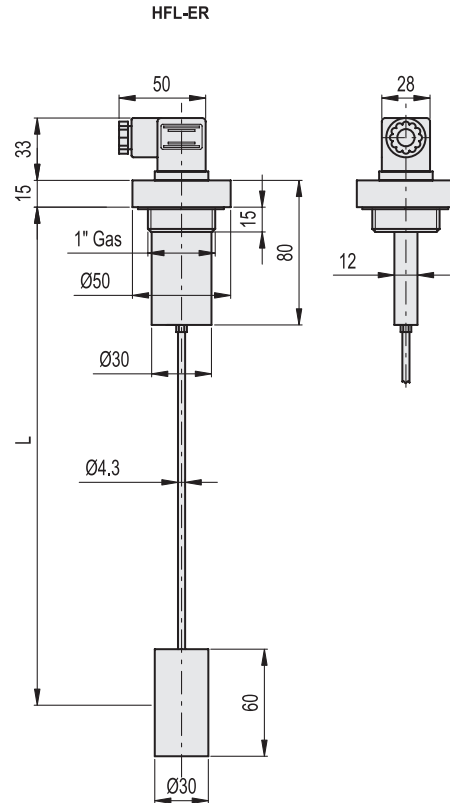
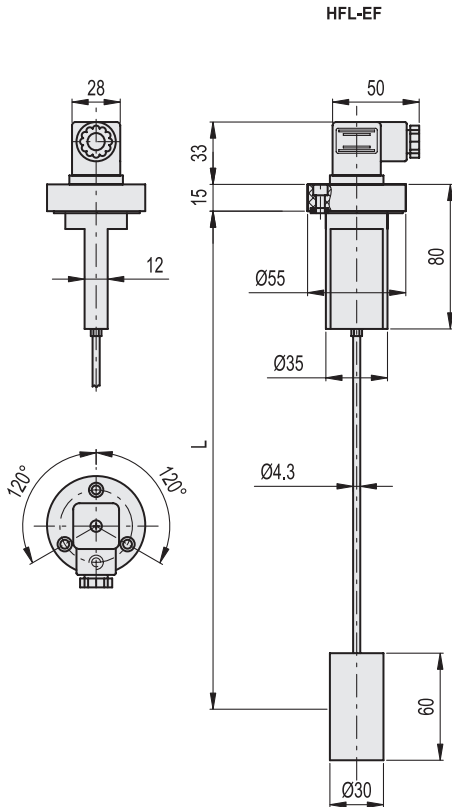
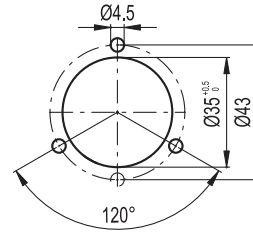
Control quote L = (mm)	Dipstick cut quote for minimum level A = (mm)
120	116
140	137
160	158
180	179
200	200
220	221
240	242
260	263
280	284
300	305
320	326
340	347
360	368
380	389
400	410
420	431
440	452
460	473
480	494
500	515



**TWO-PIN CONNECTOR ASSEMBLY INSTRUCTIONS**

1. Remove the connectors from the indicator by unscrewing the set screw placed in the bottom, take the contact holders out and loosen the cable glands.
2. Slip on the two-pole cable into the connectors (standard connectors) and connect the wires to the terminals nr. 1 and nr. 2 of the relative contact holders.
3. Assembly by pressing the contact holders into the relative connectors in the required position.
4. Screw the connectors to the indicator and then tighten the cable glands.

**Drilling template for HFL-EF**



**HFL-EF**

Code	Description	L	⚖
111281	HFL-EF-NO	500	135
111283	HFL-EF-NC	500	135

**HFL-ER**

Code	Description	L	⚖
111286	HFL-ER-NO	500	135
111288	HFL-ER-NC	500	135

**METRIC**



Accessories for hydraulic systems